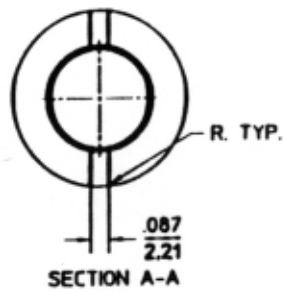
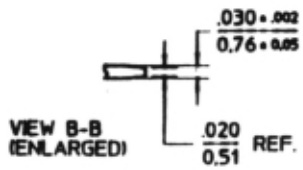
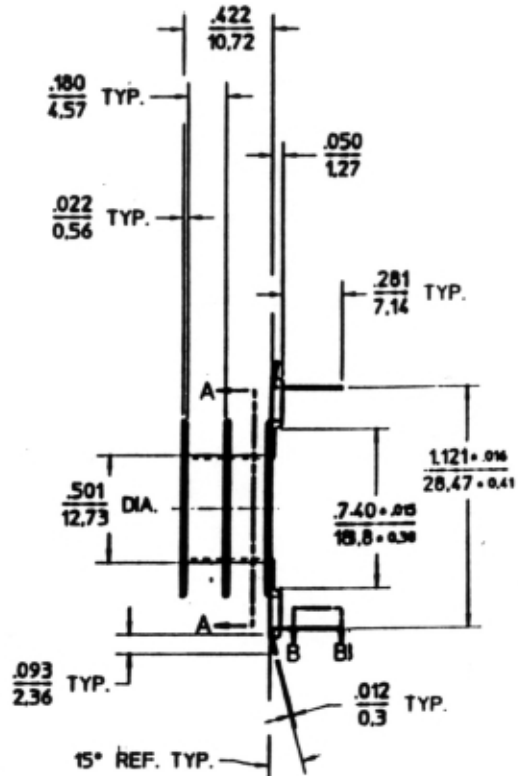
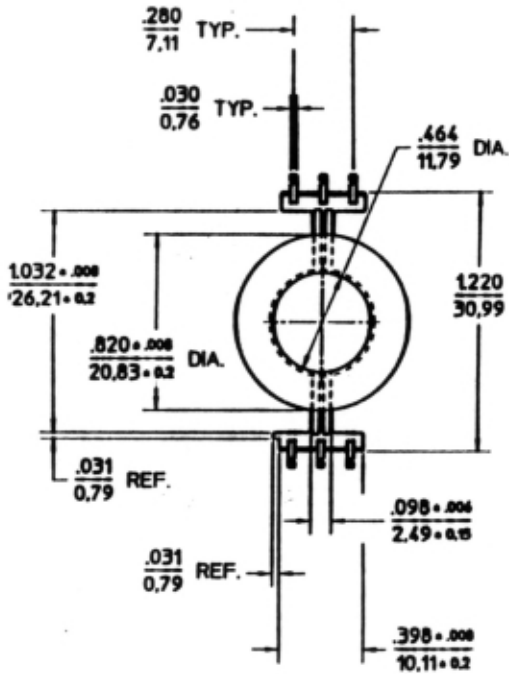


FERROXCUBE



Coilformer material: Zytel FR50 (PA), glass-reinforced
 UL file number: E41938 - UL94V-0
 Pin material: 70/30 Brass, Sn plated
 Solderability: acc. MIL-STD 202, method 208
 Mean length of turn: 2.075 inch
 Winding area: 0.028 sq inch per section

				01-06-01	
		CPV-P26/16-2S-6PDL-Z		4335 060 26611	