

## Low-power, High-performance $\Delta\Sigma$ Modulators

### Features

- ❑ Fourth-order  $\Delta\Sigma$  Architecture
- ❑ Clock-jitter-tolerant Architecture
- ❑ Input Voltage: 5 V<sub>pp</sub> Fully Differential
- ❑ Input Signal Bandwidth: DC to 2 kHz
- ❑ High Dynamic Range
  - 127 dB SNR @ 215 Hz BW (2 ms sampling)
  - 124 dB SNR @ 430 Hz BW (1 ms sampling)
- ❑ Low Total Harmonic Distortion
  - -118 dB THD typical (0.000126%)
- ❑ Low Power Consumption
  - Normal operation: 25 mW per channel
  - Power down: 10  $\mu$ W per channel
- ❑ Small Footprint, 24-pin SSOP package
- ❑ Multi-channel System Support
  - 1-channel System: CS5371A
  - 2-channel System: CS5372A
  - 3-channel System: CS5371A + CS5372A
  - 4-channel System: CS5372A + CS5372A
- ❑ Bipolar Power Supply Configuration
  - VA+ = +2.5 V; VA- = -2.5 V; VD = +3.3 V

### Description

The CS5371A and CS5372A are one- and two-channel, high-dynamic-range, fourth-order  $\Delta\Sigma$  modulators intended for geophysical and sonar applications. When combined with CS3301A / CS3302A differential amplifiers, the CS4373A test DAC and CS5376A digital filter, a small, low-power, self-testing, high-accuracy, multi-channel measurement system results.

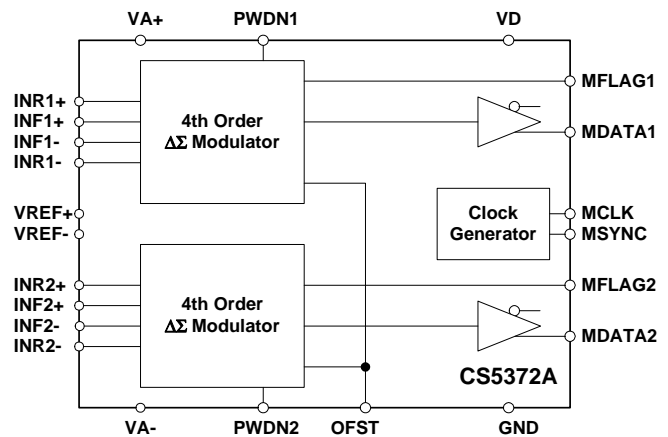
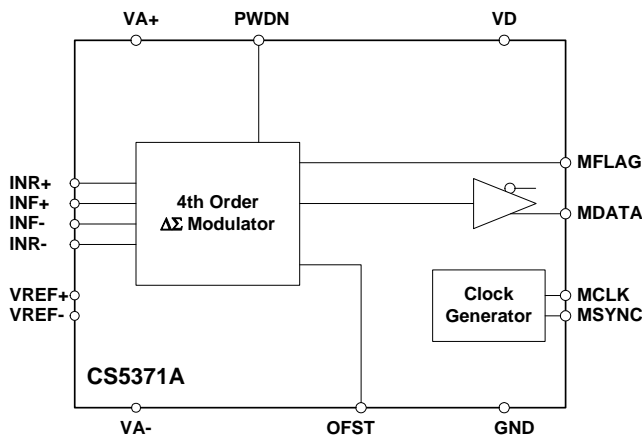
The modulators have high dynamic range and low total harmonic distortion with very low power consumption. They convert differential analog input signals from the CS3301A / CS3302A amplifiers to an oversampled serial bit stream at 512 kbits per second. This oversampled bit stream is then decimated by the CS5376A digital filter to a 24-bit output at the selected output word rate.

In normal operation, power consumption is 5 mA per channel. Each modulator can be independently powered down to 500  $\mu$ A per channel, and by halting the input clock they will enter a micro-power state using only 2  $\mu$ A per channel.

The CS5371A and CS5372A modulators are available in small 24-pin SSOP packages, providing exceptional performance in a very small footprint.

### ORDERING INFORMATION

See [page 31](#).



**TABLE OF CONTENTS**

|   |           |
|---|-----------|
| <b>1. CHARACTERISTICS AND SPECIFICATIONS .....</b>                        | <b>4</b>  |
| SPECIFIED OPERATING CONDITIONS .....                                      | 4         |
| ABSOLUTE MAXIMUM RATINGS .....  | 4         |
| TEMPERATURE CONDITIONS .....  | 5         |
| ANALOG INPUT CHARACTERISTICS .....  | 5         |
| PERFORMANCE CHARACTERISTICS .....   | 7         |
| PERFORMANCE PLOTS .....   | 9         |
| DIGITAL CHARACTERISTICS .....   | 10        |
| POWER SUPPLY CHARACTERISTICS .....  | 13        |
| <b>2. SYSTEM DIAGRAM .....</b>  | <b>14</b> |
| <b>3. MODULATOR OPERATION .....</b>                                       | <b>15</b> |
| 3.1 One's Density .....   | 15        |
| 3.2 Decimated 24-bit Output .....   | 16        |
| 3.3 Synchronization .....   | 16        |
| 3.4 Idle Tones .....  | 16        |
| 3.5 Stability .....   | 16        |
| <b>4. ANALOG SIGNALS .....</b>  | <b>17</b> |
| 4.1 INR $\pm$ , INF $\pm$ Modulator Inputs .....                          | 17        |
| 4.2 Input Impedance .....   | 17        |
| 4.3 Anti-alias Filter .....   | 18        |
| 4.4 Analog Differential Signals .....                                     | 18        |
| <b>5. DIGITAL SIGNALS .....</b>   | <b>19</b> |
| 5.1 MCLK Connection .....   | 19        |
| 5.2 MSYNC Connection .....  | 19        |
| 5.3 MDATA Connection .....  | 20        |
| 5.4 MFLAG Connection .....  | 20        |
| 5.5 OFST Connection .....   | 20        |
| <b>6. POWER MODES .....</b>   | <b>21</b> |
| 6.1 Normal Operation .....  | 21        |
| 6.2 Power Down, MCLK Enabled .....  | 21        |
| 6.3 Power Down, MCLK Disabled .....                                       | 21        |
| <b>7. VOLTAGE REFERENCE .....</b>   | <b>22</b> |
| 7.1 VREF Power Supply .....   | 22        |
| 7.2 VREF RC Filter .....  | 22        |
| 7.3 VREF PCB Routing .....  | 22        |
| 7.4 VREF Input Impedance .....  | 22        |
| 7.5 VREF Accuracy .....   | 23        |
| <b>8. POWER SUPPLIES .....</b>  | <b>24</b> |
| 8.1 Power Supply Bypassing .....  | 24        |
| 8.2 PCB Layers and Routing .....  | 24        |
| 8.3 Power Supply Rejection .....  | 24        |
| 8.4 SCR Latch-up Considerations .....                                     | 25        |
| 8.5 DC-DC Converters .....  | 25        |
| <b>9. PIN DESCRIPTION - CS5371A .....</b>                                 | <b>26</b> |
| <b>10. PIN DESCRIPTION - CS5372A .....</b>                                | <b>28</b> |
| <b>11. PACKAGE DIMENSIONS .....</b>                                       | <b>30</b> |
| <b>12. ORDERING INFORMATION .....</b>                                     | <b>31</b> |
| <b>13. ENVIRONMENTAL, MANUFACTURING, &amp; HANDLING INFORMATION .....</b> | <b>31</b> |
| <b>14. REVISION HISTORY .....</b>   | <b>32</b> |

---

**LIST OF FIGURES**

|  |    |
|--|----|
| Figure 1. Anti-alias Filter Components .....                     | 6  |
| Figure 2. Modulator Noise Performance .....                      | 9  |
| Figure 3. Modulator + CS4373A Test DAC Dynamic Performance ..... | 9  |
| Figure 4. Digital Input Rise and Fall Times .....                | 10 |
| Figure 5. Digital Output Rise and Fall Times .....               | 10 |
| Figure 6. System Timing Diagram.....                             | 12 |
| Figure 7. MCLK / MSYNC Timing Detail .....                       | 12 |
| Figure 9. Connection Diagram .....                               | 14 |
| Figure 8. System Block Diagram.....                              | 14 |
| Figure 10. CS5371A and CS5372A Block Diagrams .....              | 15 |
| Figure 11. Analog Signals .....                                  | 17 |
| Figure 12. Digital Signals .....                                 | 19 |
| Figure 13. Power Mode Diagram .....                              | 21 |
| Figure 14. Voltage Reference Circuit.....                        | 22 |
| Figure 15. Power Supply Diagram .....                            | 24 |

**LIST OF TABLES**

|   |    |
|---|----|
| Table 1. 24-Bit Output Coding for the CS5371A / CS5372A / CS5376A Combination ..... | 16 |
|---|----|

## 1. CHARACTERISTICS AND SPECIFICATIONS

- Min / Max characteristics and specifications are guaranteed over the *Specified Operating Conditions*.
- Typical performance characteristics and specifications are measured at nominal supply voltages and  $T_A = 25^\circ\text{C}$ .
- GND = 0 V. Single-ended voltages with respect to GND, differential voltages with respect to opposite half.
- Device is connected as shown in [Figure 9 on page 14](#) unless otherwise noted.

### SPECIFIED OPERATING CONDITIONS

| Parameter                                       | Symbol | Min   | Nom   | Max   | Unit             |
|---|--------|-------|-------|-------|------------------|
| <b>Bipolar Power Supplies</b>                   |        |       |       |       |                  |
| Positive Analog $\pm 2\%$                       | VA+    | 2.45  | 2.50  | 2.55  | V                |
| Negative Analog (Note 1) $\pm 2\%$              | VA-    | -2.45 | -2.50 | -2.55 | V                |
| Positive Digital $\pm 3\%$                      | VD     | 3.20  | 3.30  | 3.40  | V                |
| <b>Voltage Reference</b>                        |        |       |       |       |                  |
| [VREF+] - [VREF-] (Note 2, 3)                   | VREF   | -     | 2.500 | -     | V                |
| VREF- (Note 4)                                  | VREF-  | -     | VA -  | -     | V                |
| <b>Thermal</b>                                  |        |       |       |       |                  |
| Ambient Operating Temperature Industrial (-ISZ) | $T_A$  | -40   | 25    | 85    | $^\circ\text{C}$ |

- Notes:
1. VA- must always be the most-negative input voltage to avoid potential SCR latch-up conditions.
  2. By design, a 2.500 V voltage reference input results in the best signal-to-noise performance.
  3. Channel-to-channel gain accuracy is directly proportional to the voltage reference absolute accuracy.
  4. VREF inputs must satisfy:  $VA- \leq VREF- < VREF+ \leq VA+$ .

### ABSOLUTE MAXIMUM RATINGS

| Parameter  | Symbol             | Min         | Max         | Parameter        |   |
|--|--------------------|-------------|-------------|------------------|---|
| DC Power Supplies                                  | Positive Analog    | VA+         | -0.5        | 6.8              | V |
|  | Negative Analog    | VA-         | -6.8        | 0.5              | V |
|  | Digital            | VD          | -0.5        | 6.8              | V |
| Analog Supply Differential (VA+) - (VA-)           | VA <sub>DIFF</sub> | -           | 6.8         | V                |   |
| Digital Supply Differential (VD) - (VA-)           | VD <sub>DIFF</sub> | -           | 6.8         | V                |   |
| Input Current, Power Supplies (Note 5)             | I <sub>PWR</sub>   | -           | $\pm 50$    | mA               |   |
| Input Current, Any Pin Except Supplies (Note 5, 6) | I <sub>IN</sub>    | -           | $\pm 10$    | mA               |   |
| Output Current (Note 5)                            | I <sub>OUT</sub>   | -           | $\pm 25$    | mA               |   |
| Power Dissipation                                  | PDN                | -           | 500         | mW               |   |
| Analog Input Voltages                              | V <sub>INA</sub>   | (VA-) - 0.5 | (VA+) + 0.5 | V                |   |
| Digital Input Voltages                             | V <sub>IND</sub>   | -0.5        | (VD) + 0.5  | V                |   |
| Storage Temperature Range                          | T <sub>STG</sub>   | -65         | 150         | $^\circ\text{C}$ |   |

WARNING: Operation at or beyond these limits may result in permanent damage to the device.  
Normal operation is not guaranteed at these extremes.

- Notes:
5. Transient currents up to  $\pm 100$  mA will not cause SCR latch-up.
  6. Includes continuous over-voltage conditions at the modulator analog input pins.

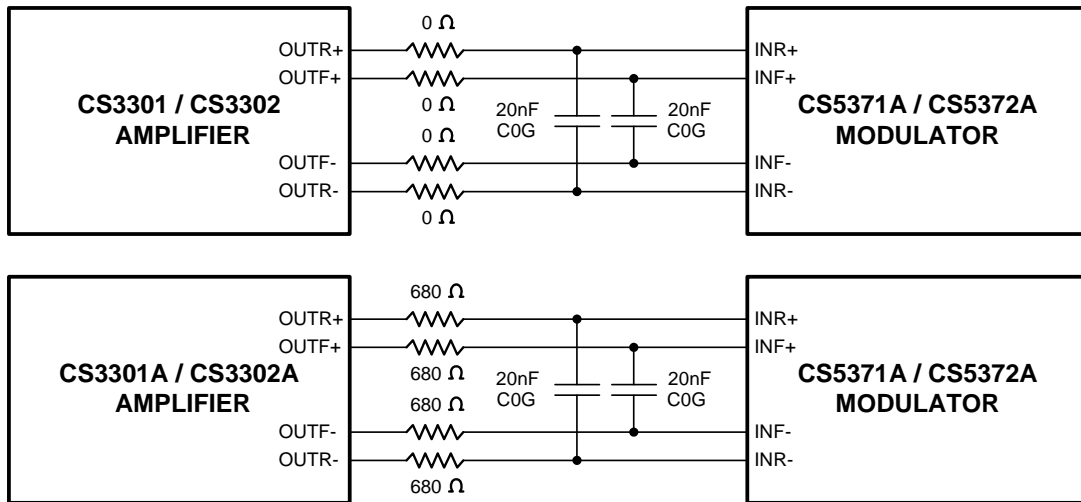
## TEMPERATURE CONDITIONS

| Parameter   | Symbol               | Min | Typ | Max | Unit                          |
|---|----------------------|-----|-----|-----|-------------------------------|
| Ambient Operating Temperature                       | $T_A$                | -40 | -   | 85  | $^{\circ}\text{C}$            |
| Storage Temperature Range                           | $T_{\text{STR}}$     | -65 | -   | 150 | $^{\circ}\text{C}$            |
| Allowable Junction Temperature                      | $T_{\text{JCT}}$     | -   | -   | 125 | $^{\circ}\text{C}$            |
| Junction to Ambient Thermal Impedance (4-layer PCB) | $\theta_{\text{JA}}$ | -   | 65  | -   | $^{\circ}\text{C} / \text{W}$ |

## ANALOG INPUT CHARACTERISTICS

| Parameter  | Symbol                   | Min                        | Typ   | Max | Unit                       |            |
|--|--------------------------|----------------------------|-------|-----|----------------------------|------------|
| <b>VREF Input</b>  |                          |                            |       |     |                            |            |
| [VREF+] - [VREF-] (Note 2, 3)                                    | VREF                     | -                          | 2.500 | -   | V                          |            |
| VREF- (Note 4)   | VREF-                    | -                          | VA -  | -   | V                          |            |
| VREF Input Current   | $VREF_{\text{IMOD}}$     | -                          | 120   | -   | $\mu\text{A}$              |            |
| VREF Input Noise (Note 7)  | $VREF_{\text{IN}}$       | -                          | -     | 1   | $\mu\text{V}_{\text{rms}}$ |            |
| <b>Modulator INR<math>\pm</math>, INF<math>\pm</math> Inputs</b> |                          |                            |       |     |                            |            |
| External Anti-alias Filter (Note 8)                              | Series Resistance        | $R_{\text{AA}}$            | -     | 680 | -                          | $\Omega$   |
|  | Differential Capacitance | $C_{\text{DIFF}}$          | -     | 20  | -                          | nF         |
| Differential Input Impedance                                     | INR $\pm$                | $Z\text{DIF}_{\text{INR}}$ | -     | 20  | -                          | k $\Omega$ |
|  | INF $\pm$                | $Z\text{DIF}_{\text{INF}}$ | -     | 1   | -                          | M $\Omega$ |
| Single-ended Input Impedance                                     | INR $\pm$                | $Z\text{SE}_{\text{INR}}$  | -     | 40  | -                          | k $\Omega$ |
|  | INF $\pm$                | $Z\text{SE}_{\text{INF}}$  | -     | 2   | -                          | M $\Omega$ |

- Notes: 7. Maximum integrated noise over the measurement bandwidth for the voltage reference device attached to the VREF $\pm$  inputs.
8. Anti-alias capacitors are discrete external components and must be of good quality (C0G, NPO, poly). Poor quality capacitors will degrade total harmonic distortion (THD) performance. See [Figure 1 on page 6](#)



**Figure 1. Anti-alias Filter Components**

**PERFORMANCE CHARACTERISTICS**

| Parameter   | Symbol                 | Min       | Typ       | Max        | Unit     |    |
|---|------------------------|-----------|-----------|------------|----------|----|
| <b>Signal Characteristics</b>                               |                        |           |           |            |          |    |
| Input Signal Frequencies (Note 9, 10)                       | $V_{BW}$               | DC        | -         | 2000       | Hz       |    |
| Full-scale Differential AC Input (Note 9)                   | $V_{AC}$               | -         | -         | 5          | $V_{pp}$ |    |
| Full-scale Differential DC Input (Note 9)                   | $V_{DC}$               | -2.5      | -         | 2.5        | V        |    |
| Input Common Mode Voltage (Note 11)                         | $V_{CM}$               | -         | (VA-)+2.5 | -          | V        |    |
| Input Voltage Range ( $V_{cm} \pm \text{Signal}$ ) (Note 9) | $V_{RNG}$              | (VA-)+0.7 | -         | (VA+)-1.25 | V        |    |
| <b>Dynamic Performance</b>                                  |                        |           |           |            |          |    |
| Dynamic Range (Note 10, 12)                                 | (1/4 ms) DC to 1720 Hz | SNR       | -         | 109        | -        | dB |
|   | (1/2 ms) DC to 860 Hz  |           | -         | 121        | -        | dB |
|   | (1 ms) DC to 430 Hz    |           | 121       | 124        | -        | dB |
|   | (2 ms) DC to 215 Hz    |           | -         | 127        | -        | dB |
|   | (4 ms) DC to 108 Hz    |           | -         | 130        | -        | dB |
|   | (8 ms) DC to 54 Hz     |           | -         | 133        | -        | dB |
|   | (16 ms) DC to 27 Hz    |           | -         | 136        | -        | dB |
| Signal-dependent Noise (Note 13, 14)                        | (1 ms) DC to 430 Hz    | SDN       | 100       | 110        | -        | dB |
| Total Harmonic Distortion (Note 14)                         | THD                    | -         | -118      | -112       | dB       |    |
| Linearity (Note 14)   | LIN                    | -         | 0.000126  | 0.000251   | %        |    |
| Total Harmonic Distortion (Note 15)                         | THD                    | -         | -110      | -          | dB       |    |
| Linearity (Note 15)   | LIN                    | -         | 0.000316  | -          | %        |    |
| Common Mode Rejection Ratio                                 | CMRR                   | -         | 110       | -          | dB       |    |
| Channel Crosstalk (CS5372A only)                            | CXT                    | -         | -150      | -          | dB       |    |

Notes: 9. Guaranteed by design and/or characterization.

10. The upper bandwidth limit is determined by the digital filter cut-off frequency.

11. Common mode voltage is defined as the mid-point of the differential signal.

12. Dynamic Range defined as  $20 \log [ (\text{RMS full scale}) / (\text{RMS idle noise}) ]$  where idle noise is measured from a CS3301A / CS3302A amplifier terminated input at 1x gain.

13. Signal-dependent Noise defined as  $20 \log [ (\text{RMS full scale}) / (\text{RMS signal noise}) ]$  where signal noise is measured by subtracting out the signal power at the fundamental and harmonic frequencies.

14. Tested with a 31.25 Hz sine wave at -1 dB amplitude and  $V_{cm} = (VA-) + 2.50V$ .

15. Characterized with a 31.25 Hz sine wave at -1 dB amplitude and  $V_{cm} = (VA-) + 2.35V$ . This corresponds to the output  $V_{cm}$  of the CS4373A test DAC.

**PERFORMANCE CHARACTERISTICS (CONT.)**

| Parameter                                    | Symbol              | Min | Typ | Max | Unit   |
|--|---------------------|-----|-----|-----|--------|
| <b>Gain Accuracy</b>                         |                     |     |     |     |        |
| Channel to Channel Gain Accuracy (Note 3)    | GA                  | -   | ±1  | ±2  | %      |
| Channel Gain Drift (Note 16)                 | GA <sub>TC</sub>    | -   | 22  | -   | ppm/°C |
| <b>Offset</b>                                |                     |     |     |     |        |
| Offset Voltage, Differential (OFST = 0)      | OFST                | -   | ±1  | -   | mV     |
| Offset Voltage, CS5371A (OFST = 1)           | OFST                | -   | -60 | -   | mV     |
| Offset Voltage, CS5372A channel 1 (OFST = 1) | OFST                | -   | -60 | -   | mV     |
| Offset Voltage, CS5372A channel 2 (OFST = 1) | OFST                | -   | -35 | -   | mV     |
| Offset after Calibration (Note 17)           | OFST <sub>CAL</sub> | -   | ±1  | -   | µV     |
| Offset Calibration Range (Note 18)           | OFST <sub>RNG</sub> | -   | 100 | -   | %FS    |
| Offset Voltage Drift (Note 16)               | OFST <sub>TC</sub>  | -   | 300 | -   | nV/°C  |

Notes: 16. Specification is for the parameter over the specified temperature range and is for the device only. It does not include the effects of external components.

17. Specification applies to the effective offset voltage calculated from the output codes of the digital filter following offset calibration and correction.

18. Offset calibration is performed in the digital filter and includes the full-scale signal range.



## PERFORMANCE PLOTS

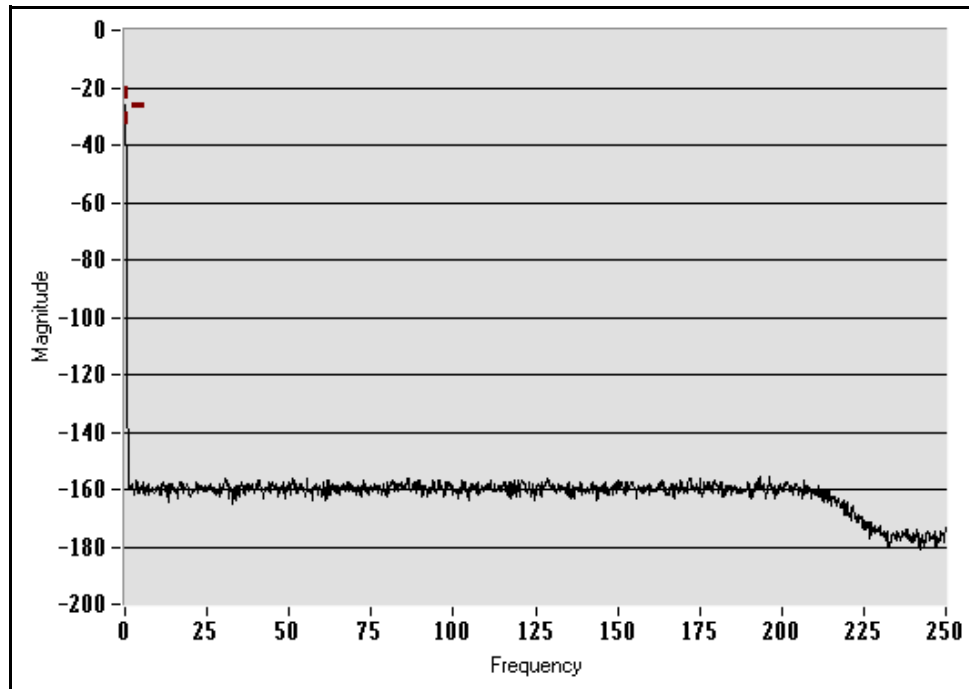


Figure 2. Modulator Noise Performance

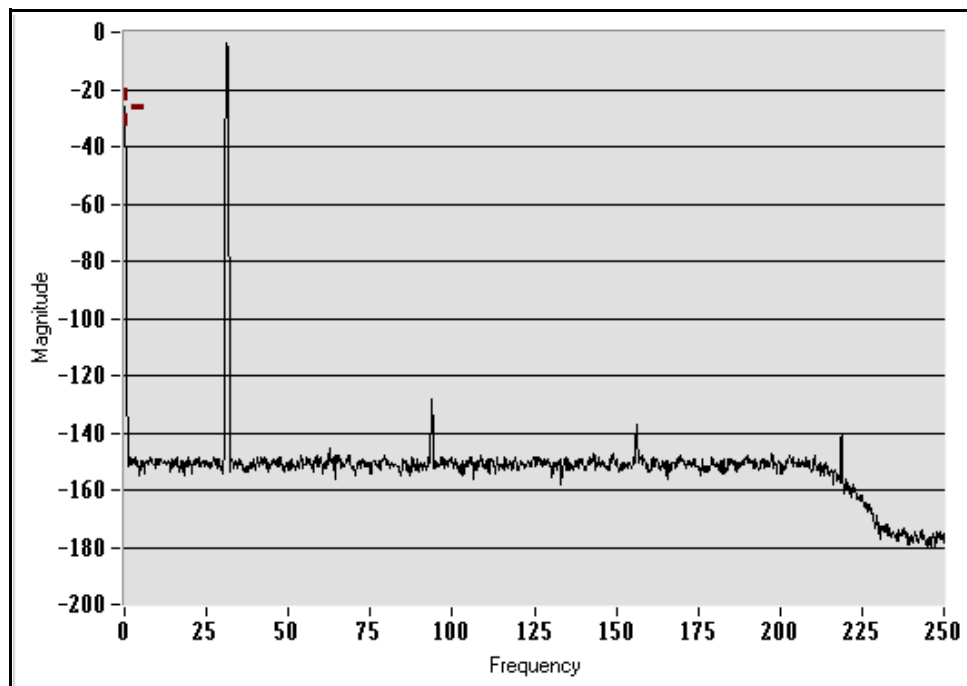


Figure 3. Modulator + CS4373A Test DAC Dynamic Performance

**DIGITAL CHARACTERISTICS**

| Parameter   | Symbol     | Min             | Typ     | Max      | Unit    |
|---|------------|-----------------|---------|----------|---------|
| <b>Digital Inputs</b>                                     |            |                 |         |          |         |
| High-level Input Voltage (Note 9, 19)                     | $V_{IH}$   | $0.6 \cdot V_D$ | -       | $V_D$    | V       |
| Low-level Input Voltage (Note 9, 19)                      | $V_{IL}$   | 0.0             | -       | 0.8      | V       |
| Input Leakage Current                                     | $I_{IN}$   | -               | $\pm 1$ | $\pm 10$ | $\mu A$ |
| Digital Input Capacitance (Note 9)                        | $C_{IN}$   | -               | 9       | -        | pF      |
| Input Rise Times Except MCLK (Note 9)                     | $t_{RISE}$ | -               | -       | 100      | ns      |
| Input Fall Times Except MCLK (Note 9)                     | $t_{FALL}$ | -               | -       | 100      | ns      |
| <b>Digital Outputs</b>                                    |            |                 |         |          |         |
| High-level Output Voltage, $I_{out} = -40 \mu A$ (Note 9) | $V_{OH}$   | $V_D - 0.3$     | -       | -        | V       |
| Low-level Output Voltage, $I_{out} = 40 \mu A$ (Note 9)   | $V_{OL}$   | -               | -       | 0.3      | V       |
| High-Z Leakage Current                                    | $I_{OZ}$   | -               | -       | $\pm 10$ | $\mu A$ |
| Digital Output Capacitance (Note 9)                       | $C_{OUT}$  | -               | 9       | -        | pF      |
| Output Rise Times (Note 9)                                | $t_{RISE}$ | -               | -       | 100      | ns      |
| Output Fall Times (Note 9)                                | $t_{FALL}$ | -               | -       | 100      | ns      |

Notes: 19. Device is intended to be driven with CMOS logic levels.

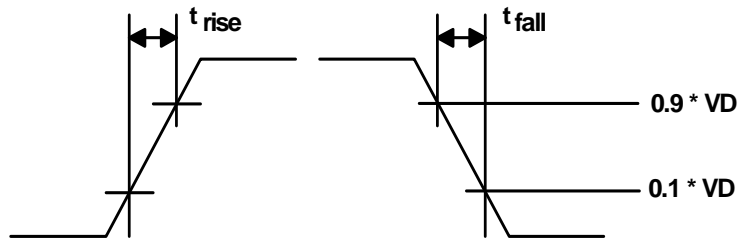


Figure 4. Digital Input Rise and Fall Times

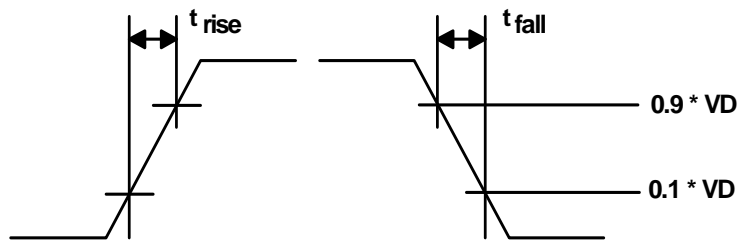
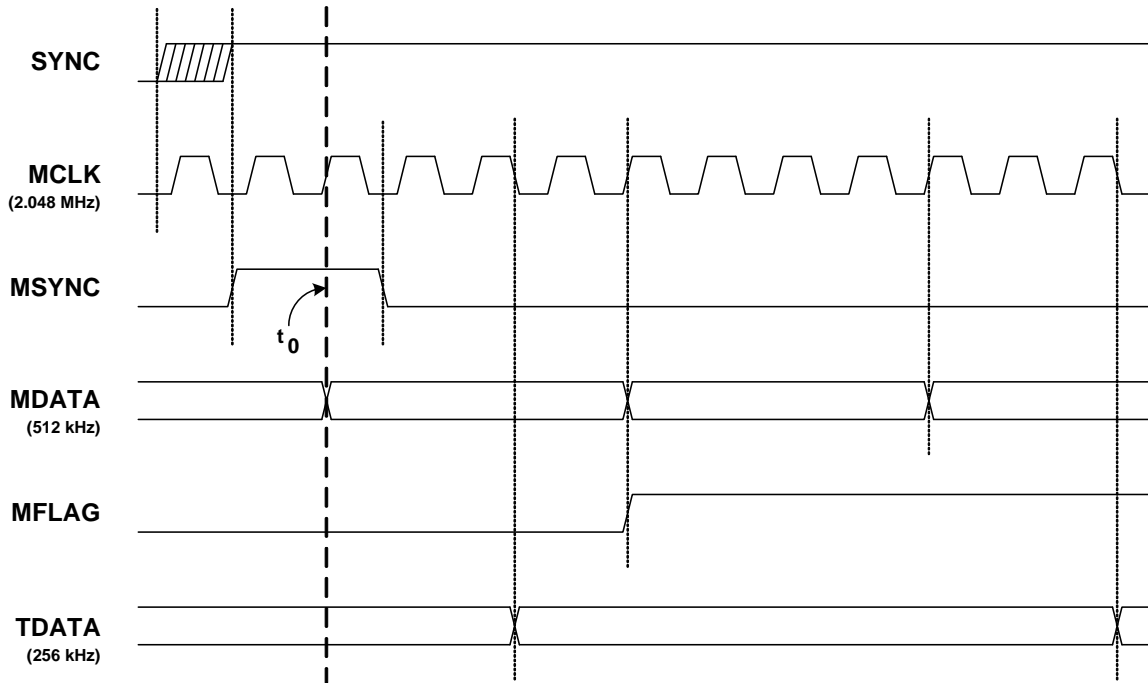
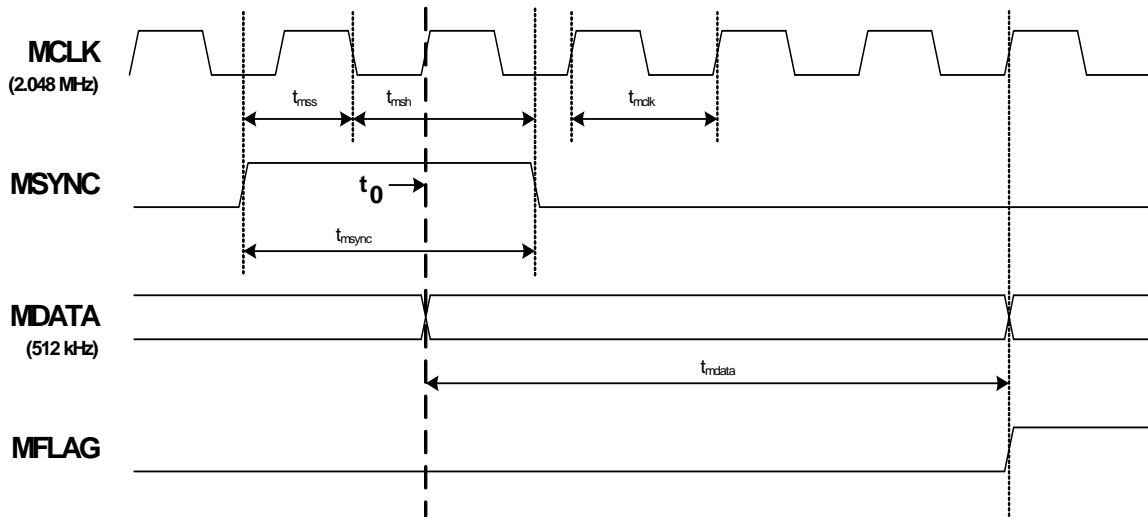


Figure 5. Digital Output Rise and Fall Times

**DIGITAL CHARACTERISTICS (CONT.)**

| Parameter   | Symbol                     | Min      | Typ   | Max      | Unit    |
|---|----------------------------|----------|-------|----------|---------|
| <b>Master Clock Input</b>                         |                            |          |       |          |         |
| MCLK Frequency (Note 20)                          | $f_{\text{CLK}}$           | -        | 2.048 | -        | MHz     |
| MCLK Period (Note 20)                             | $t_{\text{mclk}}$          | -        | 488   | -        | ns      |
| MCLK Duty Cycle (Note 9)                          | $\text{MCLK}_{\text{DC}}$  | 40       | -     | 60       | %       |
| MCLK Rise Time (Note 9)                           | $t_{\text{RISE}}$          | -        | -     | 50       | ns      |
| MCLK Fall Time (Note 9)                           | $t_{\text{FALL}}$          | -        | -     | 50       | ns      |
| MCLK Jitter (in-band or aliased in-band) (Note 9) | $\text{MCLK}_{\text{IBJ}}$ | -        | -     | 300      | ps      |
| MCLK Jitter (out-of-band) (Note 9)                | $\text{MCLK}_{\text{OBJ}}$ | -        | -     | 1        | ns      |
| <b>Master Sync Input</b>                          |                            |          |       |          |         |
| MSYNC Setup Time to MCLK Falling (Note 9, 21)     | $t_{\text{mss}}$           | 20       | 122   | -        | ns      |
| MSYNC Period (Note 9, 21)                         | $t_{\text{msync}}$         | 40       | 976   | -        | ns      |
| MSYNC Hold Time after MCLK Falling (Note 9, 21)   | $t_{\text{msh}}$           | 20       | 122   | -        | ns      |
| <b>MDATA Output</b>                               |                            |          |       |          |         |
| MDATA Output Bit Rate                             | $f_{\text{mdata}}$         | -        | 512   | -        | kbits/s |
| MDATA Output Bit Period                           | $t_{\text{mdata}}$         | -        | 1953  | -        | ns      |
| MDATA Output One's Density Range (Note 9)         | $\text{MDAT}_{\text{OD}}$  | 14       | -     | 86       | %       |
| Full-scale Output Code (Note 22)                  | $\text{MDAT}_{\text{FS}}$  | 0xA2EBE0 | -     | 0x5D1420 |         |

- Notes: 20. MCLK is generated by the digital filter. If MCLK is disabled, the device automatically enters a power-down state.
21. MSYNC is generated by the digital filter and is latched on MCLK falling edge, synchronization instant ( $t_0$ ) is on the next MCLK rising edge.
22. Decimated, filtered, and offset-corrected 24-bit output word from the digital filter.

**DIGITAL CHARACTERISTICS (CONT.)**

**Figure 6. System Timing Diagram**

**Figure 7. MCLK / MSYNC Timing Detail**

**POWER SUPPLY CHARACTERISTICS**

| Parameter  | Symbol    | Min | Typ | Max | Unit    |
|--|-----------|-----|-----|-----|---------|
| <b>Power Supply Current, CS5371A</b>                 |           |     |     |     |         |
| Analog Power Supply Current (Note 23)                | $I_A$     | -   | 5   | 6   | mA      |
| Digital Power Supply Current (Note 23)               | $I_D$     | -   | 75  | 125 | $\mu$ A |
| <b>Power Supply Current, CS5372A ch1 + ch2</b>       |           |     |     |     |         |
| Analog Power Supply Current (Note 23)                | $I_A$     | -   | 9   | 11  | mA      |
| Digital Power Supply Current (Note 23)               | $I_D$     | -   | 75  | 125 | $\mu$ A |
| <b>Power Supply Current, CS5372A ch1 or ch2 only</b> |           |     |     |     |         |
| Analog Power Supply Current (Note 23)                | $I_A$     | -   | 5   | 6   | mA      |
| Digital Power Supply Current (Note 23)               | $I_D$     | -   | 75  | 125 | $\mu$ A |
| <b>Power Down Current, MCLK enabled</b>              |           |     |     |     |         |
| Analog Power Supply Current (Note 23)                | $I_A$     | -   | 0.5 | -   | mA      |
| Digital Power Supply Current (Note 23)               | $I_D$     | -   | 75  | -   | $\mu$ A |
| <b>Power Down Current, MCLK disabled</b>             |           |     |     |     |         |
| Analog Power Supply Current (Note 23)                | $I_A$     | -   | 1   | -   | $\mu$ A |
| Digital Power Supply Current (Note 23)               | $I_D$     | -   | 1   | -   | $\mu$ A |
| Power Down Timing (after MCLK disabled) (Note 9)     | $PD_{TC}$ | -   | 40  | -   | $\mu$ S |
| <b>Power Supply Rejection</b>                        |           |     |     |     |         |
| Power Supply Rejection Ratio (Note 24)               | PSRR      | -   | 100 | -   | dB      |

Notes: 23. All outputs unloaded. Digital inputs forced to VD or GND respectively.

24. Power supply rejection is characterized by applying a 100 mVp-p 50 Hz sine wave to each supply.

## 2. SYSTEM DIAGRAM

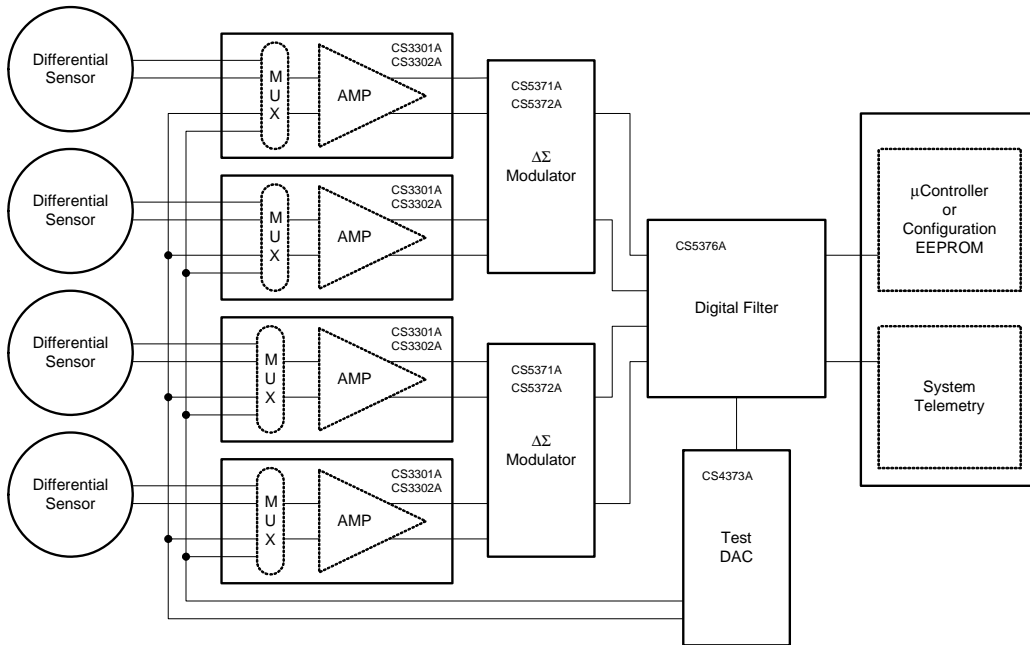


Figure 8. System Block Diagram

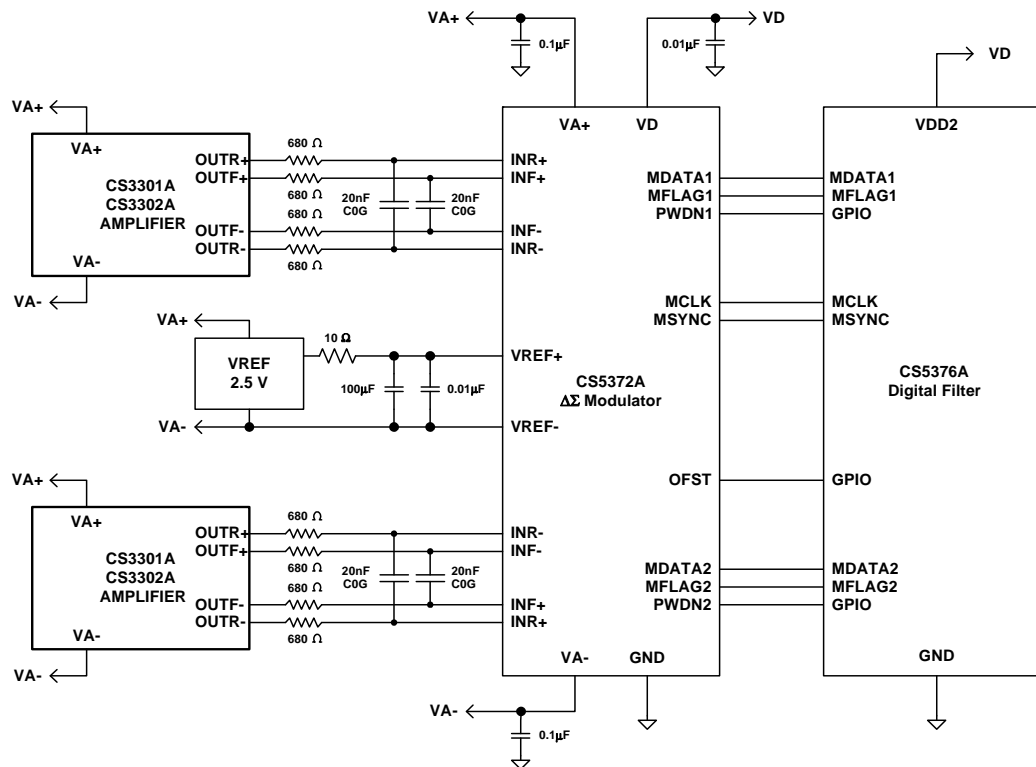
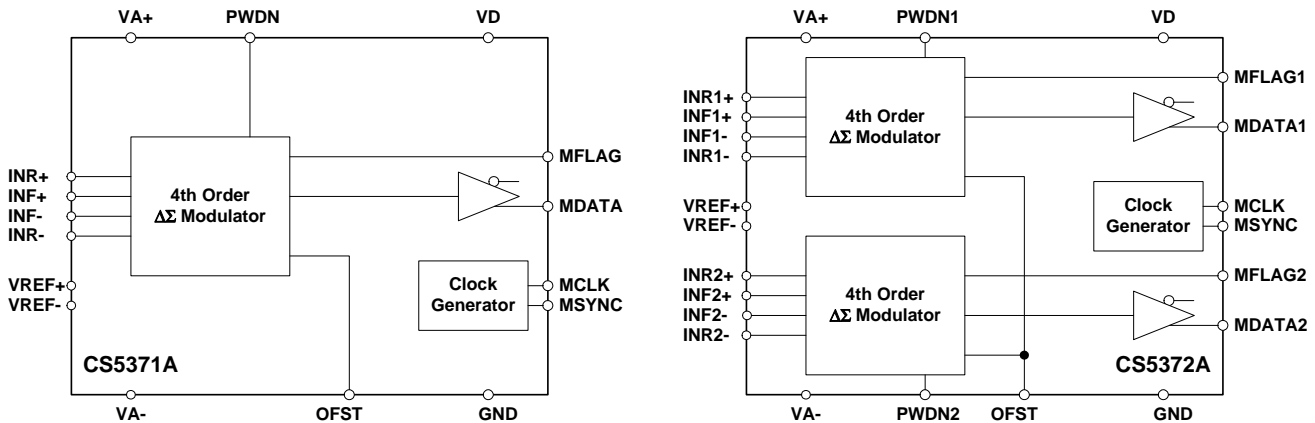


Figure 9. Connection Diagram



**Figure 10. CS5371A and CS5372A Block Diagrams**

### 3. MODULATOR OPERATION

The CS5371A and CS5372A are one- and two-channel, fourth-order  $\Delta\Sigma$  modulators optimized for extremely high-resolution measurement of signals between DC and 2000 Hz. When combined with CS3301A / CS3302A differential amplifiers, the CS4373A test DAC and CS5376A digital filter, a small, low-power, self-testing, high-accuracy, multi-channel measurement system results.

The CS5371A and CS5372A modulators have high dynamic range and low total harmonic distortion with very low power consumption and are optimized for extremely high-resolution measurement of 5  $V_{p-p}$  or smaller differential signals. They convert analog input signals from the CS3301A / CS3302A differential amplifiers to an oversampled serial bit stream at 512 kbits per second which is then passed to the digital filter.

The companion CS5376A digital filter generates the clock and synchronization inputs for

the CS5371A / CS5372A modulators while receiving the one-bit data and over-range flag outputs. The digital filter decimates the modulator's oversampled output bit stream to a high-resolution, 24-bit output at the selected output word rate.

#### 3.1 One's Density

In normal operation a differential analog input signal is converted to an oversampled  $\Delta\Sigma$  serial bit stream on the MDATA output, with a one's density proportional to the differential amplitude of the analog input signal.

One's density of the MDATA output is defined as the ratio of '1' bits to total bits in the serial bit stream output, i.e. an 86% one's density has, on average, a '1' value in 86 of every 100 output data bits. The MDATA output has a nominal 50% one's density for a mid-scale differential input, approximately 86% one's density for a positive full-scale input signal, and approximately 14% one's density for a negative full-scale input signal.

| Modulator Differential Analog Input Signal | CS5376A Digital Filter 24-Bit Output Code |               |               |
|--|---|---------------|---------------|
|  | Offset Corrected                          | -60 mV Offset | -35 mV Offset |
| > + (VREF+5%)                              | Error Flag Possible                       |               |               |
| + VREF                                     | 5D1420                                    | 5AD840        | 5BC688        |
| 0 V  | 000000                                    | FDC420        | FEB268        |
| - VREF                                     | A2EBE0                                    | A527C0        | A43978        |
| > - (VREF+5%)                              | Error Flag Possible                       |               |               |

**Table 1. 24-Bit Output Coding for the CS5371A and CS5372A Modulator and CS5376A Digital Filter Combination**

### 3.2 Decimated 24-bit Output

When the CS5371A and CS5372A modulator operates with the CS5376A digital filter, the final decimated, 24-bit, full-scale output code range depends if digital offset correction is enabled. With digital offset correction enabled within the digital filter, amplifier offset and the modulator internal offset are removed from the final conversion result.

### 3.3 Synchronization

The modulator is designed to operate synchronously with other modulators in a distributed measurement network, so a rising edge on the MSYNC input resets the internal conversion state machine to synchronize analog sample timing. MSYNC is automatically generated by the CS5376A digital filter after receiving a synchronization signal from the external system, and is chip-to-chip accurate within  $\pm 1$  MCLK period.

### 3.4 Idle Tones

The CS5371A and CS5372A are delta-sigma-type modulators and so can produce “idle tones” in the measurement bandwidth when the differential input signal is a steady-state DC signal near mid-scale. Idle tones result from low-frequency patterns in the output data stream and appear in the measurement spectrum as small tones about -135 dB down from full scale.

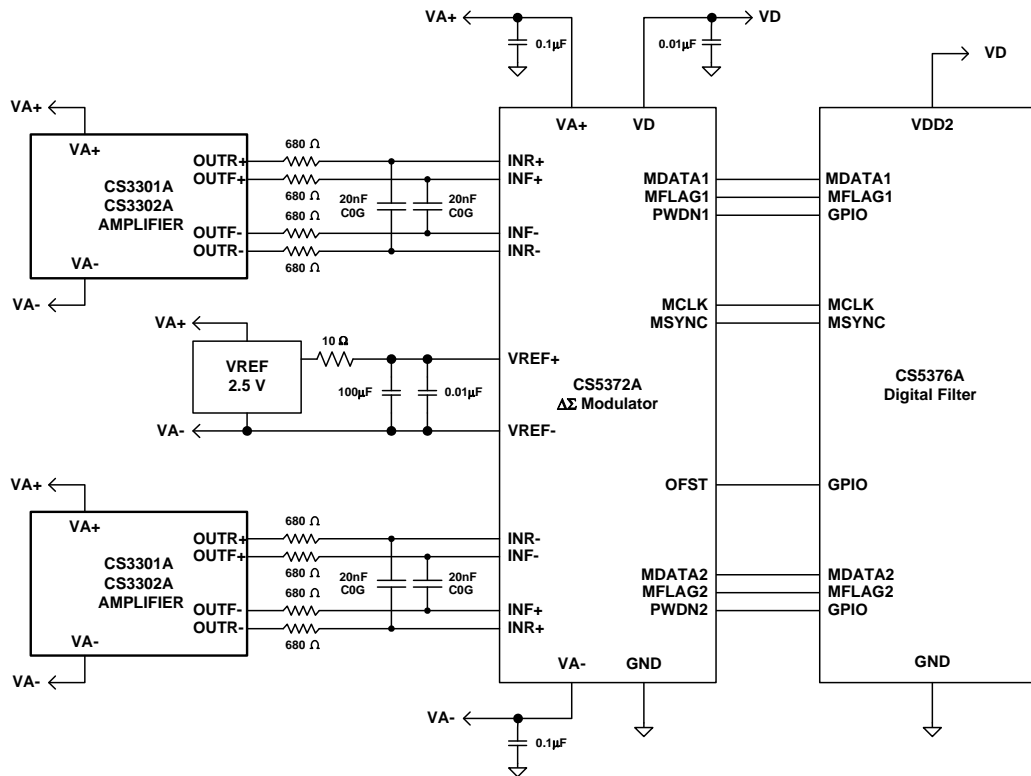
If the OFST pin is pulled high, idle tones are eliminated within the modulator by adding -60 mV (channel 1 of CS5371A and CS5372A) or -35 mV (channel 2 of CS5372A) of internal differential offset during conversion to push idle tones out of the measurement bandwidth. Care should be taken to ensure external offset voltages do not negate the internally added differential offset, or idle tones will re-appear.

### 3.5 Stability

The CS5371A and CS5372A  $\Delta\Sigma$  modulators have a fourth-order architecture which is conditionally stable and may go into an oscillatory condition if the analog inputs are over-ranged more than 5% past either positive or negative full scale.

If an unstable condition is detected, the modulator collapses to a first-order system and transitions the MFLAG output low-to-high to signal an error condition to the CS5376A digital filter. The analog input signal must be reduced to within the full-scale range for at least 32 MCLK cycles for the modulator to recover from an oscillatory condition. If the analog input remains over-ranged for an extended period, the modulator will cycle between fourth-order and first-order operation and the MFLAG output will be seen to pulse.





**Figure 11. Analog Signals**

## 4. ANALOG SIGNALS

The CS5371A and CS5372A modulators have differential analog inputs which are separated into rough and fine charge differential pairs ( $INR_{\pm}$ ,  $INF_{\pm}$ ) to maximize sampling accuracy. Both sets of modulator inputs require a simple differential anti-alias RC filter to ensure high-frequency signals do not alias into the measurement bandwidth.

### 4.1 $INR_{\pm}$ , $INF_{\pm}$ Modulator Inputs

The modulator analog inputs are separated into differential rough and fine signals ( $INR_{\pm}$ ,  $INF_{\pm}$ ). The positive half of the differential input signal is connected to  $INR_{+}$  and  $INF_{+}$ , while the negative half is attached to  $INF_{-}$  and  $INR_{-}$ . The  $INR_{\pm}$  pins are switched-capacitor ‘rough charge’ inputs that pre-charge the internal analog sampling capacitor before it is connected to the  $INF_{\pm}$  fine input pins.

### 4.2 Input Impedance

The modulator inputs have a dynamic switched-capacitor architecture and so have a rough charge input impedance that is inversely proportional to the input master clock frequency and the input capacitor size,  $[1 / (f \times C)]$ .

- $MCLK = 2.048 \text{ MHz}$
- $INR_{\pm}$  Internal Input Capacitor = 20 pF
- Impedance =  $[1 / (2.048 \text{ MHz} \times 20 \text{ pF})] = 24 \text{ k}\Omega$ .

Internal to the modulator, the rough inputs ( $INR_{\pm}$ ) pre-charge the sampling capacitor used by the fine inputs ( $INF_{\pm}$ ), therefore the input current to the fine inputs is typically very low and the effective input impedance is orders of magnitude above the impedance of the rough inputs.

### 4.3 Anti-alias Filter

The modulator inputs are required to be bandwidth limited to ensure modulator loop stability and prevent high-frequency signals from aliasing into the measurement bandwidth. The use of simple, single-pole, differential, low-pass RC filters across the  $INR_{\pm}$  and  $INF_{\pm}$  inputs ensures high-frequency signals are rejected before they can alias into the measurement bandwidth.

The CS3301A / CS3302A differential amplifiers are designed with separate rough and fine analog outputs ( $OUTR_{\pm}$ ,  $OUTF_{\pm}$ ) that match the modulator rough and fine inputs ( $INR_{\pm}$ ,  $INF_{\pm}$ ). External anti-alias series resistors and external differential capacitors are required to create the anti-alias RC filters.

The approximate -3 dB corner of the input anti-alias filter is nominally set to the internal analog sampling rate divided by 64, which itself is a division by 4 of the MCLK rate.

- MCLK Frequency = 2.048 MHz
- Sampling Frequency = MCLK / 4 = 512 kHz
- -3 dB Filter Corner = Sampling Freq / 64 = 8 kHz
- RC filter =  $1 / [2\pi \times (2 \times R_{\text{series}}) \times C_{\text{diff}}] \sim 8 \text{ kHz}$

Figure 9 on page 14 illustrates the CS5371A and CS5372A modulator analog connections with input anti-alias filter components. Filter components on the rough and fine pins should be identical values for optimum performance, with the capacitor values a minimum of 0.02  $\mu\text{F}$ . The rough input can use either X7R- or C0G-type capacitors, while the fine input requires C0G-type capacitors for optimal linearity. Us-

ing X7R-type capacitors on the fine analog inputs will significantly degrade total harmonic distortion performance.

### 4.4 Analog Differential Signals

Differential analog signals into the CS5371A and CS5372A consist of two halves with equal but opposite magnitude varying about a common mode voltage. A full-scale, 5  $V_{\text{p-p}}$ , differential signal centered on a -0.15 V common mode voltage will have:

$$\text{SIG+} = -0.15 \text{ V} + 1.25 \text{ V} = +1.1 \text{ V}$$

$$\text{SIG-} = -0.15 \text{ V} - 1.25 \text{ V} = -1.4 \text{ V}$$

SIG+ is +2.5 V relative to SIG-

For the opposite case:

$$\text{SIG+} = -0.15 \text{ V} - 1.25 \text{ V} = -1.4 \text{ V}$$

$$\text{SIG-} = -0.15 \text{ V} + 1.25 \text{ V} = +1.1 \text{ V}$$

SIG+ is -2.5 V relative to SIG-

So the total swing for SIG+ relative to SIG- is  $(+2.5 \text{ V}) - (-2.5 \text{ V}) = 5 V_{\text{p-p}}$  differential. A similar calculation can be done for SIG- relative to SIG+.

It's important to note that a 5  $V_{\text{p-p}}$  differential signal centered on a -0.15 V common mode voltage never exceeds +1.1 V with respect to ground and never drops below -1.4 V with respect to ground on either half. By definition, differential voltages are measured with respect to the opposite half, not relative to ground. A voltmeter differentially measuring between SIG+ and SIG- in the above example would correctly read 1.767  $V_{\text{rms}}$ , or 5  $V_{\text{p-p}}$ .

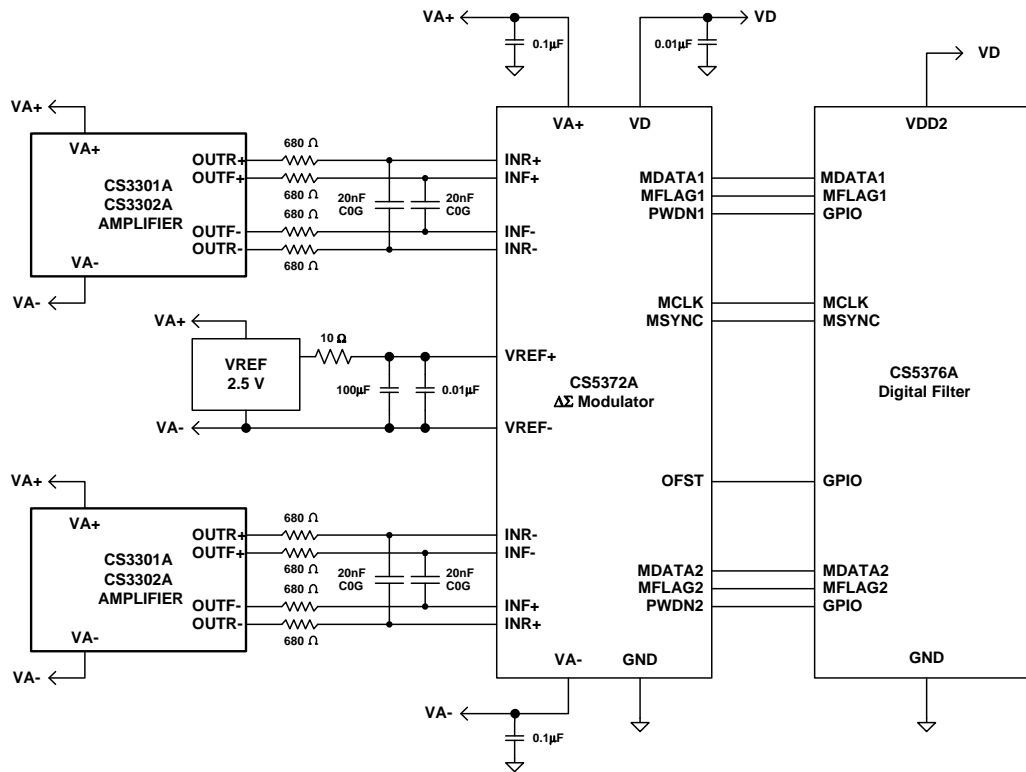


Figure 12. Digital Signals

## 5. DIGITAL SIGNALS

The CS5371A and CS5372A modulators are designed to operate with the CS5376A digital filter. The digital filter generates the modulator clock and synchronization signals (MCLK and MSYNC) while receiving back the modulator one-bit  $\Delta\Sigma$  conversion data and over-range flag (MDATA and MFLAG).

### 5.1 MCLK Connection

The CS5376A digital filter generates the master clock for CS5371A and CS5372A, typically 2.048 MHz, from a synchronous clock input from the external system. If MCLK is disabled during operation, the modulators will enter a power down state after approximately 40  $\mu$ S. By default, MCLK is disabled at reset and is enabled by writing the digital filter CONFIG register.

MCLK must have low jitter to guarantee full analog performance, requiring a crystal- or

VCXO-based system clock input to the digital filter. Clock jitter on the digital filter CLK input directly translates to jitter on MCLK.

### 5.2 MSYNC Connection

The CS5376A digital filter also provides a synchronization signal to the CS5371A and CS5372A modulators. The MSYNC signal is automatically generated following a rising edge received on the digital filter SYNC input. By default, MSYNC generation is disabled at reset and is enabled by writing the digital filter CONFIG register.

The input SYNC signal to the CS5376A digital filter sets a common reference time  $t_0$  for measurement events, thereby synchronizing analog sampling across a measurement network. The timing accuracy of the received SYNC signal from measurement node to measurement node must be  $\pm 1$  MCLK to maximize the

MSYNC analog sample synchronization accuracy.

The CS5371A and CS5372A MSYNC input is rising-edge triggered and resets the internal MCLK counter/divider to guarantee synchronous operation with other system devices. While the MSYNC signal synchronizes the internal operation of the modulators, by default, it does not synchronize the phase of the sine wave from the CS4373A test DAC unless enabled in the digital filter TBSCFG register.

### 5.3 MDATA Connection

During normal operation the CS5371A and CS5372A modulators output a  $\Delta\Sigma$  serial bit stream to the MDATA pin, with a one's density proportional to the differential amplitude of the analog input signal. The output bit rate from the MDATA output is a divide-by-four of the input MCLK, and so is nominally 512 kHz.

The MDATA output has a 50% one's density for a mid-scale analog input, approximately 86% one's density for a positive full-scale analog input, and approximately 14% one's density for a negative full-scale analog input. One's density of the MDATA output is defined as the ratio of '1' bits to total bits in the serial bit stream output; i.e. an 86% one's density has, on average, a '1' value in 86 of every 100 output data bits.

### 5.4 MFLAG Connection

The CS5371A and CS5372A  $\Delta\Sigma$  modulators have a fourth-order architecture which is conditionally stable and may go into an oscillatory condition if the analog inputs are over-ranged

more than 5% past either positive or negative full-scale.

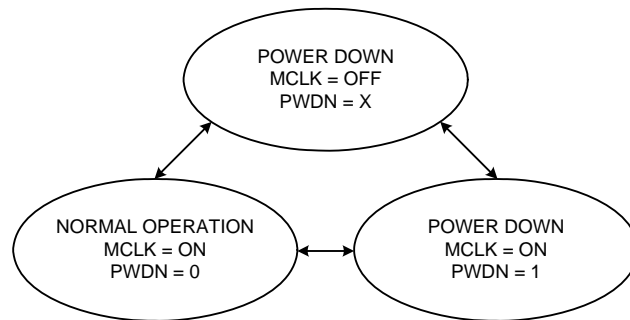
When an unstable condition is detected, the modulator automatically collapses to a first-order system to regain stability and then transitions the MFLAG output low-to-high to signal an error condition to the CS5376A digital filter. The MFLAG output connects to a dedicated input on the digital filter, causing an error flag to be set in the status byte of the next output data word.

For the modulator to recover from an unstable condition, the analog input signal must be reduced to within the full-scale input range for at least 32 MCLK cycles. If the analog input remains over-ranged for an extended period, the modulator will cycle between fourth-order and first-order operation and the MFLAG output will be seen to pulse.

### 5.5 OFST Connection

The CS5376A controls 12 general-purpose input output (GPIO) pins through the digital filter GPCFG register. These GPIO pins can be assigned to operate the CS5371A and CS5372A OFST and PWDN pins.

If the OFST pin is pulled high, idle tones are eliminated within the modulator by adding -60 mV (channel 1 of CS5371A and CS5372A) or -35 mV (channel 2 of CS5372A) of internal differential offset during conversion to push idle tones out of the measurement bandwidth. Care should be taken to ensure external offset voltages do not negate the internally added differential offset, or idle tones will re-appear.



**Figure 13. Power Mode Diagram**

## 6. POWER MODES

The CS5371A and CS5372A modulators have three power modes. Normal operation, power down with MCLK enabled, and power down with MCLK disabled.

### 6.1 Normal Operation

With MCLK active and the PWDN pin driven low, the CS5371A and CS5372A modulators perform normal data acquisition. A differential analog input signal is converted to an over-sampled 1-bit  $\Delta\Sigma$  bit stream at 512 kHz. This  $\Delta\Sigma$  bit stream is then digitally filtered and decimated by the CS5376A device to a high-precision 24-bit output.

### 6.2 Power Down, MCLK Enabled

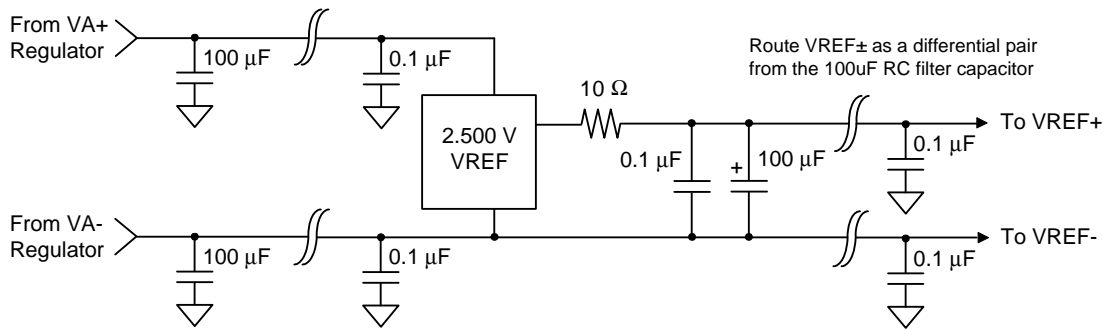
With MCLK active and the PWDN pin driven high, the CS5371A and CS5372A modulators are placed into a power-down state. During

this power-down state the modulators are disabled and all outputs are high impedance.

### 6.3 Power Down, MCLK Disabled

If MCLK is stopped, an internal loss-of-clock detection circuit automatically places the CS5371A and CS5372A into a power-down state. This power-down state is independent of the PWDN pin setting and is automatically invoked after approximately 40  $\mu$ s without receiving an incoming MCLK edge.

During this power-down state, the modulators are disabled and all outputs are high impedance. When used with the CS5376A digital filter, the CS5371A and CS5372A are in this power-down state immediately after reset since MCLK is disabled by default.



**Figure 14. Voltage Reference Circuit**

## 7. VOLTAGE REFERENCE

The CS5371A and CS5372A modulators require a 2.500 V precision voltage reference to be supplied to the VREF± pins.

### 7.1 VREF Power Supply

To guarantee proper regulation headroom for the voltage reference device, the voltage reference GND pin should be connected to VA- instead of system ground, as shown in [Figure 14](#). This connection results in a VREF- voltage equal to VA- and a VREF+ voltage very near ground [(VA-) + 2.500 VREF].

Power supply inputs to the voltage reference device should be bypassed to system ground with 0.1 µF capacitors placed as close as possible to the power and ground pins. In addition to 0.1 µF local bypass capacitors, at least 100 µF of bulk capacitance to system ground should be placed on each power supply near the voltage regulator outputs. Bypass capacitors should be X7R, C0G, tantalum, or other high-quality dielectric type.

### 7.2 VREF RC Filter

A primary concern in selecting a precision voltage reference device is noise performance in the measurement bandwidth. The [Linear Technology LT1019AIS8-2.5](#) voltage reference yields acceptable noise levels if the output is filtered with a low-pass RC filter.

A separate RC filter is required for each system device connected to a given voltage refer-

ence output. By sharing a common RC filter, signal-dependent sampling of the voltage reference by one system device could cause unwanted tones to appear in the measurement bandwidth of another system device via common impedance coupling.

### 7.3 VREF PCB Routing

To minimize the possibility of outside noise coupling into the CS5371A and CS5372A voltage reference input, the VREF± traces should be routed as a differential pair from the large capacitor of the voltage reference RC filter. Careful control of the voltage reference source and return currents by routing VREF± as a differential pair will significantly improve immunity from external noise.

To further improve noise rejection of the VREF± differential route, include 0.1 µF bypass capacitors to system ground as close as possible to the VREF+ and VREF- pins of the CS5371A and CS5372A.

### 7.4 VREF Input Impedance

The switched-capacitor input architecture of the VREF± inputs results in an input impedance that depends on the internal capacitor size and the MCLK frequency. With a 15 pF internal capacitor and a 2.048 MHz MCLK, the VREF input impedance is approximately  $1 / [(2.048 \text{ MHz}) \times (15 \text{ pF})] = 32 \text{ k}\Omega$ . While the size of the internal capacitor is fixed, the volt-



age reference input impedance will vary with MCLK.

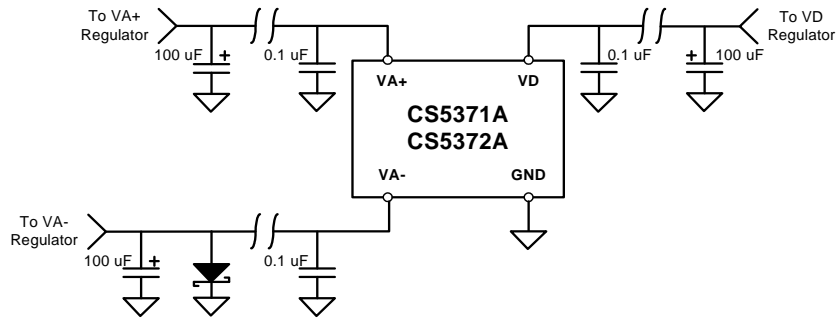
The voltage reference external RC filter series resistor creates a voltage divider with the VREF input impedance to reduce the effective applied input voltage. To minimize gain error resulting from this voltage divider effect, the RC filter series resistor should be the minimum size recommended in the voltage reference device data sheet.

### 7.5 VREF Accuracy

The nominal voltage reference input is specified as 2.500 V across the VREF± pins, and all CS5371A and CS5372A gain accuracy speci-

fications are measured using a nominal voltage reference input. Any variation from a nominal VREF input will proportionally vary the analog full-scale gain accuracy.

Since temperature drift of the voltage reference results in gain drift of the analog full-scale amplitude, care should be taken to minimize temperature drift effects through careful selection of passive components and the voltage reference device itself. Gain drift specifications of the CS5371A and CS5372A do not include the temperature drift effects of external passive components or of the voltage reference device itself.



**Figure 15. Power Supply Diagram**

## 8. POWER SUPPLIES

The CS5371A and CS5372A modulators have a positive analog power supply pin (VA+), a negative analog power supply pin (VA-), a digital power supply pin (VD), and a ground pin (GND).

For proper operation, power must be supplied to all power supply pins, and the ground pin must be connected to system ground. The CS5371A and CS5372A digital power supply (VD) and the CS5376A digital power supply (VDD) must share a common voltage.

### 8.1 Power Supply Bypassing

The VA+, VA-, and VD power supplies should be bypassed to system ground with 0.1  $\mu\text{F}$  capacitors placed as close as possible to the power pins of the device. In addition to the 0.1  $\mu\text{F}$  local bypass capacitors, at least 100  $\mu\text{F}$  bulk capacitance to system ground should be placed on each power supply near the voltage regulator output, with additional power supply bulk capacitance placed among the analog component route if space permits. Bypass capacitors should be X7R, C0G, tantalum, or other high-quality dielectric type.

### 8.2 PCB Layers and Routing

The CS5371A and CS5372A are high-performance devices, and special care must be taken to ensure power and ground routing is correct. Power can be supplied either through dedicated power planes or routed traces.

When routing power traces, it is recommended to use a “star” routing scheme with the star point either at the voltage regulator output or at a local power supply bulk capacitor.

It is also recommended to dedicate a full PCB layer to a solid ground plane, without splits or routing. All bypass capacitors should connect between the power supply circuit and the solid ground plane as near as possible to the device power supply pins.

The CS5371A and CS5372A analog signals are differentially routed and do not normally require connection to a separate analog ground. However, if a separate analog ground is required, it should be routed using a “star” routing scheme on a separate layer from the solid ground plane and connected to the ground plane only at a single point. Be sure all active devices and passive components connected to the separate analog ground are included in the “star” route to ensure sensitive analog currents do not return through the ground plane.

### 8.3 Power Supply Rejection

Power supply rejection of the CS5371A and CS5372A is frequency dependent. The CS5376A digital filter fully rejects power supply noise for frequencies above the selected digital filter corner frequency. Power supply noise frequencies between DC and the digital filter corner frequency are rejected as specified in the [Power Supply Characteristics](#) table.



#### 8.4 SCR Latch-up Considerations

It is recommended to connect the VA- power supply to system ground (GND) with a reverse-biased Schottky diode. At power up, if the VA+ power supply ramps up before the VA- supply is established, the VA- pin voltage could be pulled above ground potential through the CS5371A and CS5372A device. If the VA- supply is pulled 0.7 V or more above GND, SCR latch-up can occur. A reverse-biased Schottky diode will clamp the VA- voltage a maximum of 0.3 V above ground to ensure SCR latch-up does not occur at power up.

#### 8.5 DC-DC Converters

Many low-frequency measurement systems are battery powered and utilize DC-DC converters to efficiently generate power supply voltages. To minimize interference effects, operate the DC-DC converter at a frequency

which is rejected by the digital filter, or operate it synchronous to the MCLK rate.

A synchronous DC-DC converter whose operating frequency is derived from MCLK will theoretically minimize the potential for “beat frequencies” to appear in the measurement bandwidth. However this requires the source clock to remain jitter free within the DC-DC converter circuitry. If clock jitter can occur within the DC-DC converter (as in a PLL-based architecture), it’s better to use a non-synchronous DC-DC converter whose switching frequency is rejected by the digital filter.

During PCB layout, do not place high-current DC-DC converters near sensitive analog components. Carefully routing a separate DC-DC “star” ground will help isolate noisy switching currents away from the sensitive analog components.

**9. PIN DESCRIPTION - CS5371A**

|                                  |              |     |    |              |                               |
|----------------------------------|--------------|-----|----|--------------|-------------------------------|
| Rough Non-Inverting Input        | <b>INR+</b>  | 1 • | 24 | <b>PWDN</b>  | Power-down Enable             |
| Fine Non-Inverting Input         | <b>INF+</b>  | 2   | 23 | <b>GND</b>   | Digital Ground                |
| Fine Inverting Input             | <b>INF-</b>  | 3   | 22 | <b>MFLAG</b> | Modulator Flag Output         |
| Rough Inverting Input            | <b>INR-</b>  | 4   | 21 | <b>MDATA</b> | Modulator Data Output         |
| Positive Voltage Reference Input | <b>VREF+</b> | 5   | 20 | <b>MSYNC</b> | Modulator Sync Input          |
| Negative Voltage Reference Input | <b>VREF-</b> | 6   | 19 | <b>MCLK</b>  | Modulator Clock Input         |
| Negative Analog Power Supply     | <b>VA-</b>   | 7   | 18 | <b>VD</b>    | Positive Digital Power Supply |
| Positive Analog Power Supply     | <b>VA+</b>   | 8   | 17 | <b>GND</b>   | Digital Ground                |
| No Internal Connection           | <b>NC</b>    | 9   | 16 | <b>NC</b>    | No Internal Connection        |
| No Internal Connection           | <b>NC</b>    | 10  | 15 | <b>NC</b>    | No Internal Connection        |
| No Internal Connection           | <b>NC</b>    | 11  | 14 | <b>OFST</b>  | Offset Mode Select            |
| No Internal Connection           | <b>NC</b>    | 12  | 13 | <b>VD</b>    | Positive Digital Power Supply |

Power Supplies

**VA+ – Positive Analog Power Supply, pin 8**

**VA- – Negative Analog Power Supply, pin 7**

**VD – Positive Digital Power Supply, pin 13, 18**

**GND – Ground, pin 17, 23**

Analog Inputs

**INR+ – Rough Non-Inverting Input, pin 1**

Rough non-inverting analog input. The rough input settles non-linear currents to improve linearity on the fine input and reduce harmonic distortion.

**INF+ – Fine Non-Inverting Input, pin 2**

Fine non-inverting analog input.

**INF- – Fine Inverting Input, pin 3**

Fine inverting analog input.

**INR- – Rough Inverting Input, pin 4**

Rough inverting analog input. The rough input settles non-linear currents to improve linearity on the fine input and reduce harmonic distortion.

**VREF+ – Positive Voltage Reference Input, pin 5**

Input for an external +2.500 V voltage reference relative to VREF-.

**VREF- – Negative Voltage Reference Input, pin 6**

This pin should be tied to VA- near the voltage reference output.

*Digital Inputs***MCLK – Modulator Clock Input, pin 19**

A CMOS compatible clock input for the modulator internal master clock, nominally 2.048 MHz with an amplitude equal to the VD digital power supply.

**MSYNC – Modulator Sync Input, pin 20**

A low to high transition resets the internal clock phasing of the modulator. This assures the sampling instant and modulator data output are synchronous to the external system.

**OFST – Offset Mode Select, pin 14**

When high, adds approximately -60 mV or -35 mV of internal differential offset to the analog input signal to guarantee any  $\Delta\Sigma$  idle tones are removed. When low, no offset is added.

**PWDN – Power-down Mode, pin 24**

When high, the modulator is in power-down mode. Halting MCLK while in power down mode reduces modulator power dissipation further.

*Digital Outputs***MDATA – Modulator Data Output, pin 21**

Modulator data is output as a 1-bit serial data stream at 512 kHz with an MCLK input of 2.048 MHz.

**MFLAG – Modulator Flag Output, pin 22**

A high level output indicates the modulator is unstable due to an over-range on the analog inputs.

**10. PIN DESCRIPTION - CS5372A**

|                                  |              |     |    |               |                               |
|----------------------------------|--------------|-----|----|---------------|-------------------------------|
| Ch. 1 Rough Non-Inverting Input  | <b>INR1+</b> | 1 • | 24 | <b>PWDN1</b>  | Ch. 1 Power-down Enable       |
| Ch. 1 Fine Non-Inverting Input   | <b>INF1+</b> | 2   | 23 | <b>GND</b>    | Digital Ground                |
| Ch. 1 Fine Inverting Input       | <b>INF1-</b> | 3   | 22 | <b>MFLAG1</b> | Ch. 1 Modulator Flag Output   |
| Ch. 1 Rough Inverting Input      | <b>INR1-</b> | 4   | 21 | <b>MDATA1</b> | Ch. 1 Modulator Data Output   |
| Positive Voltage Reference Input | <b>VREF+</b> | 5   | 20 | <b>MSYNC</b>  | Modulator Sync Input          |
| Negative Voltage Reference Input | <b>VREF-</b> | 6   | 19 | <b>MCLK</b>   | Modulator Clock Input         |
| Negative Analog Power Supply     | <b>VA-</b>   | 7   | 18 | <b>VD</b>     | Positive Digital Power Supply |
| Positive Analog Power Supply     | <b>VA+</b>   | 8   | 17 | <b>GND</b>    | Digital Ground                |
| Ch. 2 Rough Inverting Input      | <b>INR2-</b> | 9   | 16 | <b>MDATA2</b> | Ch. 2 Modulator Data Output   |
| Ch. 2 Fine Inverting Input       | <b>INF2-</b> | 10  | 15 | <b>MFLAG2</b> | Ch. 2 Modulator Flag Output   |
| Ch. 2 Fine Non-Inverting Input   | <b>INF2+</b> | 11  | 14 | <b>OFST</b>   | Offset Mode Select            |
| Ch. 2 Rough Non-Inverting Input  | <b>INR2+</b> | 12  | 13 | <b>PWDN2</b>  | Ch. 2 Power-down Enable       |

Power Supplies

**VA+ – Positive Analog Power Supply, pin 8**

**VA- – Negative Analog Power Supply, pin 7**

**VD – Positive Digital Power Supply, pin 18**

**GND – Ground, pin 17, 23**

Analog Inputs

**INR1+, INR2+ – Channel 1 & 2 Rough Non-Inverting Inputs, pin 1, 12**

Rough non-inverting analog inputs. The rough inputs settle non-linear currents to improve linearity on the fine inputs and reduce harmonic distortion.

**INF1+, INF2+ – Channel 1 & 2 Fine Non-Inverting Input, pin 2, 11**

Fine non-inverting analog inputs.

**INF1-, INF2- – Channel 1 & 2 Fine Inverting Input, pin 3, 10**

Fine inverting analog inputs.

**INR1-, INR2- – Channel 1 & 2 Rough Inverting Inputs, pin 4, 9**

Rough inverting analog inputs. The rough inputs settle non-linear currents to improve linearity on the fine inputs and reduce harmonic distortion.

**VREF+ – Positive Voltage Reference Input, pin 5**

Input for an external +2.5 V voltage reference relative to VREF-.

**VREF- – Negative Voltage Reference Input, pin 6**

This pin should be tied to VA- near the voltage reference output.

*Digital Inputs***MCLK – Modulator Clock Input, pin 19**

A CMOS compatible clock input for the modulator internal master clock, nominally 2.048 MHz with an amplitude equal to the VD digital power supply.

**MSYNC – Modulator Sync Input, pin 20**

A low to high transition resets the internal clock phasing of the modulator. This assures the sampling instant and modulator data output are synchronous to the external system.

**OFST – Offset Mode Select, pin 14**

When high, adds approximately -60 mV or -35 mV of internal differential offset to the analog input signal to guarantee any  $\Delta\Sigma$  idle tones are removed. When low, no offset is added.

**PWDN1, PWDN2 – Channel 1 & 2 Power-down Mode, pin 24, 13**

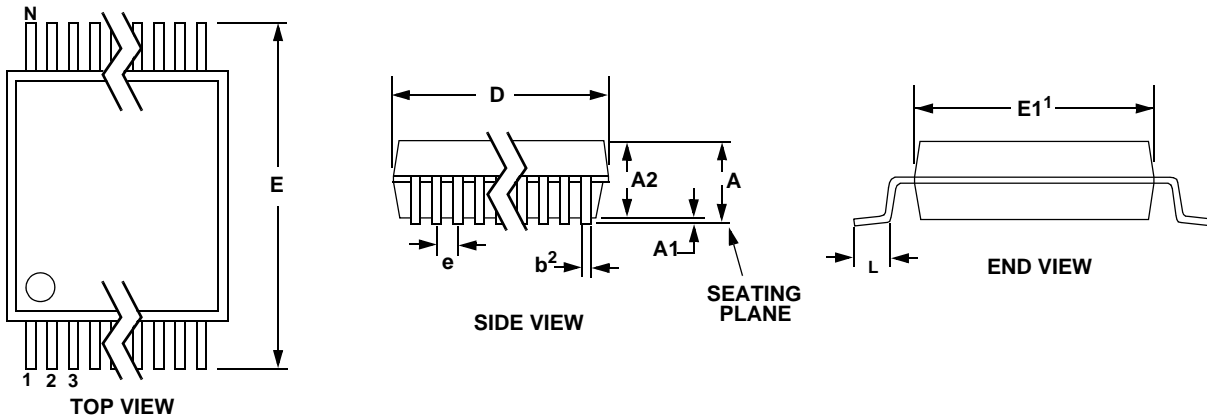
When high, the modulator is in power down mode. Halting MCLK while in power down mode reduces modulator power dissipation further.

*Digital Outputs***MDATA1, MDATA2 – Modulator Data Output, pin 21, 16**

Modulator data is output as a 1-bit serial data stream at 512 kHz with an MCLK input of 2.048 MHz.

**MFLAG1, MFLAG2 – Modulator Flag, pin 22, 15**

A high level output indicates the modulator is unstable due to an over-range on the analog inputs.

**11. PACKAGE DIMENSIONS**
**24 PIN SSOP PACKAGE DRAWING**


| DIM | INCHES |       | MILLIMETERS |      | NOTE |
|-----|--------|-------|-------------|------|------|
|     | MIN    | MAX   | MIN         | MAX  |      |
| A   | --     | 0.084 | --          | 2.13 |      |
| A1  | 0.002  | 0.010 | 0.05        | 0.25 |      |
| A2  | 0.064  | 0.074 | 1.62        | 1.88 |      |
| b   | 0.009  | 0.015 | 0.22        | 0.38 | 2,3  |
| D   | 0.311  | 0.335 | 7.90        | 8.50 | 1    |
| E   | 0.291  | 0.323 | 7.40        | 8.20 |      |
| E1  | 0.197  | 0.220 | 5.00        | 5.60 | 1    |
| e   | 0.024  | 0.027 | 0.61        | 0.69 |      |
| L   | 0.025  | 0.040 | 0.63        | 1.03 |      |
| ∞   | 0°     | 8°    | 0°          | 8°   |      |

- Notes:
1. "D" and "E1" are reference datums and do not include mold flash or protrusions, but do include mold mismatch and are measured at the parting line, mold flash or protrusions shall not exceed 0.20 mm per side.
  2. Dimension "b" does not include dambar protrusion/intrusion. Allowable dambar protrusion shall be 0.13 mm total in excess of "b" dimension at maximum material condition. Dambar intrusion shall not reduce dimension "b" by more than 0.07 mm at least material condition.
  3. These dimensions apply to the flat section of the lead between 0.10 and 0.25 mm from lead tips.

## 12. ORDERING INFORMATION

| Model                   | Temperature   | Package     |
|-------------------------|---------------|-------------|
| CS5371A-ISZ (lead free) | -40 to +85 °C | 24-pin SSOP |
| CS5372A-ISZ (lead free) |               |             |

## 13. ENVIRONMENTAL, MANUFACTURING, & HANDLING INFORMATION

| Model Number            | Peak Reflow Temp | MSL Rating* | Max Floor Life |
|-------------------------|------------------|-------------|----------------|
| CS5371A-ISZ (lead free) | 260 °C           | 3           | 7 Days         |
| CS5372A-ISZ (lead free) |                  |             |                |

\* MSL (Moisture Sensitivity Level) as specified by IPC/JEDEC J-STD-020.

**14. REVISION HISTORY**

| Revision | Date     | Changes  |
|----------|----------|--|
| PP1      | OCT 2006 | Preliminary release.   |
| F1       | DEC 2006 | Updated to final status with most-recent characterization data for Cirrus QPL process.   |
| F2       | SEP 2009 | P.1 Remove “-112dB THD Maximum” bullet.<br>P.7 Add typical THD specification for $V_{cm} = (V_{A-}) + 2.35V$ .<br>P.7 Add typical Linearity specification for $V_{cm} = (V_{A-}) + 2.35V$ .<br>P.7 Modify note 14 to specify THD at $V_{cm} = (V_{A-}) + 2.50V$ .<br>P.7 Add note 15 to specify THD at $V_{cm} = (V_{A-}) + 2.35V$ . |

---

**Contacting Cirrus Logic Support**

For all product questions and inquiries contact a Cirrus Logic Sales Representative.

To find the one nearest to you go to [www.cirrus.com](http://www.cirrus.com)

---

**IMPORTANT NOTICE**

Cirrus Logic, Inc. and its subsidiaries (“Cirrus”) believe that the information contained in this document is accurate and reliable. However, the information is subject to change without notice and is provided “AS IS” without warranty of any kind (express or implied). Customers are advised to obtain the latest version of relevant information to verify, before placing orders, that information being relied on is current and complete. All products are sold subject to the terms and conditions of sale supplied at the time of order acknowledgment, including those pertaining to warranty, indemnification, and limitation of liability. No responsibility is assumed by Cirrus for the use of this information, including use of this information as the basis for manufacture or sale of any items, or for infringement of patents or other rights of third parties. This document is the property of Cirrus and by furnishing this information, Cirrus grants no license, express or implied under any patents, mask work rights, copyrights, trademarks, trade secrets or other intellectual property rights. Cirrus owns the copyrights associated with the information contained herein and gives consent for copies to be made of the information only for use within your organization with respect to Cirrus integrated circuits or other products of Cirrus. This consent does not extend to other copying such as copying for general distribution, advertising or promotional purposes, or for creating any work for resale.

CERTAIN APPLICATIONS USING SEMICONDUCTOR PRODUCTS MAY INVOLVE POTENTIAL RISKS OF DEATH, PERSONAL INJURY, OR SEVERE PROPERTY OR ENVIRONMENTAL DAMAGE (“CRITICAL APPLICATIONS”). CIRRUS PRODUCTS ARE NOT DESIGNED, AUTHORIZED OR WARRANTED FOR USE IN AIRCRAFT SYSTEMS, MILITARY APPLICATIONS, PRODUCTS SURGICALLY IMPLANTED INTO THE BODY, AUTOMOTIVE SAFETY OR SECURITY DEVICES, LIFE SUPPORT PRODUCTS OR OTHER CRITICAL APPLICATIONS. INCLUSION OF CIRRUS PRODUCTS IN SUCH APPLICATIONS IS UNDERSTOOD TO BE FULLY AT THE CUSTOMER’S RISK AND CIRRUS DISCLAIMS AND MAKES NO WARRANTY, EXPRESS, STATUTORY OR IMPLIED, INCLUDING THE IMPLIED WARRANTIES OF MERCHANTABILITY AND FITNESS FOR PARTICULAR PURPOSE, WITH REGARD TO ANY CIRRUS PRODUCT THAT IS USED IN SUCH A MANNER. IF THE CUSTOMER OR CUSTOMER’S CUSTOMER USES OR PERMITS THE USE OF CIRRUS PRODUCTS IN CRITICAL APPLICATIONS, CUSTOMER AGREES, BY SUCH USE, TO FULLY INDEMNIFY CIRRUS, ITS OFFICERS, DIRECTORS, EMPLOYEES, DISTRIBUTORS AND OTHER AGENTS FROM ANY AND ALL LIABILITY, INCLUDING ATTORNEYS’ FEES AND COSTS, THAT MAY RESULT FROM OR ARISE IN CONNECTION WITH THESE USES.

Cirrus Logic, Cirrus, and the Cirrus Logic logo designs are trademarks of Cirrus Logic, Inc. All other brand and product names in this document may be trademarks or service marks of their respective owners.