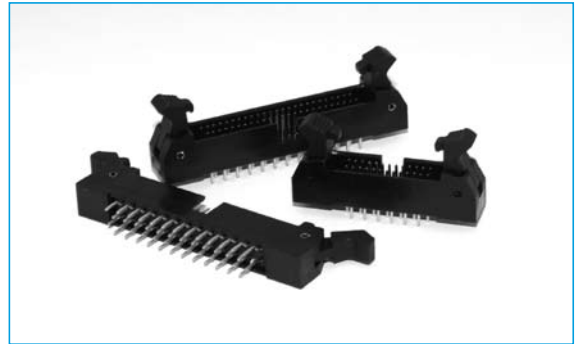


IDC

- Industry compatible
- Competitively priced
- Various Plating contacts available
- 1.27 mm pitch
- Long or Short Latch
- 2.54mm row spacing

SHROUDED LATCHED HEADER STRAIGHT 1.27mm



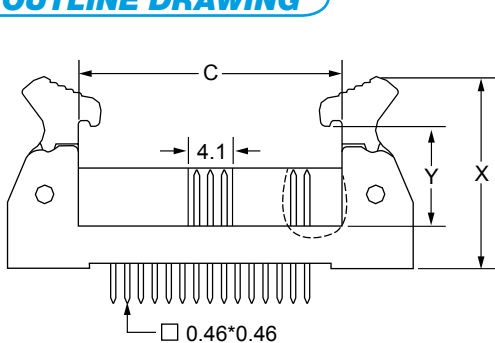
SPECIFICATION

Material & Finish

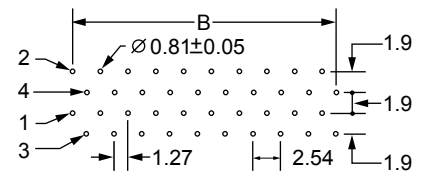
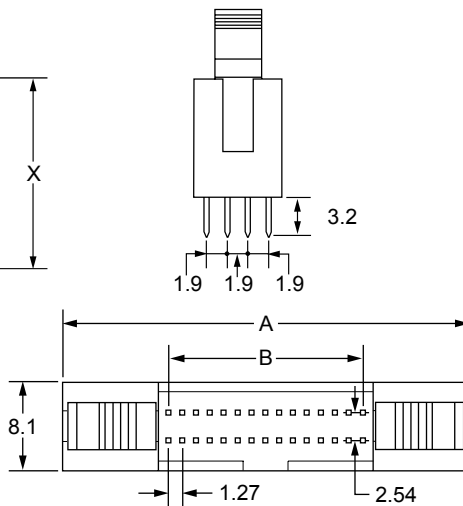
| | |
|---|---------------------------------------|
| Contact Material: | Phosphor Bronze |
| Insulator Material: | PBT, Glass Reinforced, rated UL-94V-0 |
| Current Rating: | 1 Amp |
| Contact Resistance: | 30M Ω Max. |
| Insulator Resistance: | 1000M Ω Min. |
| Dielectric Withstanding Voltage: | 250V AC for One Minute |
| Operating Temperature: | -40°C to + 105°C |

| Position | A | B | C |
|----------|-------|-------|-------|
| 10 | 24.50 | 5.08 | 11.46 |
| 20 | 30.85 | 11.43 | 17.81 |
| 26 | 34.66 | 15.24 | 21.62 |
| 30 | 37.20 | 17.78 | 24.16 |
| 34 | 39.74 | 20.32 | 26.70 |
| 40 | 43.55 | 24.13 | 30.51 |
| 50 | 49.90 | 30.48 | 36.86 |
| 60 | 56.25 | 36.83 | 43.21 |
| 68 | 61.33 | 41.91 | 48.29 |
| 70 | 62.60 | 43.18 | 49.56 |
| 80 | 68.95 | 49.53 | 55.91 |
| 90 | 75.30 | 55.88 | 62.26 |
| 100 | 81.65 | 62.23 | 68.61 |

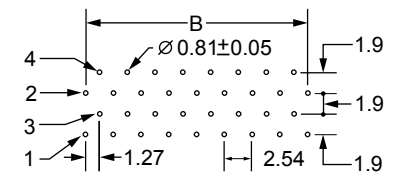
OUTLINE DRAWING



| ACCESSORIES | X | Y |
|-------------|------|-------|
| Long Latch | 19.0 | 10.65 |
| Short Latch | 17.5 | 8.0 |



P.C. BOARD LAYOUT FOR
20,40,60,68,80,100



P.C. BOARD LAYOUT FOR
10,26,30,34,50,70,90

ORDERING INFORMATION

| DBC | IDC | C7B | 30 | B | G | A | 1 |
|---------------------|---------------|--------|--|-------------------|---|-------------------------------|---------|
| Dubilier Connectors | IDC Connector | Series | N° of Ways | Contact Material | Contact Plating | Features | Colour |
| | | | 10=10way 20=20way 26=26way 30=30way 34=34way 40=40way 50=50way | B=Phosphor Bronze | G= Gold Flash S=Selective *=Other Plating available | A=Long Latch b=Short Latch | 1=Black |
| | | | 60=60way 68=68way 70=70way 80=80way 90=90way 100=100way | | | | |