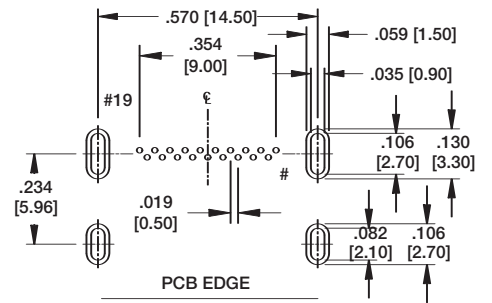
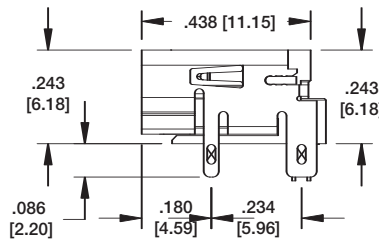
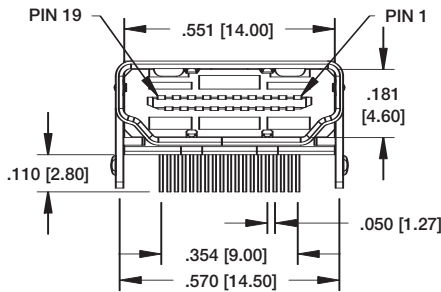
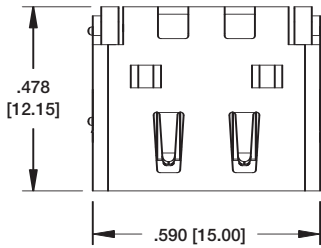


#### HDMI RIGHT ANGLE RIGHT ANGLE THRU-HOLE



**HDMI-S-RA-1**

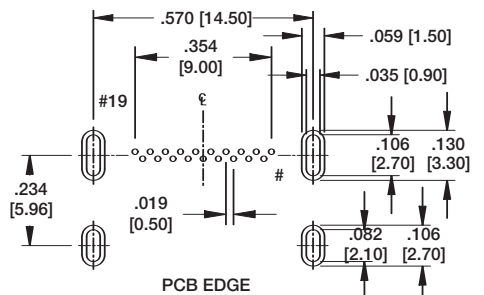
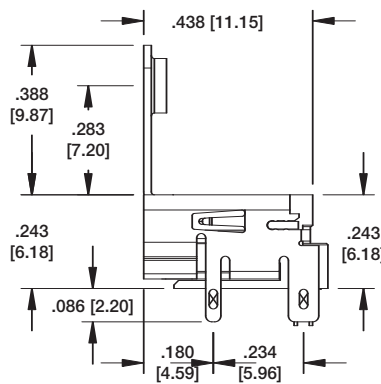
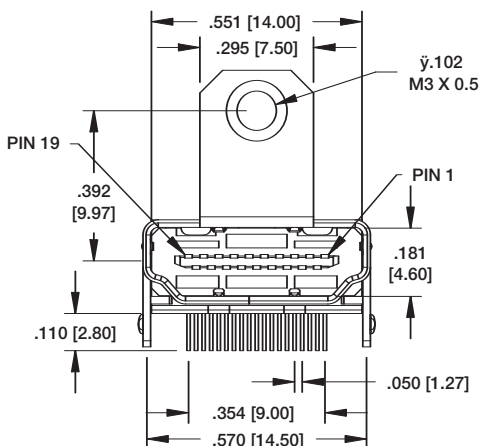
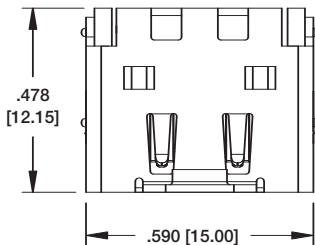


**Recommended PCB Layout**

#### HDMI RIGHT ANGLE RIGHT ANGLE THRU-HOLE WITH MOUNTING FLANGE

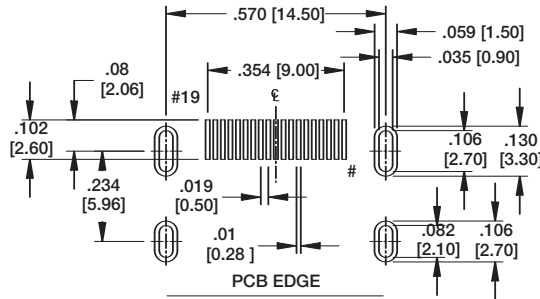
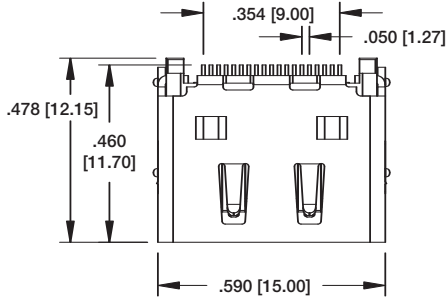


**HDMI-S-RA-1-MF**

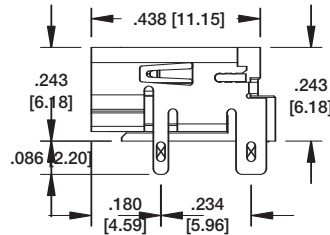
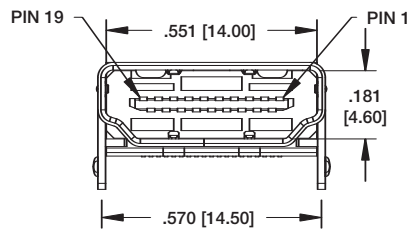


**Recommended PCB Layout**

#### HDMI RIGHT ANGLE SMT

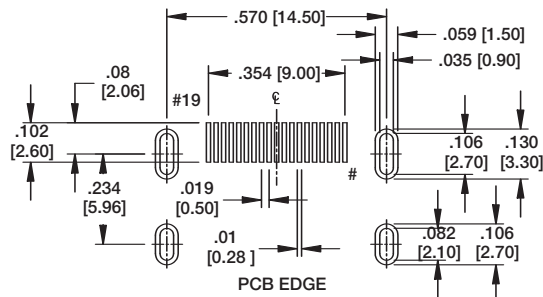
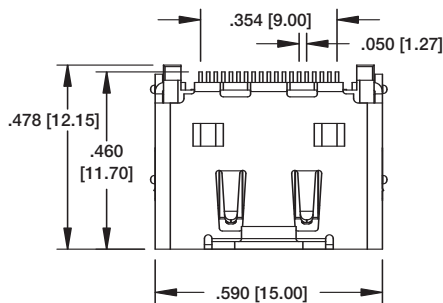


Recommended PCB Layout

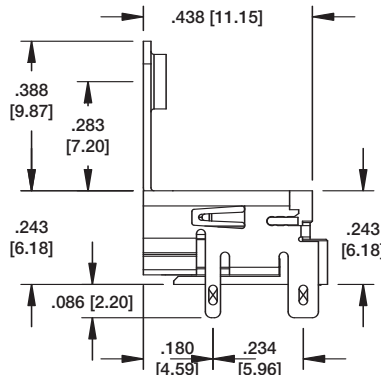
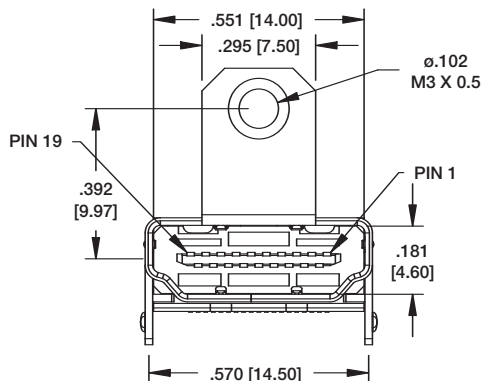


HDMI-S-RA-SMT

#### HDMI RIGHT ANGLE SMT WITH MOUNTING FLANGE

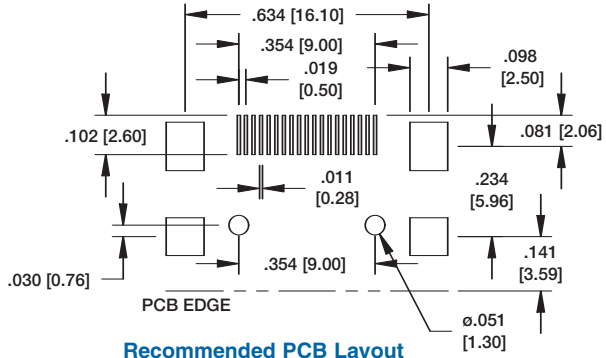
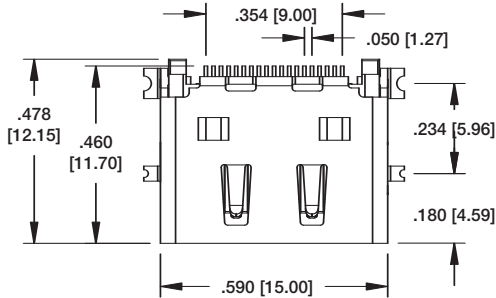


Recommended PCB Layout

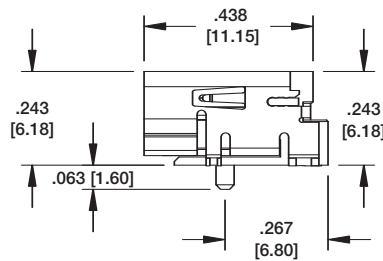
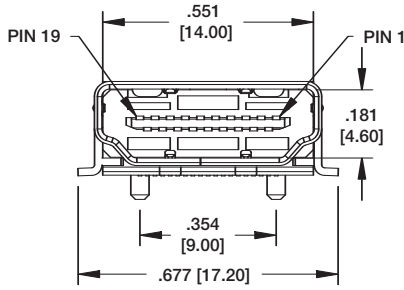


HDMI-S-RA-SMT-MF

**HDMI  
RIGHT ANGLE TRUE SMT**

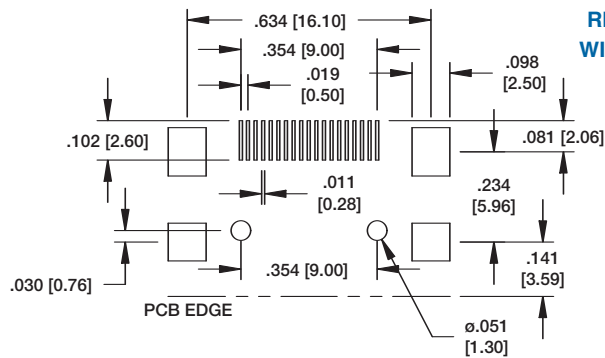
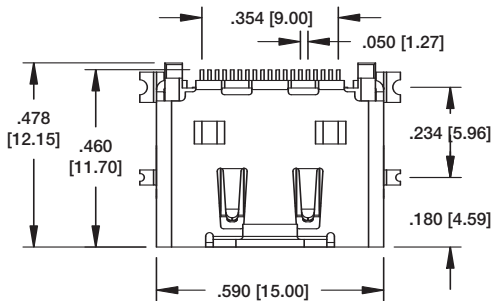


**Recommended PCB Layout**

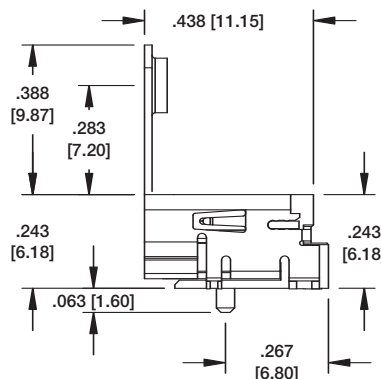
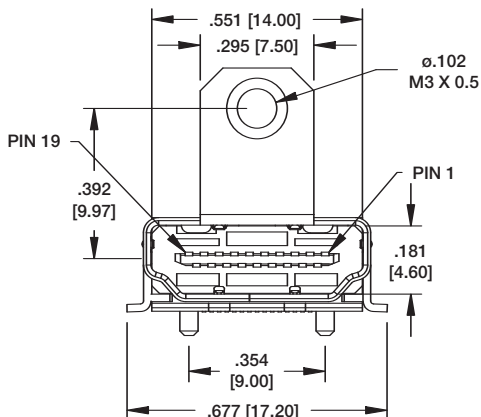


**HDMI-S-RA-TSMT**

**HDMI  
RIGHT ANGLE TRUE SMT  
WITH MOUNTING FLANGE**



**Recommended PCB Layout**



**HDMI-S-RA-TSMT-MF**