

Specifications

Insulation Resistance:	1,000M Ω min. at 500V DC
Dielectric Withstanding Voltage:	700V AC for 1 minute
Contact Resistance:	20m Ω max. at 10mA/20mV max.
Current Rating:	1A max.
Operating Temperature Range:	-40°C to +150°C cont. (IC7612) -40°C to +170°C cont. (IC7620)
Mating Cycles:	25,000 to 50,000 insertions

Materials and Finish

Housing: Polysulphone (PSF), glass-filled - UL94V-0 rated
Polyethersulphone (PES), glass-filled - UL94V-0 rated
Contacts: Beryllium Copper (BeCu)
Plating: Gold over Nickel

Features

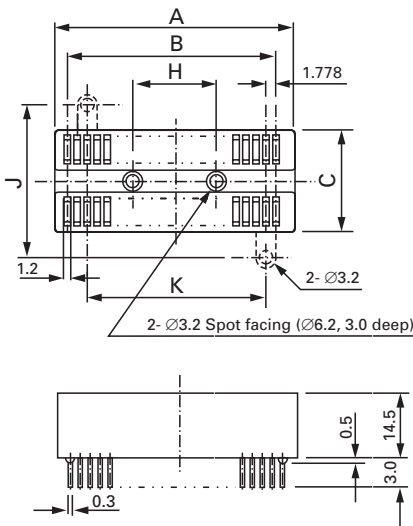
- Shrink pitch (1.778mm) sockets for high-density mounting
- Dual wipe contacts ensure high reliability

Part Number (Details)

IC76	**	- 40	06	- G	4	MF
Series No.						
Housing Material (12=PSF, 20= PES)						
No. of Contact Pins						
Row Space (06 = 0.6 inches)						
Contact Plating (G = Gold Plating)						
Straight, Through Hole Type						
MF = Flanged Unmarked = Not Flanged						

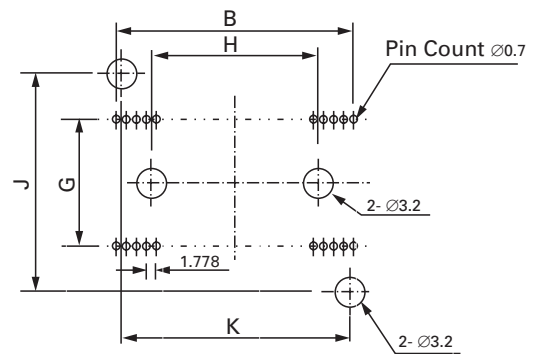


Outline Socket Dimensions



Recommended PC Board Layout

Top View from Socket



Part Number	Pin Count	A	B	C	D	E	F	G	H	J	K
IC76**-2003-G4 **	20	20.0	1.778 x 9 = 16.002	17.0	8.3	2.0	7.5	11.4	-	23.0	11.0
IC76**-2006-G4 **	20	19.5	1.778 x 9 = 16.002	24.6	15.9	8.0	10.3	19.0	-	30.6	11.0
IC76**-2203-G4 **	22	22.0	1.778 x 10 = 17.78	17.0	8.3	2.0	7.5	11.4	-	23.0	11.0
IC76**-2403-G4 **	24	24.0	1.778 x 11 = 19.558	17.0	8.3	2.0	7.5	11.4	-	23.0	13.0
IC76**-2804-G4 **	28	27.5	1.778 x 13 = 23.114	19.5	10.8	2.9	8.0	13.9	-	25.5	16.5
IC76**-3004-G4 **	30	29.0	1.778 x 14 = 24.892	19.5	10.8	2.9	8.0	13.9	-	25.5	16.5
IC76**-4006-G4 **	40	38.0	1.778 x 19 = 33.782	24.6	15.9	8.0	10.3	19.0	25.5	30.6	25.5
IC76**-4206-G4 **	42	39.5	1.778 x 20 = 35.56	24.6	15.9	8.0	10.3	19.0	25.5	30.6	25.5
IC76**-4806-G4 **	48	45.0	1.778 x 23 = 40.894	24.6	15.9	8.0	10.3	19.0	26.0	30.6	26.0
IC76**-5206-G4 **	52	48.5	1.778 x 25 = 44.45	24.6	15.9	8.0	10.3	19.0	28.0	30.6	28.0
IC76**-64075-G4 **	64	59.5	1.778 x 31 = 55.118	28.4	19.7	11.8	13.7	22.8	29.5	38.2	29.5

Specifications

Insulation Resistance: 1,000M min. at 500V DC
 Dielectric Withstanding Voltage: 700V AC for 1 minute
 Contact Resistance: 20m max. at 10mA max.
 Current Rating: 1A max.
 Operating Temperature Range: -40°C to +150°C
 Mating Cycles: 25,000 to 50,000 insertions

Materials and Finish

Housing: Polyetherimide (PEI), glass-filled - UL94V-0 rated
 Contacts: Copper Alloy
 Plating: Gold over Nickel

Features

- Shrink pitch (1.778mm) sockets for high-density mounting
- Dual wipe contacts ensure high reliability
- Two terminal lengths (3mm / 5mm) available.
 The 5mm type can be used as a piggy-back socket

Part Number (Details)

IC121 - 52 06 - G 4 L MF

Series No.

No. of Contact Pins

Row Space (06 = 0.6 inches)

Contact Plating (G = Gold Plating)

Straight Solder Dip Terminal

Terminal Length Option:

L = 5mm

Unmarked = 3mm

MF = Flanged

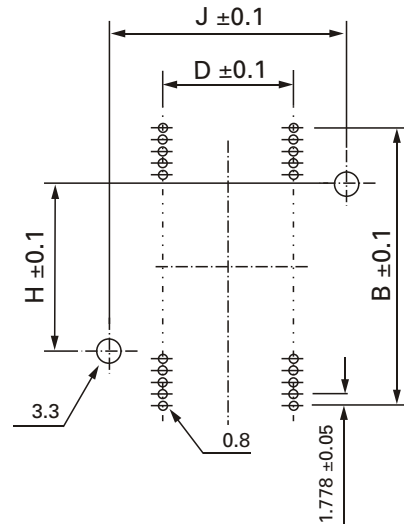
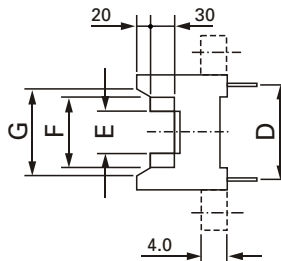
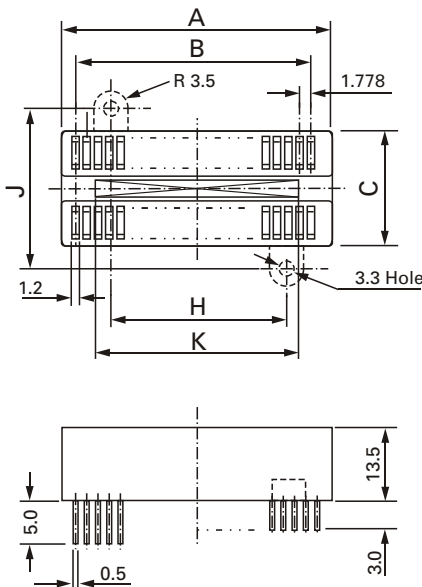
Unmarked = Not Flanged



Outline Socket Dimensions

Recommended PC Board Layout

Top View from Socket



Part Number	Pin Count	A	B	C	D	E	F	G	H	J	K
IC121-24055-G4 **	24	24.50	19.558	22.80	14.86	7.27	14.86	16.46	12.0	29.0	-
IC121-2403-G4 **	24	24.00	19.558	15.00	8.30	2.00	8.30	10.10	12.0	21.0	-
IC121-2804-G4 **	28	27.50	23.111	17.0	10.60	3.00	10.60	12.20	16.0	23.0	-
IC121-4006-G4 **	40	38.20	33.782	22.8	16.54	9.27	16.54	18.14	26.0	29.0	5.5
IC121-4206-G4 **	42	40.00	35.56	22.8	16.54	9.27	16.54	18.14	20.0	29.0	5.5
IC121-4806-G4 **	48	45.50	40.894	22.8	16.54	9.27	16.54	18.14	26.0	29.0	5.5
IC121-5206-G4 **	52	49.00	44.45	22.8	16.54	9.27	16.54	18.14	36.0	29.0	5.5
IC121-5606-G4 **	56	52.50	48.006	22.8	16.54	9.27	16.54	18.14	36.6	29.0	5.5
IC121-64075-G4 **	64	60.00	55.188	26.8	19.80	11.40	19.80	21.40	40.0	32.4	9.4
IC121-9009-G4 **	90	83.54	78.232	32.2	23.50	15.60	23.50	25.10	52.0	38.2	13.6