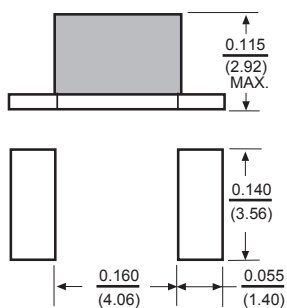
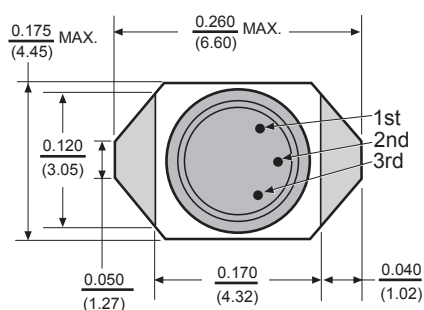
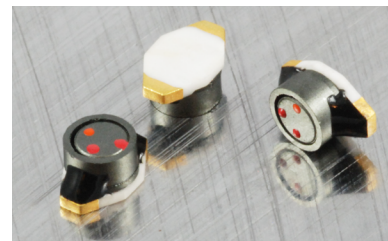


PCSB20 Power Chip Shielded Backlight Inductors



Dimensions: Inches
(mm)



Features

- Designed for use in back light applications
- Ultra miniature size for high density mounting
- Magnetically shielded
- Designed with heat resistant materials for reflow operation
- Flat top for pick and place assembly
- Non standard values are available

Electrical

Inductance Range: 100 μ h to 10000 μ h.

Tolerance: \pm 20% over the entire inductance range.

Test Frequency: Inductance measured at 100KHz, 0.1 Vrms.

Operating Temp. Range: -40° to +85°C.

Physical

Marking: Color Code using standard EIA three dot system.

Packaging: 2500 pieces per 13 inch reel.

| Allied Part Number | Inductance (μ h) | Tolerance (%) | SRF Reference (MHz) | DCR Max. (Ω) | *Rated Current Irms (mA) |
|--------------------|-----------------------|---------------|---------------------|-----------------------|--------------------------|
| PCSB20-101M-RC | 100 | 20 | 12 | .95 | 220 |
| PCSB20-151M-RC | 150 | 20 | 10 | 1.4 | 200 |
| PCSB20-221M-RC | 220 | 20 | 8 | 1.7 | 180 |
| PCSB20-331M-RC | 330 | 20 | 6 | 2.2 | 160 |
| PCSB20-471M-RC | 470 | 20 | 5 | 3.8 | 140 |
| PCSB20-681M-RC | 680 | 20 | 4 | 4.9 | 120 |
| PCSB20-102M-RC | 1000 | 20 | 2 | 9 | 100 |
| PCSB20-152M-RC | 1500 | 20 | 1 | 11 | 80 |
| PCSB20-222M-RC | 2200 | 20 | 1 | 19 | 50 |
| PCSB20-332M-RC | 3300 | 20 | 1 | 24 | 40 |
| PCSB20-472M-RC | 4700 | 20 | 1 | 30 | 30 |
| PCSB20-682M-RC | 6800 | 20 | 0.9 | 56 | 20 |
| PCSB20-103M-RC | 10000 | 20 | 0.8 | 74 | 10 |

*Temperature rise shall not be more than 30°C at Irms.
All specifications subject to change without notice.