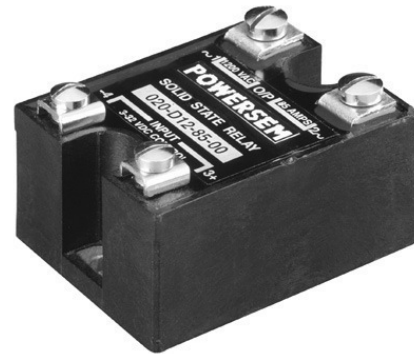


Single Phase Solid State Relays

HIGHLIGHTS

- INPUT: AC CONTROL
- OUTPUT: DIRECT COPPER BONDED BACK-TO-BACK SCR
- OPTO ISOLATION 2500 VAC (4000 V optional)
- ZERO VOLTAGE TURN-ON or RANDOM TURN-ON
- HIGH DV/DT
- SAFETY COVER (optional)
- CHASSIS MOUNTABLE
- LED INDICATOR SHOWING RELAY 'ON' STATUS
- Weight = 106 g

Series: 20 SJ/K



(J: Zero voltage turn-on; K: Random turn-on)

25 – 90 A

ELECTRICAL SPECIFICATIONS

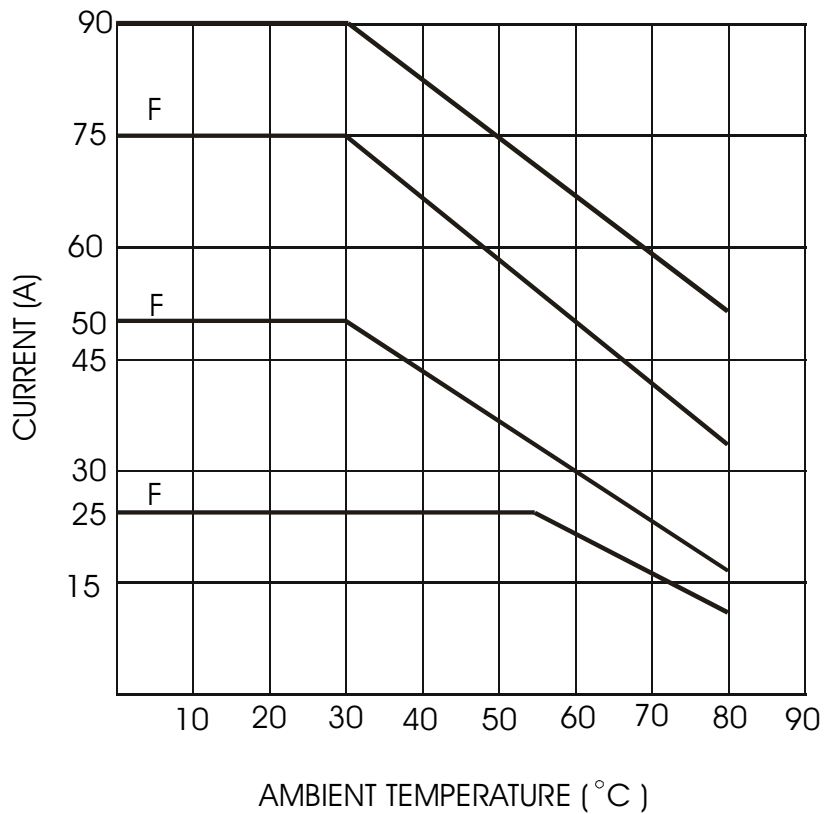
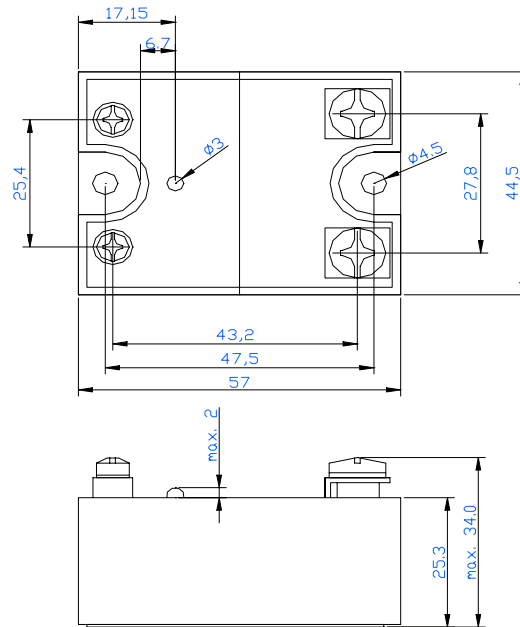
Parameter	Symbol	Type				Unit
		PSB 20 A 122528	PSB 20 A 125028	PSB 20 A 127528	PSB 20 A 129028	
AC CONTROL						
Control voltage range		90-280	90-280	90-280	90-280	Vac
Control current range		4-25	4-25	4-25	4-10	mA
Pick-up voltage		90	90	90	90	Vac
Drop-out voltage		10	10	10	10	Vac
Input resistance		Current regulator				
OUTPUT						
Mains control voltage	V_{RMS}	100-480	100-480	100-480	100-480	Vac
Repetitive peak off state voltage	V_{DRM}	1200-1600	1200-1600	1200-1600	1200-1600	Vpk
RMS on-state current	I_T	25	50	75	90	A
Zero turn-on voltage		35	35	35	35	Vac
On-state voltage drop	V_{TM}	1.6	2.0	2.0	2.0	Vac
Off-state leakage current @ rated voltage	I_{DRM}	10	10	10	10	mA
Peak one cycle surge current (non-rep)	I_{TSM}	400	500	1150	1350	A
Holding current	I_H	250	250	250	250	mA
Critical rate of rise of off-state voltage	dv/dt	1000	1000	1000	1000	V/ μ s
Thermal resistance (junction to case)	R_{thjc}	1.38	0.7	0.6	0.56	K/W
Frequency range	f	47-63	47-63	47-63	47-63	Hz
Operating temperature	T_O	-30 to +80	-30 to +80	-30 to +80	-30 to +80	°C
Turn-on time	T-on	40	40	40	40	ms
Turn-off time	T-off	80	80	80	80	ms
Fusing current	I_t^2	600	1250	5000	5000	A ² s



Single Phase Solid State Relays

MECHANICAL SPECIFICATIONS

Dimensions in mm



EXTERNAL HEATSINK THERMAL RESISTANCE: 0,14 K/W
 VALID FOR SERIES: PSB 20 SJK (25 - 90 A)