

D-PAK Surface Mount Schottky Barrier Rectifiers

(Pb) Lead(Pb)-Free

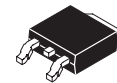
Features:

- * Plastic package has Underwriters Laboratory Flammability Classification 94V-O Utilizing Flame Retardant Epoxy Molding Compound.
- * For surface mounted applications
- * Exceeds environmental standards of MIL-S-19500 / 228
- * Low leakage current

Mechanical Data:

- * Case : Molded plastic, TO-252 / DPAK
- * Terminals : Solder plated, solderable per MIL-STD-750, Method 2026
- * Polarity : Indicated by marking
- * Mounting Position : Any
- * Weight : 0.34gram

REVERSE VOLTAGE
40 VOLTS
FORWARD CURRENT
10 AMPERES

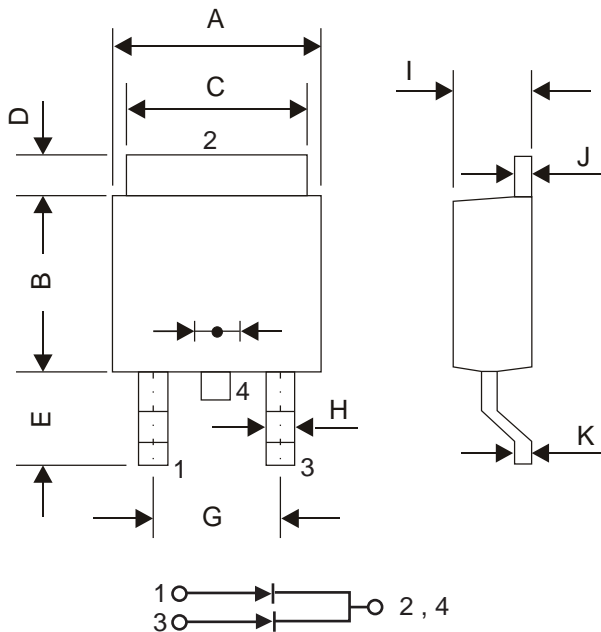


D-PAK(TO-252)

D-PAK Outline Dimension

Unit:mm

D-PAK / TO-252



D-PAK		
Dim	Min	Max
A	6.30	6.70
B	5.80	6.20
C	5.10	5.50
D	0.80	1.00
E	2.50	2.90
G	4.30	4.70
H	0.08	1.00
I	2.10	2.50
J	0.40	0.60
K	0.40	0.60

MAXIMUM RATINGS (@ $T_A=25^\circ\text{C}$ unless otherwise noted)

Characteristic	Symbol	1020	1030	1040	1050	1060	1080	10100	10150	10200	Unit
Repetitive peak reverse voltage	V_{RRM}	20	30	40	50	60	80	100	150	200	V
Maximum RMS Voltage	V_{RMS}	14	21	28	35	42	56	70	105	140	V
Continuous Reverse Voltage	V_R	20	30	40	50	60	80	100	150	200	V
Forward Rectified Current (Fig.1)	$I_F(AV)$	10									A
Peak Forward Surge Current, 8.3ms Single Half Sine-Wave Superimposed on Rate Load (JEDEC Methode)	I_{FSM}	100									A
Maximum forward voltage @ $I_F=5.0A$	V_F	0.55		0.75		0.85		1.0		V	
Maximum Reverse current $V_R = V_{RRM}, T_A = 25^\circ\text{C}$ $V_R = V_{RRM}, T_A = 100^\circ\text{C}$	I_R	0.5 20									mA
Thermal Resistance Junction to Ambient	$R_{\theta JA}$	80									$^\circ\text{C/W}$
Thermal Resistance Junction to case	$R_{\theta JC}$	3.0									$^\circ\text{C/W}$
Operating Temperature Range	T_J	-55 to +125									$^\circ\text{C}$
Storage Temperature Range	T_{STG}	-55 to +150									$^\circ\text{C}$

Device Marking

	SKFM1020	SKFM1030	SKFM1040	SKFM1050	SKFM1060	SKFM1080	SKFM10100	SKFM10150	SKFM10200
Marking	SK1020	SK1030	SK1040	SK1050	SK1060	SK1080	SK10100	SK10150	SK10200

RATING AND CHARACTERISTIC CURVES

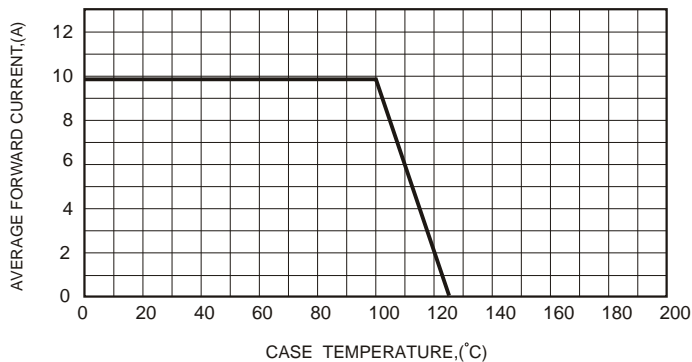


FIG.1-TYPICAL FORWARD CURRENT DERATING CURVE

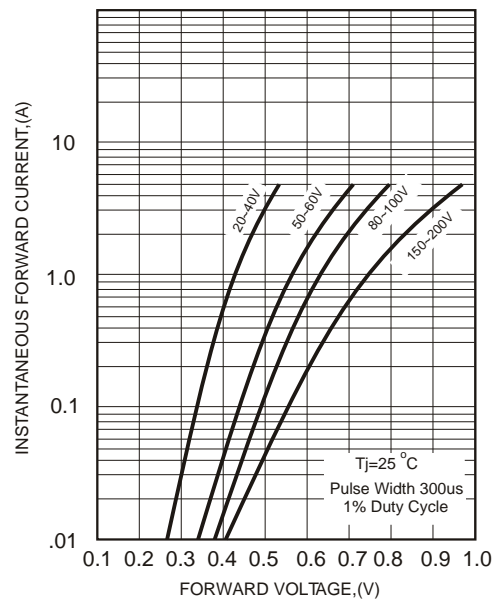


FIG.2-TYPICAL FORWARD CHARACTERISTICS

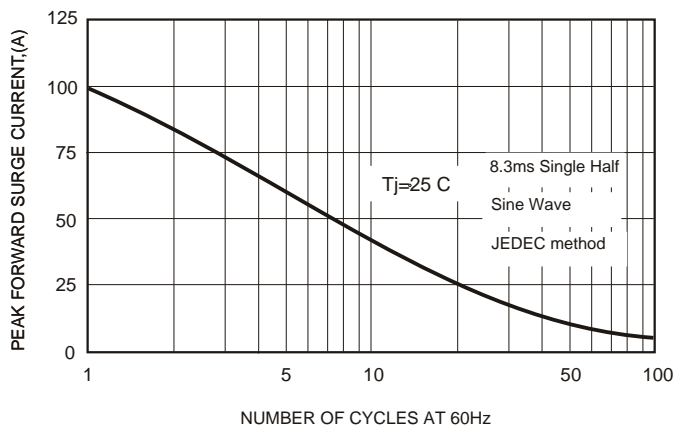


FIG.3-MAXIMUM NON-REPETITIVE FORWARD SURGE CURRENT

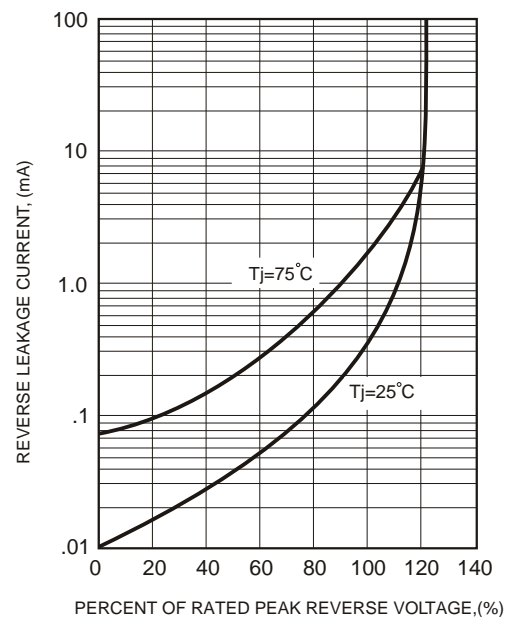


FIG.4 - TYPICAL REVERSE CHARACTERISTICS