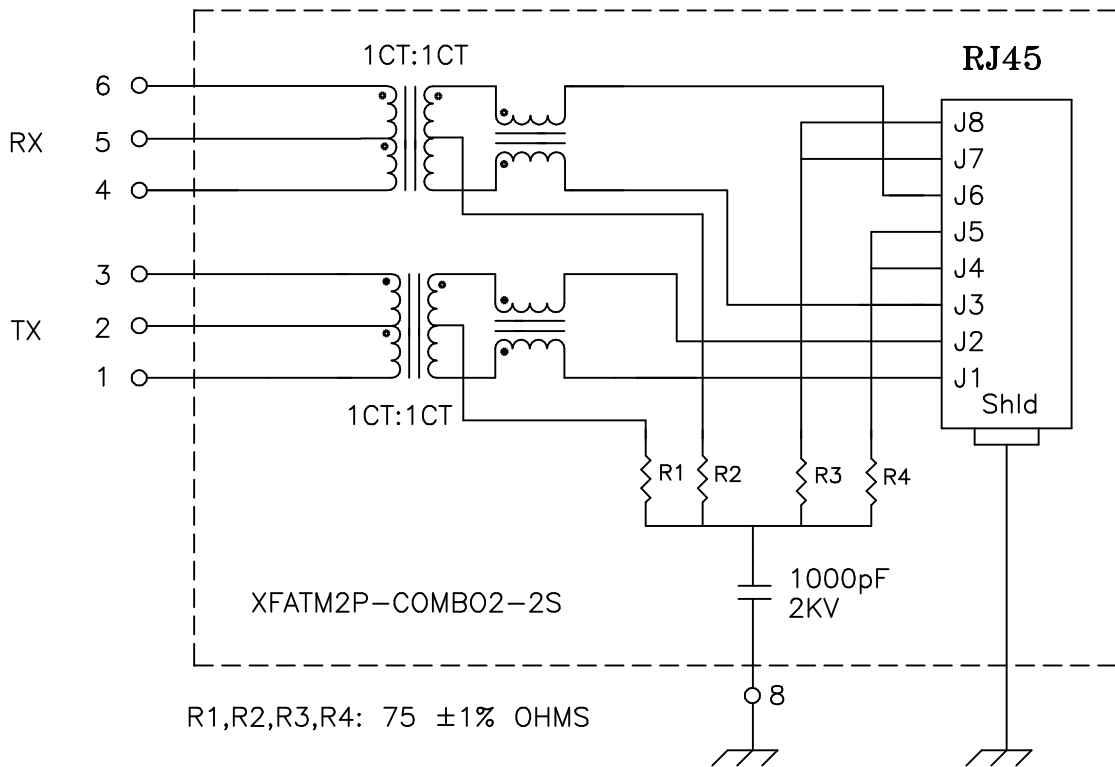


Schematic:



Electrical Specifications: @25°C

Isolation Voltage: 1500 Vac (J1+J2 to P1+P3), (J3+J6 to P4+P6)

Isolation Voltage: 500 Vac (1+2+3 to 4+5+6)

OCL: P6-P4, 350uH Min @100KHz 100mV 8mADC

OCL: P3-P1, 350uH Min @100KHz 100mV 8mADC

DCR: J6-J3 = J2-J1, 1.20 Ohms Max

Interwinding Capacitance: 30pF Max (P6,P5,P4 to J6,J3)

Interwinding Capacitance: 30pF Max (P3,P2,P1 to J2,J1)

Rise Time (10-90%): 3.0ns Max

Insertion Loss (300KHz-100MHz): -1.1dB Maximum

Insertion Loss (100MHz-125MHz): -1.5dB Maximum

Return Loss: -12dB Typical @1MHz - 80MHz

Crosstalk:

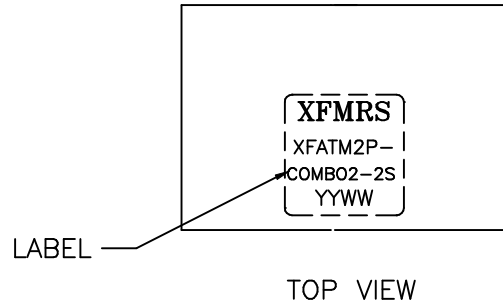
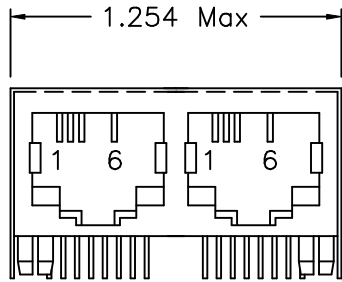
1MHz-100MHz -40dB Typical

Common Mode to Differential Mode Rejection:

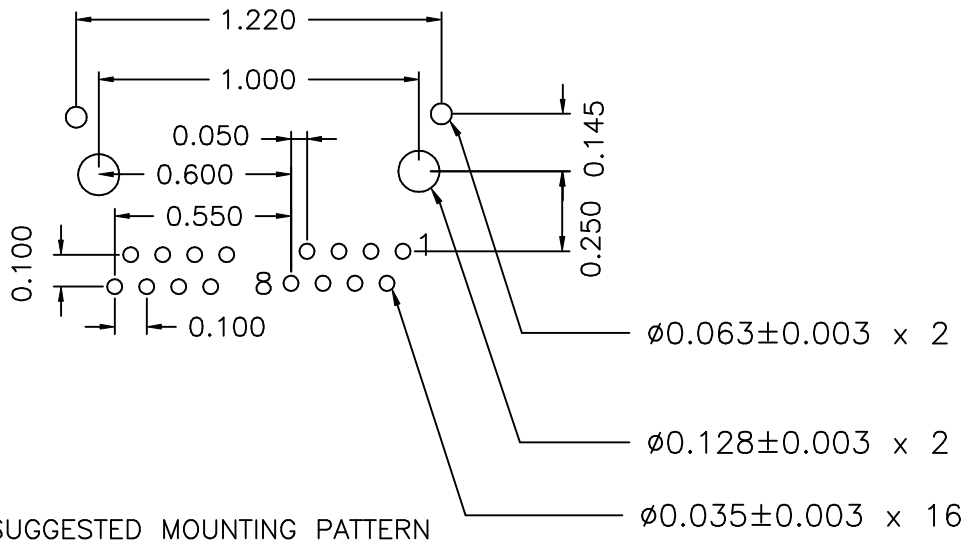
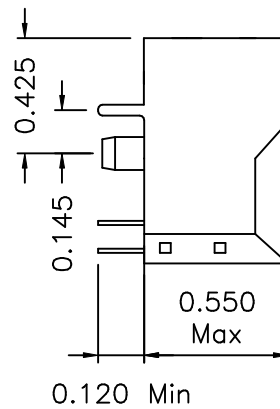
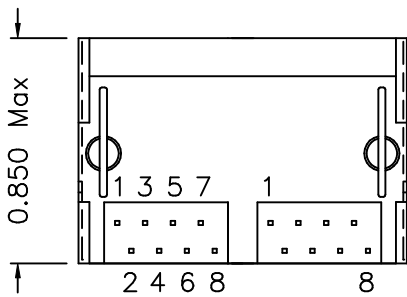
30MHz-100MHz -35dB Typ (Tx) / -35dB Typ (Rx)

<p>XFMRs Inc.</p> <p>UNLESS OTHERWISE SPECIFIED TOLERANCES: .xxx ±0.010 Dimensions in Inch SHEET 1 OF 2</p>	Title: DUAL PORT COMBO		
	P/N: XFATM2P-COMBO2-2S		REV. A
	DWN.	BW	Jul-6-00
	CHK.	Joe Huff	Jul-6-00
	APP.	AEI	Jul-6-00

Mechanical Dimensions: (FOR COMB02-2S)



TOP VIEW



SUGGESTED MOUNTING PATTERN

XFMRs Inc. UNLESS OTHERWISE SPECIFIED TOLERANCES: .xxx ±0.010 Dimensions in Inch SHEET 2 OF 2	Title: Mechanical Dimensions For COMB02-2S Series		
	P/N: XFATM2P-COMB02-2S		REV. A
	DWN.	BW	Jul-6-00
	CHK.	Joe Huff	Jul-6-00
	APP.	AEI	Jul-6-00

DOC REV: A/1