

MULTILAYER CHIP BALANCE-EMI FILTER

AMBF22



RoHS
Compliant



2.5 x 2.0 x 1.2mm

FEATURES:

- Phase difference 180 ± 10 degrees
- Amplitude difference 1 dB max
- Can simplify the complex tuning and circuit design
- Low insertion loss and high attenuation as well as small size SMD chip design

APPLICATIONS:

- W-LAN
- Bluetooth
- Wireless Communications

STANDARD SPECIFICATIONS:

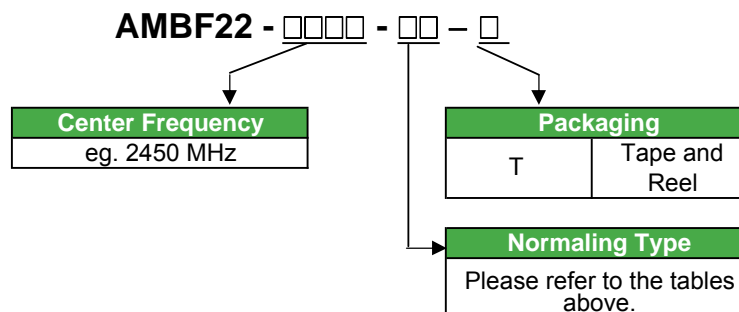
PARAMETERS

ABRACON P/N:	AMBF22 Series
Operating temperature:	-25°C to + 85°C
Storage temperature:	-55°C to + 125°C

Part No.	AMBF22-2450-01	AMBF22-2450-06
Unbalance Port Impedance	50Ω	50Ω
Balance Port Impedance	100Ω (50Ω+50Ω)	36+j73 Ω
Center Frequency	2450.0 MHz	2450.0 MHz
Insertion Loss	≤3.0dB (at 25°C±5°C)	≤3.0dB (at 25°C±5°C)
	≤3.3dB (at -40°C~85°C)	≤3.5dB (at -40°C~85°C)
Band Width	2400~2500 MHz	2400~2500 MHz
V.S.W.R at Unbalance Port (in BW)	≤2.0 (2400~2500 MHz)	≤2.0 (2400~2500 MHz)
Attenuation	≥48 (880~960 MHz)	≥48 (880~960 MHz)
	≥40 (1880~1990 MHz)	≥40 (1880~1990 MHz)
	≥25 (2110~2170 MHz)	≥25 (2110~2170 MHz)
	≥30 (4800~5000 MHz)	≥30 (4800~5000 MHz)
Phase difference	180±5 Deg.	180±5 Deg.

OPTIONS AND PART IDENTIFICATION:

(Left blank if standard)



MULTILAYER CHIP BALANCE-EMI FILTER

AMBF22

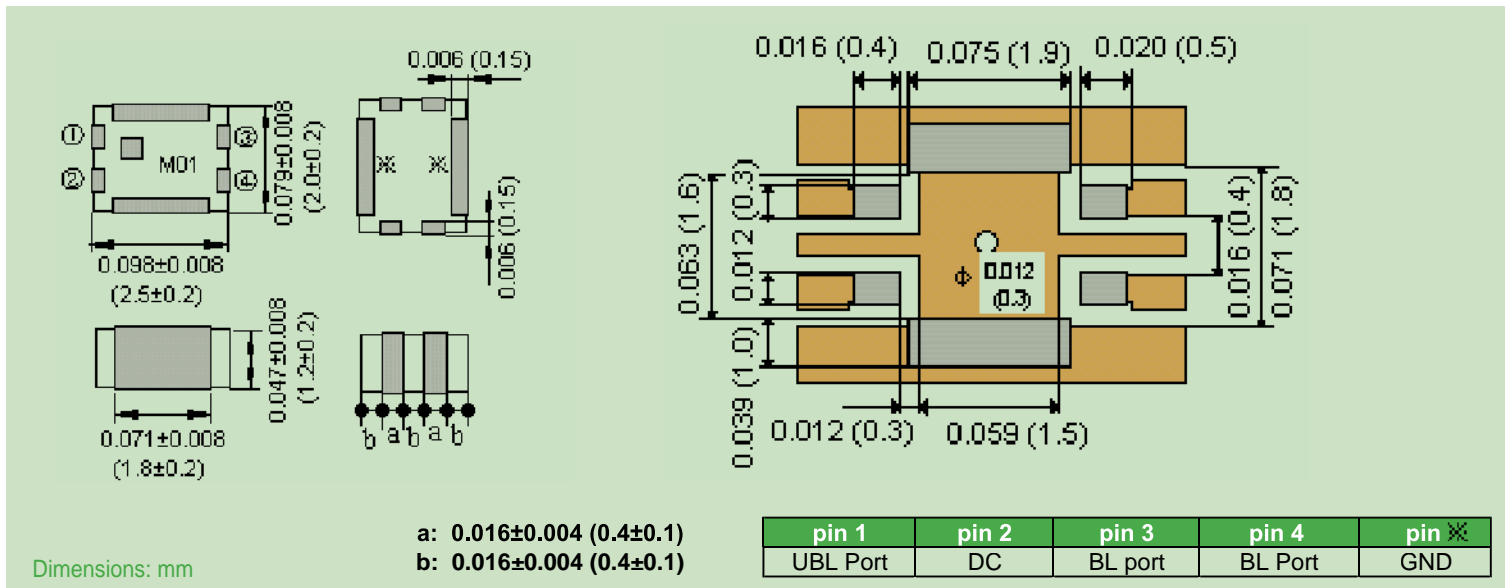


RoHS
Compliant



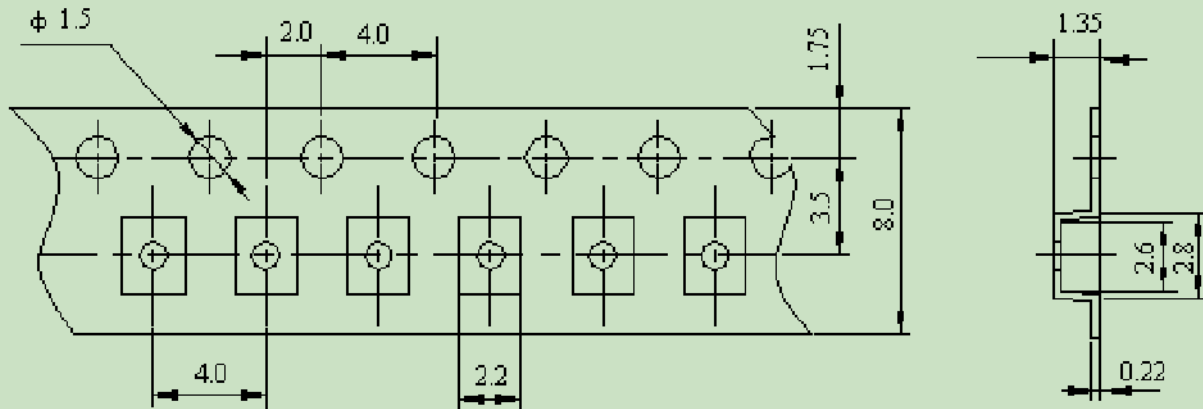
2.5 x 2.0 x 1.2mm

OUTLINE DRAWING:

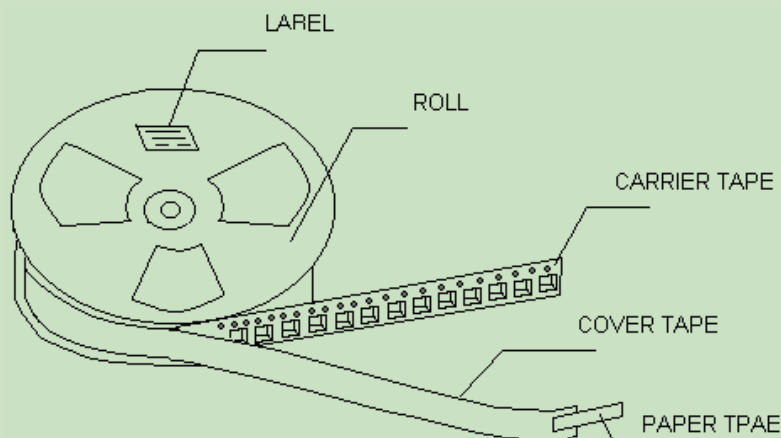


TAPE & REEL: Tape and reel 2,500pcs/reel

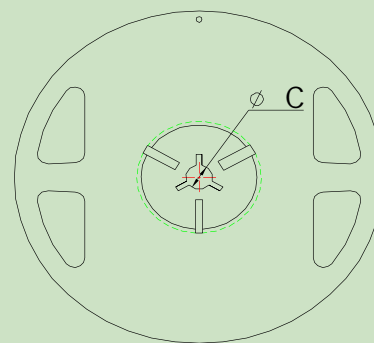
Dimensions of Tape



Taping figure and drawing direction



Dimensions of Reel



	mm
A	178±2
B	60±2
C	13.0±0.5
W	10.0±1.15
T	12.0±1.0

Dimensions: mm

ABRACON IS
ISO 9001 / QS 9000
CERTIFIED



Visit www.abracon.com for Terms & Conditions of Sale **Revised: 08.24.07**
30332 Esperanza, Rancho Santa Margarita, California 92688
tel 949-546-8000 | fax 949-546-8001 | www.abracon.com