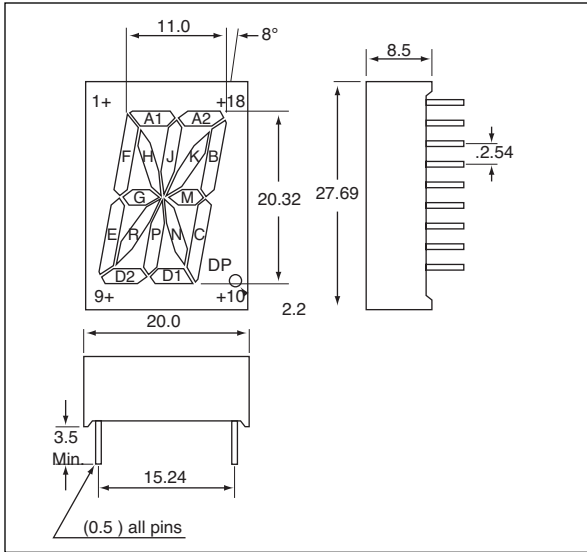


Unit: mm



Product specifications contained herein may be changed without prior notice. It is therefore advisable to contact Purdy Electronics before proceeding with the design of equipment incorporating this product.

AND-8010-B Series

GaAsP/GaP-Red; GaP-Green

16 Segment, Single Digit, 0.8 Inch

Features

- 16 segment alphanumeric displays
- 0.8 inch character height
- Available in red or green
- Suitable for computer peripherals and terminal displays for viewing at a distance
- Available in both common cathode and common anode
- RoHS Compliant

Description

Size	Number of Digits	Common		Color		Number of Pins
		Cathode	Anode	Display	Face	
0.8 inch	1	AND-8010SCLB	AND-8010SALB	Red	Red	18
0.8 inch	1	AND-8010GCLB	AND-8010GALB	Green	Gray	18

Absolute Maximum Ratings (T = 25°C)

Characteristics	Symbol	Rating	Unit
DC Forward Current/Segment	$I_F(DC)/SEG$	30	mA
Pulse Forward Current/Segment (1us Pulse - .3% Duty Cycle)	I_{FP}/SEG	100	mA
Reverse Voltage/Segment	V_R	3 (Red), 5 (Green)	V
Operating Temperature Range	T_{Opr}	-25 to 85	°C
Storage Temperature Range	T_{Stg}	-25 to 100	°C

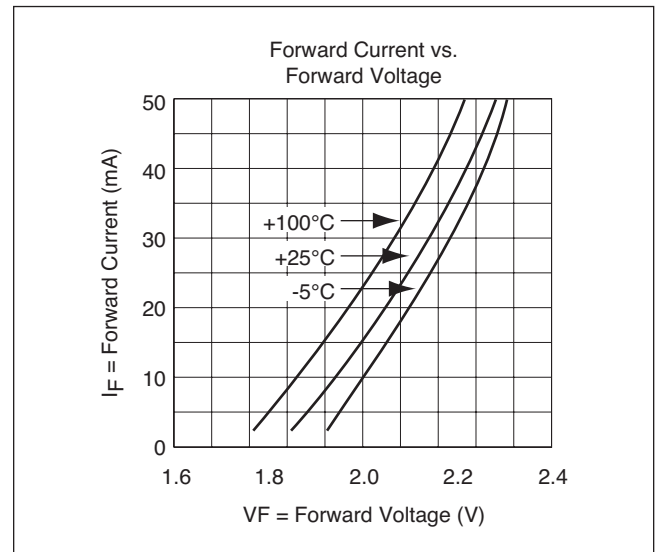
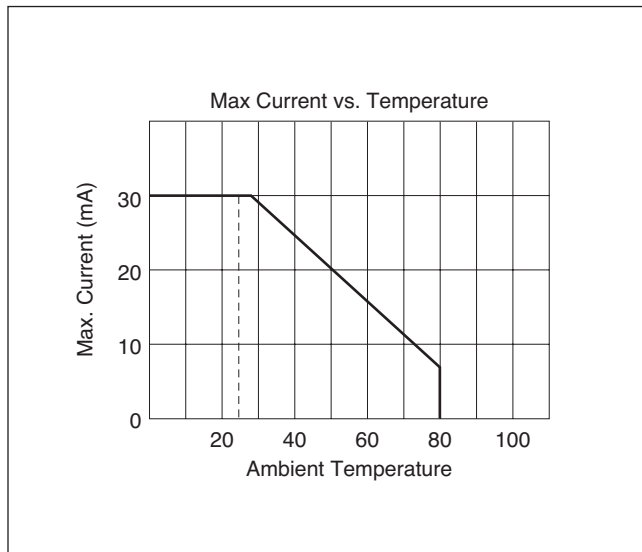
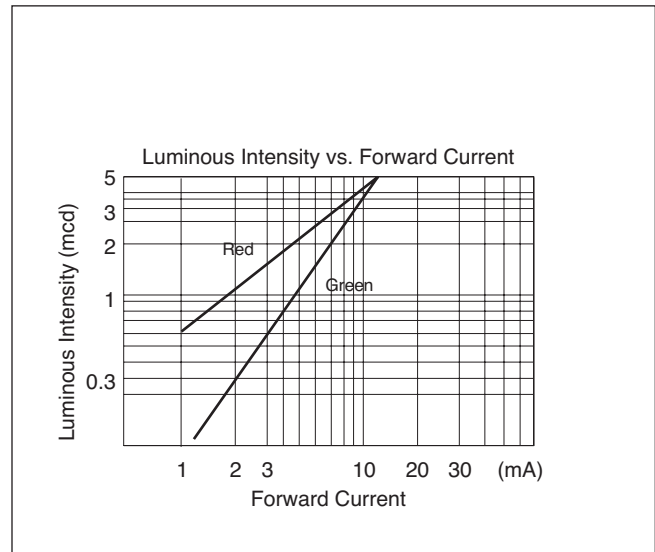
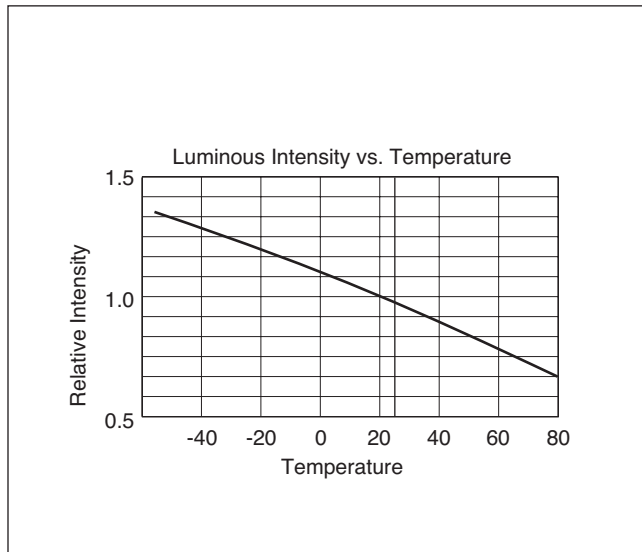
Electro-Optical Characteristics (T = 25°C)

Characteristics	Symbol	Test Condition	Minimum	Typical	Maximum	Unit
Forward Voltage	V_F	$I_F = 10 \text{ mA}$	-	2.1	3.0	V
Reverse Current	I_R	$V_R = 3 \text{ (Red)}, 5 \text{ (Green)}$	-	-	100	μA
Luminous Intensity Per Segment	Red	$I_F = 10 \text{ mA}$	2.3	3.8	-	mcd
	Green		2.0	3.3	-	
Peak Emission Wavelength	Red	$I_F = 10 \text{ mA}$	-	635	-	nm
	Green		-	567	-	
Spectral Line Half Width	Red	$I_F = 10 \text{ mA}$	-	40	-	nm
	Green		-	30	-	

Precaution

Please be careful of the following:

1. Soldering temperature: 260°C max; Soldering time: 3 sec. max; Soldering portion of lead: up to 2 mm from the body of the device.
2. The lead can be formed up to 5 mm from the body of the device without forming stress. Soldering should be performed after the lead forming.



AND-8010-B Series Pin Connection Table

AND-8010GCLB			
Pin	Connection	Pin	Connection
1	A2 Seg. Anode	10	D1 Seg. Anode
2	A1 Seg. Anode	11	D2 Seg. Anode
3	F Seg. Anode	12	Common Cathode
4	H Seg. Anode	13	C Seg. Anode
5	E Seg. Anode	14	G Seg. Anode
6	J Seg. Anode	15	B Seg. Anode
7	P Seg. Anode	16	M Seg. Anode
8	R Seg. Anode	17	Common Cathode
9	N Seg. Anode	18	K Seg. Anode

AND-8010GALB			
Pin	Connection	Pin	Connection
1	A2 Seg. Cathode	10	D1 Seg. Cathode
2	A1 Seg. Cathode	11	D2 Seg. Cathode
3	F Seg. Cathode	12	Common Anode
4	H Seg. Cathode	13	C Seg. Cathode
5	E Seg. Cathode	14	G Seg. Cathode
6	J Seg. Cathode	15	B Seg. Cathode
7	P Seg. Cathode	16	M Seg. Cathode
8	R Seg. Cathode	17	Common Anode
9	N Seg. Cathode	18	K Seg. Cathode