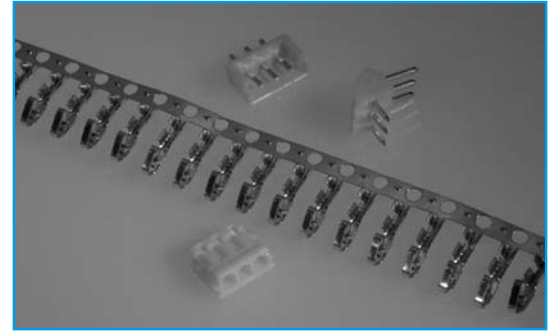


BOARD TO WIRE CONNECTORS

LOW PROFILE POLARISED 2.5mm PITCH

- 2 - 16 ways
- Accepts wire of 30 - 22 AWG
- Housing, Wafer and Terminal Available
- Current rating 3A AC, DC
- Voltage rating 250VAC, DC



SECTION 8

SPECIFICATION

General

Withstand Voltage: 800v AC/min
Insulation Resistance: 1000mΩ min
Temperature Range: -25° C to +85° C

Wafer

Material: Brass, Tin/Plated
Post: Nylon 66, UL94V-0
Base: Nylon 66, UL94V-0

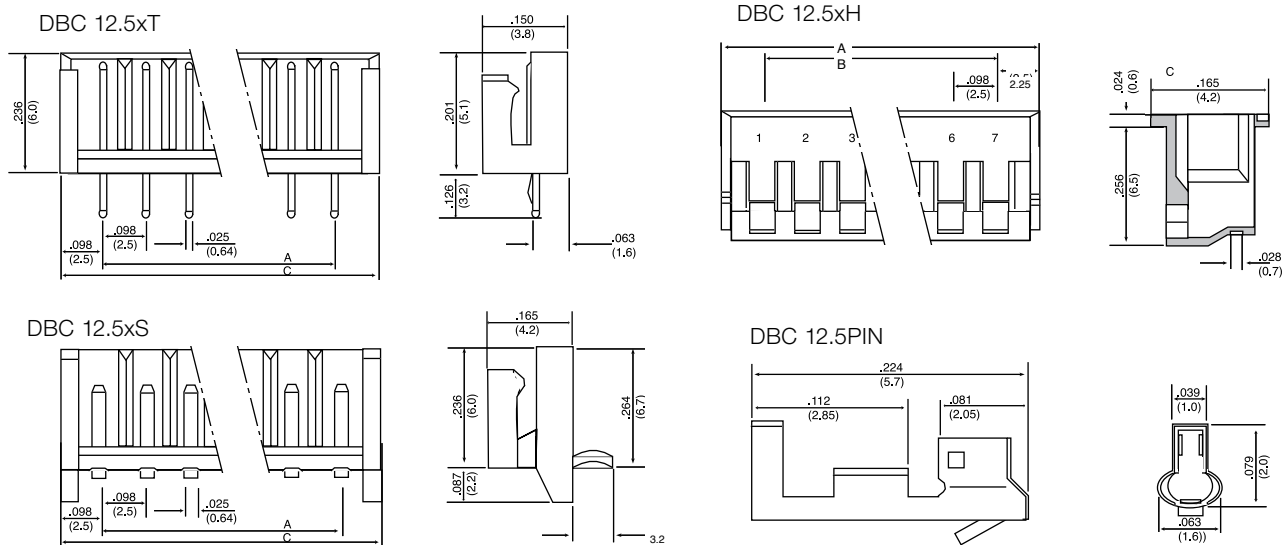
Housing

Material: Nylon 66, UL94V-0

Terminal

Wire Acceptance: 22-30 AWG
Material: Phos. Bronze
Finish: Tin/plated 40µ" min
Thickness: 0.2mm

OUTLINE DRAWING



Dim	mm
A	(No ways x 2.5) -2.5
B	(No ways x 2.5) +2
C	(No ways x 2.5) +2.5

ORDERING INFORMATION

DBC	1	2.5	2	T
Dubilier Connectors	Series	Pitch	N° of Ways	Style
		2.5 = 2.5mm pitch	2 = 2ways 10 = 10ways etc	T = Top Entry S = Side Entry 90° H = Housing

DBC	1	2.5	PIN
Dubilier Connectors	Series	Pitch	Pin
		2.5 = 2.5mm pitch	