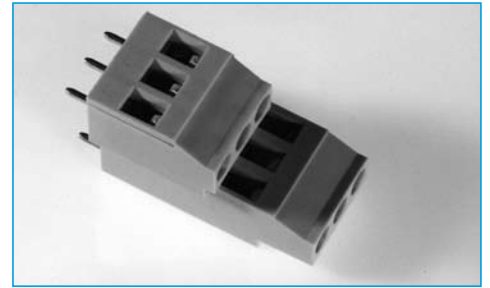


## TERMINAL BLOCKS

- Vertical double decker  
5mm pitch
- 4-6 Pole interlocking
- Professional Rising clamp
- Captive screws
- 4mm<sup>2</sup> wire acceptance
- UL/ VDE/ CE approved

## 5mm PITCH DOUBLE DECK - RISING CLAMP

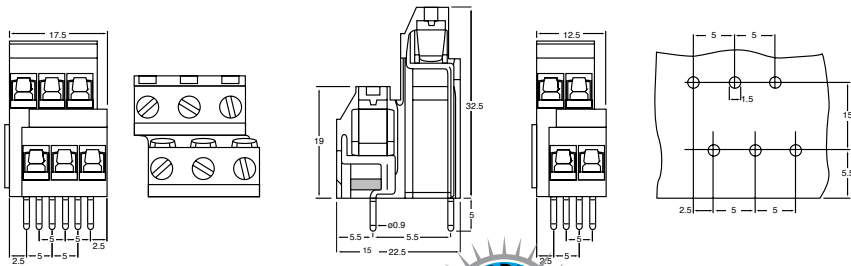


## SPECIFICATION

**Rating:** 24A/380V  
**Dielectric Strength:** >2.5KV  
**Insulation Resistance:** >5MΩ  
**Working temperature:** -20°C to 125°C  
**Short Period:** 160°  
**Moulding:** UL94V-0 flame retardant nylon 66

**Pin/terminal:** 5 micron tinned nickel plated brass  
**Rising clamp:** 5 micron Nickel brass  
**Screw/torque:** M2 steel/0.5Nm 7 micron zinc colour passivated and tropicalised  
**Recommended PCB hole size:** ø1.3mm

## OUTLINE DRAWING



## ORDERING INFORMATION

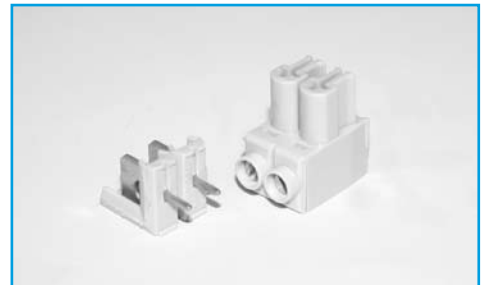
DBC	TB	6	/2
Dubilier Connectors	Series Terminal Block	Style	Nº of Ways
			2 = 2 ways 3 = 3 ways

## TERMINAL BLOCKS

- 5mm pitch
- Flame Retardant Material
- 4mm<sup>2</sup> wire acceptance
- UL/ CE approved
- 36way strip
- Professional rising clamp
- Easily cut to required number of poles



## 5mm PITCH PLUG IN VERTICAL OR 90°

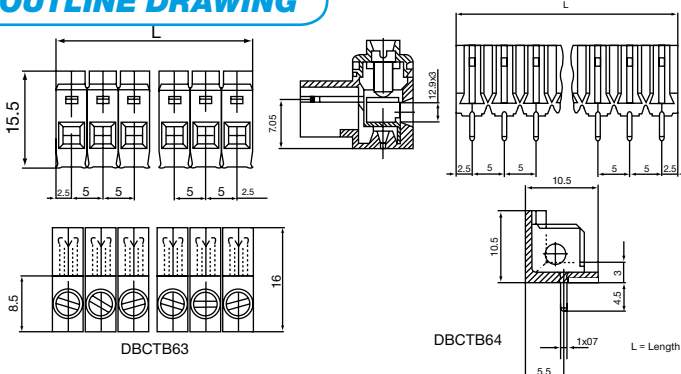


## SPECIFICATION

**Rating:** 13.5A/380V  
**Dielectric Strength:** ≥2.5KV/60sec  
**Insulation Resistance:** ≥5MΩ  
**Working temperature:** -20°C to 125°C  
**Short Period:** 160°  
**Moulding:** UL94V-0 flame retardant Lexan

**Pin/terminal:** 5µ tinned, nickel plated brass  
**Wire protector:** Zinc plated steel  
**Screw/torque:** M2.5 steel, 6µ zinc colour passivated and tropicalised/0.4Nm  
**Recommended PCB hole size:** ø1.3mm

## OUTLINE DRAWING



## ORDERING INFORMATION

DBC	TB	63	/2
Dubilier Connectors	Series Terminal Block	Style	Nº of Ways
		63=Style 63 64=Style 64	2 = 2 ways 3 = 3 ways

\* Other Number of ways are available up to 12  
Please consult office for further details