

KSH13007A



KSH13007A

Switch Mode series NPN silicon Power Transistor


- High voltage, high speed power switching
- Suitable for switching regulator, inverters motor controls

Absolute Maximum Ratings TC=25°C unless otherwise noted

8 Amperes
NPN Silicon Power Transistor
80 Watts

CHARACTERISTICS	SYMBOL	RATING	UNIT
Collector-Base Voltage	V_{CBO}	700	V
Collector-Emitter Voltage	V_{CEO}	400	V
Emitter-Base Voltage	V_{EBO}	9	V
Collector Current(DC)	I_C	8	A
Collector Current(Pulse)	I_{CP}	16	A
Base Current	I_B	4	A
Collector Dissipation(Tc=25°C)	P_C	80	W
Max Operating Junction Temperature	T_J	150	°C
Storage Temperature	T_{STG}	-65~150	°C

TO-220
1. Base
2. Collector
3. Emitter



Electrical Characteristics TC=25°C unless otherwise noted

CHARACTERISTICS	SYMBOL	Test Condition	Min	Typ.	Max	Unit
Collector-Emitter Breakdown Voltage	V_{CEO}	$I_C=10mA, I_B=0$	400			V
Emitter Cut-off Current	I_{EBO}	$V_{EB}=9V, I_C=0$			1	mA
*DC Current Gain	h_{FE1} h_{FE2}	$V_{CE}=5V, I_C=2A$ $V_{CE}=5V, I_C=5A$	8 5		60 30	
*Collector-Emitter Saturation Voltage	$V_{CE(sat)}$	$I_C=2A, I_B=0.4A$ $I_C=5A, I_B=1A$ $I_C=8A, I_B=2A$			1 2 3	V V V
*Base-Emitter Saturation Voltage	$V_{BE(sat)}$	$I_C=2A, I_B=0.4A$ $I_C=5A, I_B=1A$			1.2 1.6	V V
Output Capacitance	C_{ob}	$V_{CB}=10V, f=0.1MHz$		80		pF
Current Gain Bandwidth Product	f_T	$V_{CE}=10V, I_C=0.5A$	4			MHz
Turn on Time	t_{on}	$V_{CC}=125V, I_C=5A$ $I_{B1}=1A, I_{B2}=-1A$ $R_L=50\Omega$			1.6	μs
Storage Time	t_{stg}				3.0	μs
Fall Time	t_f				0.7	μs

* Pulse Test: Pulse Width \leq 300 μs , Duty Cycles \leq 2%

Note.

Package Mark information.

hFE1 Classification	R	15 ~ 28	S YWW Z KSH13007A	S	SemiHow Symbol
	O	26 ~ 39		YWW	Y; year code, WW; week code
	O1(26~33), O2(31~39)			Z	hFE1 Classification
	Y	37 ~ 50			

Typical Characteristics

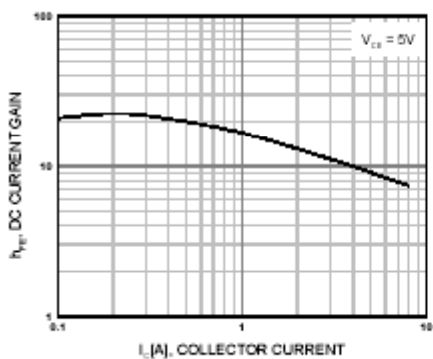


Figure 1. DC current Gain

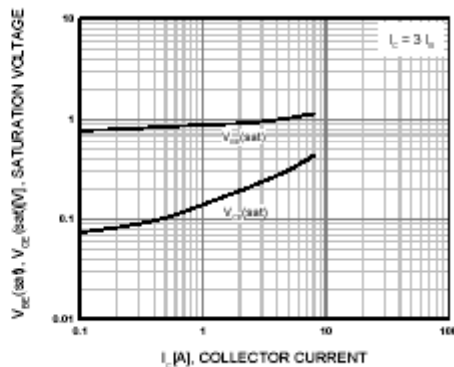


Figure 2. Base-Emitter Saturation Voltage
Collector-Emitter Saturation Voltage

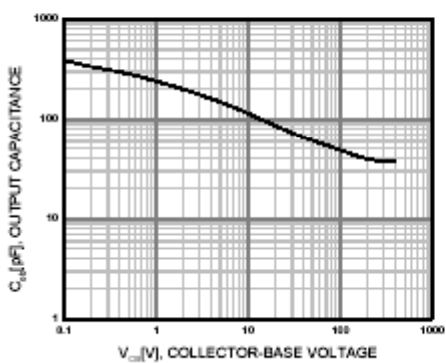


Figure 3. Collector Output Capacitance

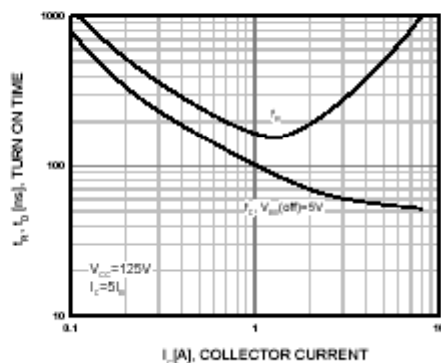


Figure 4. Turn On Time

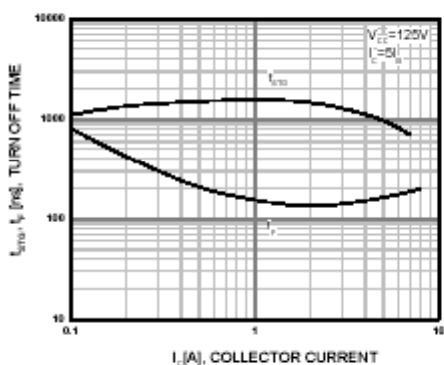


Figure 5. Turn Off Time

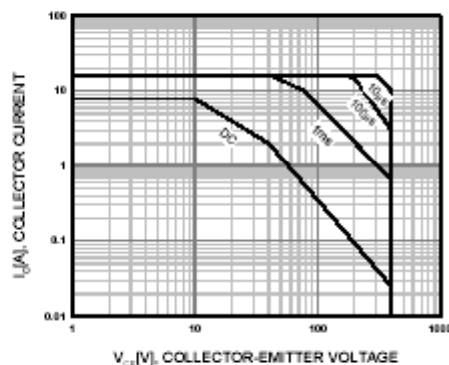


Figure 6. Forward Bias Safe Operating Area

Typical Characteristics (Continued)

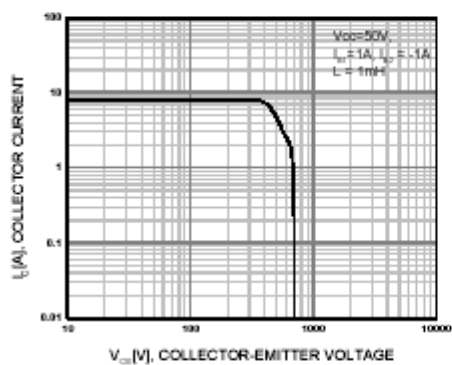


Figure 7. Reverse Bias Safe Operating Area

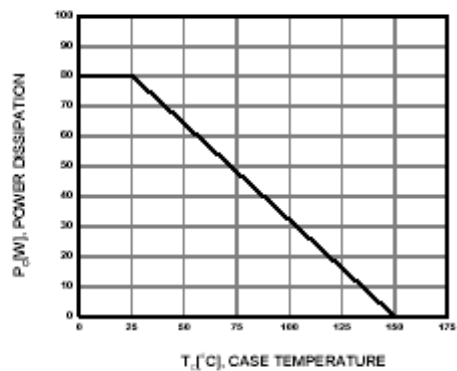
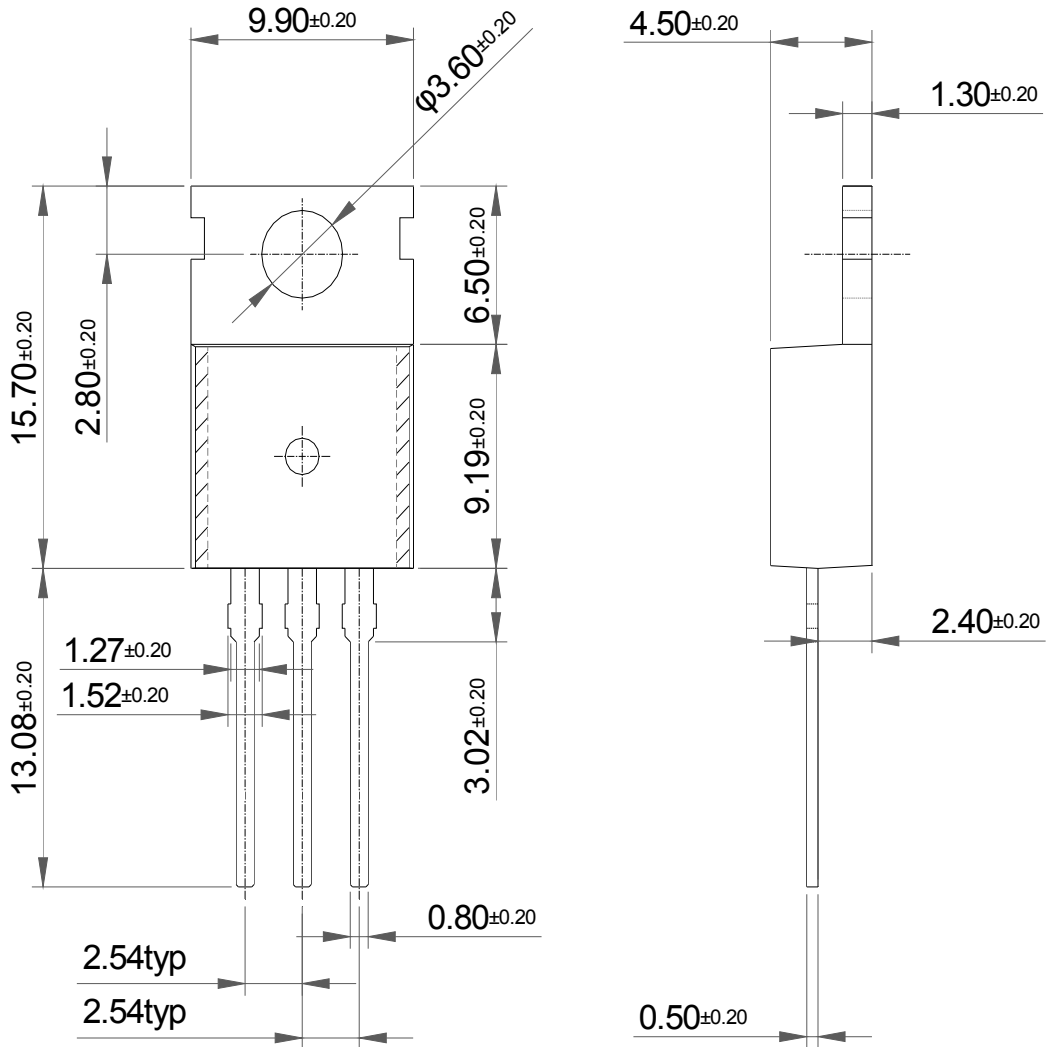


Figure 8. Power Derating

Package Dimension

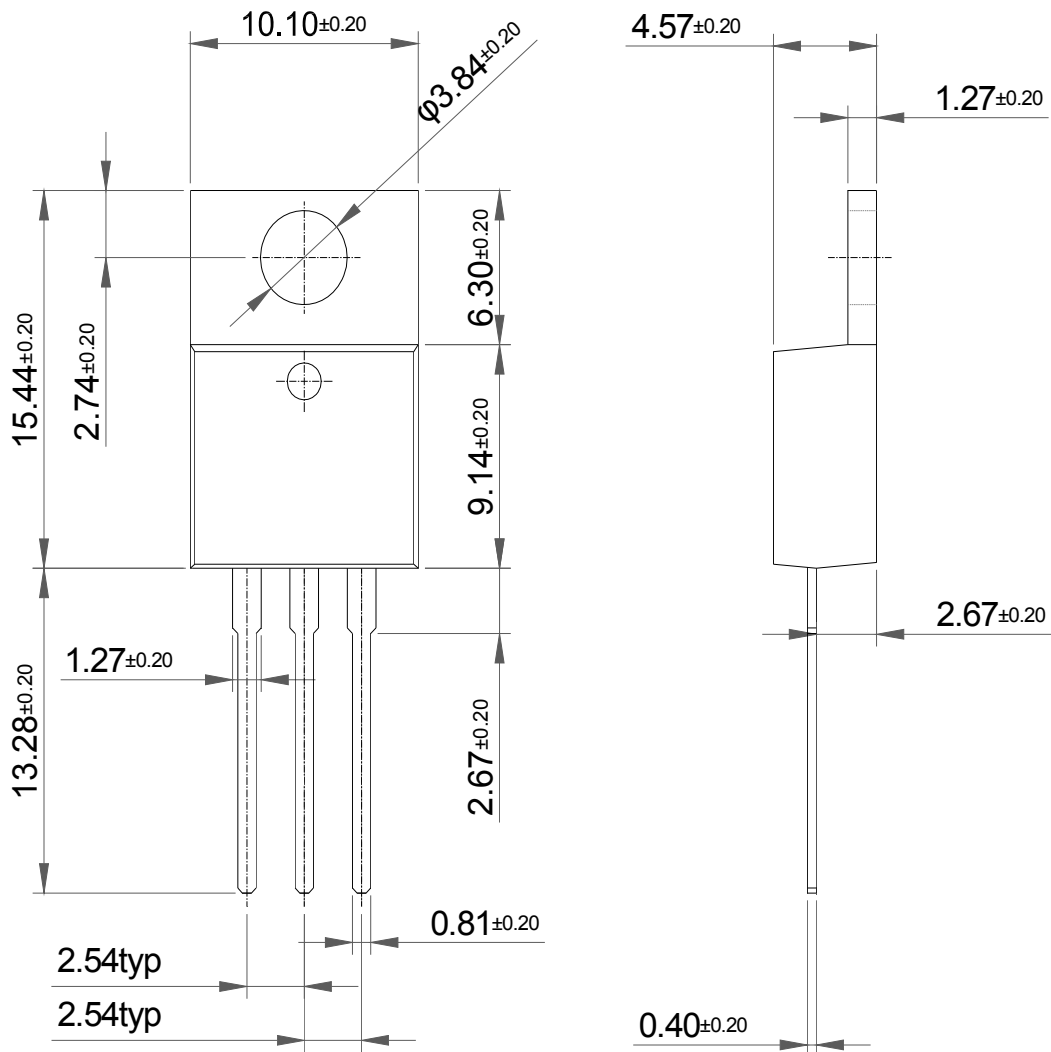
TO-220 (A)



Dimensions in Millimeters

Package Dimension

TO-220 (B)



Dimensions in Millimeters