

1A, 76V, High-Efficiency MAXPower Step-Down DC-DC Converter

General Description

The MAX5035 easy-to-use, high-efficiency, high-voltage, step-down DC-DC converter operates from an input voltage up to 76V and consumes only 270 μ A quiescent current at no load. This pulse-width modulated (PWM) converter operates at a fixed 125kHz switching frequency at heavy loads, and automatically switches to pulse-skipping mode to provide low quiescent current and high efficiency at light loads. The MAX5035 includes internal frequency compensation simplifying circuit implementation. The device uses an internal low-on-resistance, high-voltage, DMOS transistor to obtain high efficiency and reduce overall system cost. This device includes undervoltage lockout, cycle-by-cycle current limit, hiccup mode output short-circuit protection, and thermal shutdown.

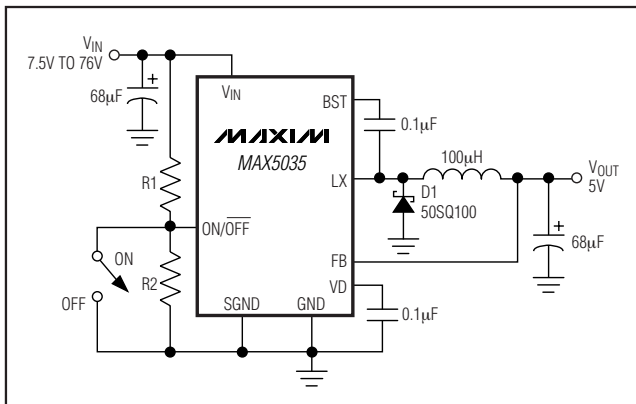
The MAX5035 delivers up to 1A output current. The output current may be limited by the maximum power dissipation capability of the package. External shutdown is included, featuring 10 μ A (typ) shutdown current. The MAX5035A/B/C versions have fixed output voltages of 3.3V, 5V, and 12V, respectively, while the MAX5035D features an adjustable output voltage from 1.25V to 13.2V.

The MAX5035 is available in space-saving 8-pin SO and 8-pin plastic DIP packages and operates over the automotive (-40°C to +125°C) temperature range.

Applications

Automotive
Consumer Electronics
Industrial
Distributed Power

Typical Operating Circuit



Features

- ◆ Wide 7.5V to 76V Input Voltage Range
- ◆ Fixed (3.3V, 5V, 12V) and Adjustable (1.25V to 13.2V) Versions
- ◆ 1A Output Current
- ◆ Efficiency Up to 94%
- ◆ Internal 0.4 Ω High-Side DMOS FET
- ◆ 270 μ A Quiescent Current at No Load, 10 μ A Shutdown Current
- ◆ Internal Frequency Compensation
- ◆ Fixed 125kHz Switching Frequency
- ◆ Thermal Shutdown and Short-Circuit Current Limit
- ◆ 8-Pin SO and PDIP Packages

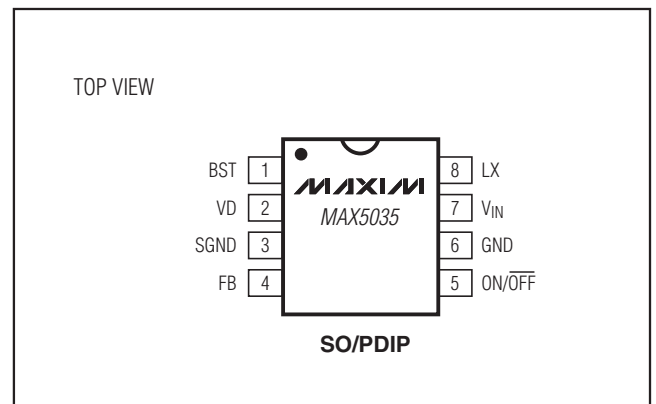
Ordering Information

| PART | TEMP RANGE | PIN-PACKAGE | OUTPUT VOLTAGE (V) |
|---------------|-----------------|-------------|--------------------|
| MAX5035AUSA | 0°C to +85°C | 8 SO | 3.3 |
| MAX5035AUPA | 0°C to +85°C | 8 PDIP | |
| MAX5035AASA | -40°C to +125°C | 8 SO | |
| MAX5035AASAV+ | -40°C to +125°C | 8 SO | |
| MAX5035BUS | 0°C to +85°C | 8 SO | 5.0 |
| MAX5035BUPA | 0°C to +85°C | 8 PDIP | |
| MAX5035BAS | -40°C to +125°C | 8 SO | |
| MAX5035BASAV+ | -40°C to +125°C | 8 SO | |

+Denotes lead (Pb)-free/RoHS-compliant package.

Ordering Information continued at end of data sheet.

Pin Configuration



1A, 76V, High-Efficiency MAXPower Step-Down DC-DC Converter

ABSOLUTE MAXIMUM RATINGS

(Voltages referenced to GND, unless otherwise specified.)

| | |
|-------------------------------|------------------------------|
| V_{IN} | -0.3V to +80V |
| SGND | -0.3V to +0.3V |
| LX | -0.8V to ($V_{IN} + 0.3V$) |
| BST | -0.3V to ($V_{IN} + 10V$) |
| BST (transient < 100ns) | -0.3V to ($V_{IN} + 15V$) |
| BST to LX | -0.3V to +10V |
| BST to LX (transient < 100ns) | -0.3V to +15V |
| ON/OFF | -0.3V to ($V_{IN} + 0.3V$) |
| VD | -0.3V to +12V |
| FB | |
| MAX5035A/MAX5035B/MAX5035C | -0.3V to +15V |
| MAX5035D | -0.3V to +12V |

| | |
|---|-----------------------------------|
| V_{OUT} Short-Circuit Duration ($V_{IN} \leq 40V$) | Indefinite |
| VD Short-Circuit Duration | Indefinite |
| Continuous Power Dissipation ($T_A = +70^\circ C$) | |
| 8-Pin PDIP (derate 9.1mW/ $^\circ C$ above +70 $^\circ C$) | 727mW |
| 8-Pin SO (derate 5.9mW/ $^\circ C$ above +70 $^\circ C$) | 471mW |
| Operating Temperature Range | |
| MAX5035_U_ | 0 $^\circ C$ to +85 $^\circ C$ |
| MAX5035_A_ | -40 $^\circ C$ to +125 $^\circ C$ |
| Storage Temperature Range | -65 $^\circ C$ to +150 $^\circ C$ |
| Junction Temperature | +150 $^\circ C$ |
| Lead Temperature (soldering, 10s) | +300 $^\circ C$ |

Stresses beyond those listed under "Absolute Maximum Ratings" may cause permanent damage to the device. These are stress ratings only, and functional operation of the device at these or any other conditions beyond those indicated in the operational sections of the specifications is not implied. Exposure to absolute maximum rating conditions for extended periods may affect device reliability.

ELECTRICAL CHARACTERISTICS (MAX5035_U_)

($V_{IN} = +12V$, $V_{ON/OFF} = +12V$, $I_{OUT} = 0$, $T_A = 0^\circ C$ to +85 $^\circ C$, unless otherwise noted. Typical values are at $T_A = +25^\circ C$. See the Typical Application Circuit.)

| PARAMETER | SYMBOL | CONDITIONS | MIN | TYP | MAX | UNITS |
|---------------------------|--------------|--|-------|-------|-------|----------|
| Input Voltage Range | V_{IN} | MAX5035A | 7.5 | | 76.0 | V |
| | | MAX5035B | 7.5 | | 76.0 | |
| | | MAX5035C | 15 | | 76 | |
| | | MAX5035D | 7.5 | | 76.0 | |
| Undervoltage Lockout | UVLO | | 5.2 | | | V |
| Output Voltage | V_{OUT} | MAX5035A $V_{IN} = 7.5V$ to 76V, $I_{OUT} = 20mA$ to 1A | 3.185 | 3.3 | 3.415 | V |
| | | MAX5035B $V_{IN} = 7.5V$ to 76V, $I_{OUT} = 20mA$ to 1A | 4.85 | 5.0 | 5.15 | |
| | | MAX5035C $V_{IN} = 15V$ to 76V, $I_{OUT} = 20mA$ to 1A | 11.64 | 12 | 12.36 | |
| Feedback Voltage | V_{FB} | $V_{IN} = 7.5V$ to 76V, MAX5035D | 1.192 | 1.221 | 1.250 | V |
| Efficiency | η | $V_{IN} = 12V$, $I_{LOAD} = 0.5A$, MAX5035A | | 86 | | % |
| | | $V_{IN} = 12V$, $I_{LOAD} = 0.5A$, MAX5035B | | 90 | | |
| | | $V_{IN} = 24V$, $I_{LOAD} = 0.5A$, MAX5035C | | 94 | | |
| | | $V_{IN} = 12V$, $V_{OUT} = 5V$, $I_{LOAD} = 0.5A$, MAX5035D | | 90 | | |
| Quiescent Supply Current | I_Q | $V_{FB} = 3.5V$, $V_{IN} = 7.5V$ to 76V, MAX5035A | | 270 | 440 | μA |
| | | $V_{FB} = 5.5V$, $V_{IN} = 7.5V$ to 76V, MAX5035B | | 270 | 440 | |
| | | $V_{FB} = 13V$, $V_{IN} = 15V$ to 76V, MAX5035C | | 270 | 440 | |
| | | $V_{FB} = 1.3V$, MAX5035D | | 270 | 440 | |
| Shutdown Current | I_{SHDN} | $V_{ON/OFF} = 0V$, $V_{IN} = 7.5V$ to 76V | | 10 | 45 | μA |
| Peak Switch Current Limit | I_{LIM} | (Note 1) | 1.30 | 1.80 | 2.50 | A |
| Switch Leakage Current | I_{OL} | $V_{IN} = 76V$, $V_{ON/OFF} = 0V$, $V_{LX} = 0V$ | | 1 | | μA |
| Switch On-Resistance | $R_{DS(ON)}$ | $I_{SWITCH} = 1A$ | | 0.40 | 0.80 | Ω |

1A, 76V, High-Efficiency MAXPower Step-Down DC-DC Converter

MAX5035

ELECTRICAL CHARACTERISTICS (continued) (MAX5035_U__)

($V_{IN} = +12V$, $V_{ON/OFF} = +12V$, $I_{OUT} = 0$, $T_A = 0^{\circ}C$ to $+85^{\circ}C$, unless otherwise noted. Typical values are at $T_A = +25^{\circ}C$. See the *Typical Application Circuit*.)

| PARAMETER | SYMBOL | CONDITIONS | MIN | TYP | MAX | UNITS |
|---|------------------------------|--|------|-------|------|---------------|
| PFM Threshold | I_{PFM} | Minimum switch current in any cycle | 55 | 85 | 130 | mA |
| FB Input Bias Current | I_B | MAX5035D | -150 | +0.01 | +150 | nA |
| ON/OFF CONTROL INPUT | | | | | | |
| ON/OFF Input-Voltage Threshold | $V_{ON/OFF}$ | Rising trip point | 1.53 | 1.69 | 1.85 | V |
| ON/OFF Input-Voltage Hysteresis | V_{HYST} | | | 100 | | mV |
| ON/OFF Input Current | $I_{ON/OFF}$ | $V_{ON/OFF} = 0V$ to V_{IN} | | 10 | 150 | nA |
| OSCILLATOR | | | | | | |
| Oscillator Frequency | f_{OSC} | | 109 | 125 | 135 | kHz |
| Maximum Duty Cycle | D_{MAX} | MAX5035D | | 95 | | % |
| VOLTAGE REGULATOR | | | | | | |
| Regulator Output Voltage | V_D | $V_{IN} = 8.5V$ to $76V$, $I_L = 0$ | 6.9 | 7.8 | 8.8 | V |
| Dropout Voltage | | $7.5V \leq V_{IN} \leq 8.5V$, $I_L = 1mA$ | | 2.0 | | V |
| Load Regulation | $\Delta V_D / \Delta I_{VD}$ | 0 to 5mA | | 150 | | Ω |
| PACKAGE THERMAL CHARACTERISTICS | | | | | | |
| Thermal Resistance (Junction to Ambient) | θ_{JA} | SO package (JEDEC 51) | | 170 | | $^{\circ}C/W$ |
| | | DIP package (JEDEC 51) | | 110 | | |
| THERMAL SHUTDOWN | | | | | | |
| Thermal-Shutdown Junction Temperature | T_{SH} | | | +160 | | $^{\circ}C$ |
| Thermal-Shutdown Hysteresis | T_{HYST} | | | 20 | | $^{\circ}C$ |

ELECTRICAL CHARACTERISTICS (MAX5035_A__)

($V_{IN} = +12V$, $V_{ON/OFF} = +12V$, $I_{OUT} = 0$, $T_A = T_J = -40^{\circ}C$ to $+125^{\circ}C$, unless otherwise noted. Typical values are at $T_A = +25^{\circ}C$. See the *Typical Application Circuit*.) (Note 2)

| PARAMETER | SYMBOL | CONDITIONS | MIN | TYP | MAX | UNITS | |
|----------------------|-----------|-------------------------------------|--|-------|-------|-------|---|
| Input Voltage Range | V_{IN} | MAX5035A | 7.5 | | 76.0 | V | |
| | | MAX5035B | 7.5 | | 76.0 | | |
| | | MAX5035C | 15 | | 76 | | |
| | | MAX5035D | 7.5 | | 76.0 | | |
| Undervoltage Lockout | UVLO | | | 5.2 | | V | |
| Output Voltage | V_{OUT} | MAX5035A | $V_{IN} = 7.5V$ to $76V$, $I_{OUT} = 20mA$ to $1A$ | 3.185 | 3.3 | 3.415 | V |
| | | MAX5035B | $V_{IN} = 7.5V$ to $76V$, $I_{OUT} = 20mA$ to $1A$ | 4.825 | 5.0 | 5.175 | |
| | | MAX5035C | $V_{IN} = 15V$ to $76V$, $I_{OUT} = 20mA$ to $1A$ | 11.58 | 12 | 12.42 | |
| Feedback Voltage | V_{FB} | $V_{IN} = 7.5V$ to $76V$, MAX5035D | 1.192 | 1.221 | 1.250 | V | |

1A, 76V, High-Efficiency MAXPower Step-Down DC-DC Converter

ELECTRICAL CHARACTERISTICS (MAX5035_A_)

($V_{IN} = +12V$, $V_{ON/OFF} = +12V$, $I_{OUT} = 0$, $T_A = T_J = -40^{\circ}C$ to $+125^{\circ}C$, unless otherwise noted. Typical values are at $T_A = +25^{\circ}C$. See the *Typical Application Circuit.*) (Note 2)

| PARAMETER | SYMBOL | CONDITIONS | MIN | TYP | MAX | UNITS |
|--|---------------------------|--|------|-------|------|---------------|
| Efficiency | η | $V_{IN} = 12V$, $I_{LOAD} = 0.5A$, MAX5035A | | 86 | | % |
| | | $V_{IN} = 12V$, $I_{LOAD} = 0.5A$, MAX5035B | | 90 | | |
| | | $V_{IN} = 24V$, $I_{LOAD} = 0.5A$, MAX5035C | | 94 | | |
| | | $V_{IN} = 12V$, $V_{OUT} = 5V$, $I_{LOAD} = 0.5A$, MAX5035D | | 90 | | |
| Quiescent Supply Current | I_Q | $V_{FB} = 3.5V$, $V_{IN} = 7.5V$ to $76V$, MAX5035A | | 270 | 440 | μA |
| | | $V_{FB} = 5.5V$, $V_{IN} = 7.5V$ to $76V$, MAX5035B | | 270 | 440 | |
| | | $V_{FB} = 13V$, $V_{IN} = 15V$ to $76V$, MAX5035C | | 270 | 440 | |
| | | $V_{FB} = 1.3V$, MAX5035D | | 270 | 440 | |
| Shutdown Current | I_{SHDN} | $V_{ON/OFF} = 0V$, $V_{IN} = 7.5V$ to $76V$ | | 10 | 45 | μA |
| Peak Switch Current Limit | I_{LIM} | (Note 1) | 1.30 | 1.80 | 2.50 | A |
| Switch Leakage Current | I_{OL} | $V_{IN} = 76V$, $V_{ON/OFF} = 0V$, $V_{LX} = 0V$ | | 1 | | μA |
| Switch On-Resistance | $R_{DS(ON)}$ | $I_{SWITCH} = 1A$ | | 0.40 | 0.80 | Ω |
| PFM Threshold | I_{PFM} | Minimum switch current in any cycle | 55 | 85 | 130 | mA |
| FB Input Bias Current | I_B | MAX5035D | -150 | +0.01 | +150 | nA |
| ON/OFF CONTROL INPUT | | | | | | |
| ON/OFF Input-Voltage Threshold | $V_{ON/OFF}$ | Rising trip point | 1.50 | 1.69 | 1.85 | V |
| ON/OFF Input-Voltage Hysteresis | V_{HYST} | | | 100 | | mV |
| ON/OFF Input Current | $I_{ON/OFF}$ | $V_{ON/OFF} = 0V$ to V_{IN} | | 10 | 150 | nA |
| OSCILLATOR | | | | | | |
| Oscillator Frequency | f_{OSC} | | 105 | 125 | 137 | kHz |
| Maximum Duty Cycle | D_{MAX} | MAX5035D | | 95 | | % |
| VOLTAGE REGULATOR | | | | | | |
| Regulator Output Voltage | V_D | $V_{IN} = 8.5V$ to $76V$, $I_L = 0$ | 6.5 | 7.8 | 9.0 | V |
| Dropout Voltage | | $7.5V \leq V_{IN} \leq 8.5V$, $I_L = 1mA$ | | 2.0 | | V |
| Load Regulation | $\Delta V_D / \Delta I_D$ | 0 to 5mA | | 150 | | Ω |
| PACKAGE THERMAL CHARACTERISTICS | | | | | | |
| Thermal Resistance (Junction to Ambient) | θ_{JA} | SO package (JEDEC 51) | | 170 | | $^{\circ}C/W$ |
| | | DIP package (JEDEC 51) | | 110 | | |
| THERMAL SHUTDOWN | | | | | | |
| Thermal-Shutdown Junction Temperature | T_{SH} | | | +160 | | $^{\circ}C$ |
| Thermal-Shutdown Hysteresis | T_{HYST} | | | 20 | | $^{\circ}C$ |

Note 1: Switch current at which current limit is activated.

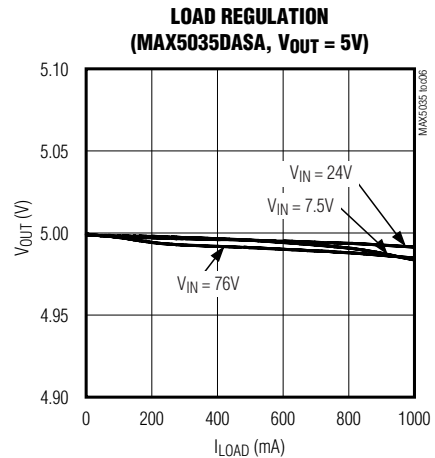
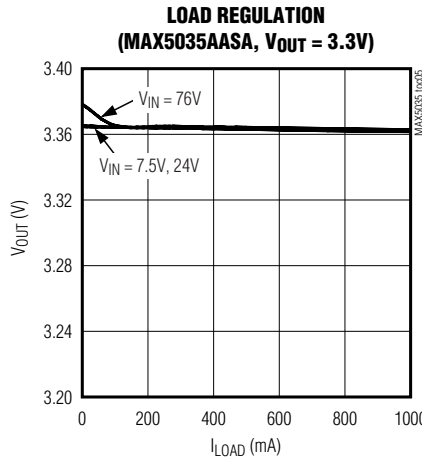
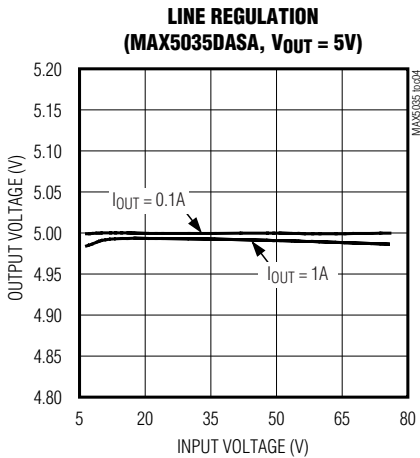
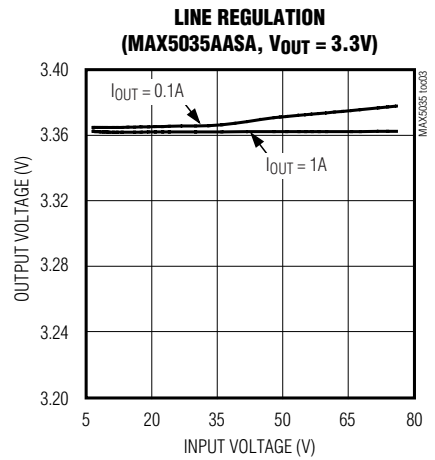
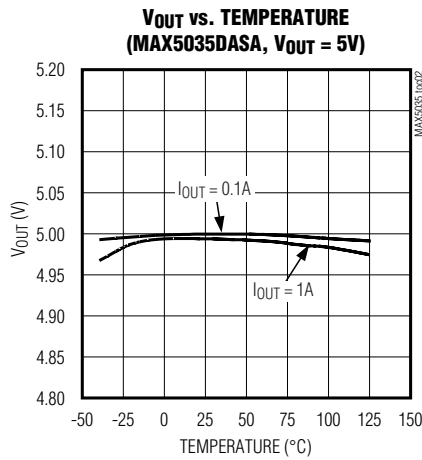
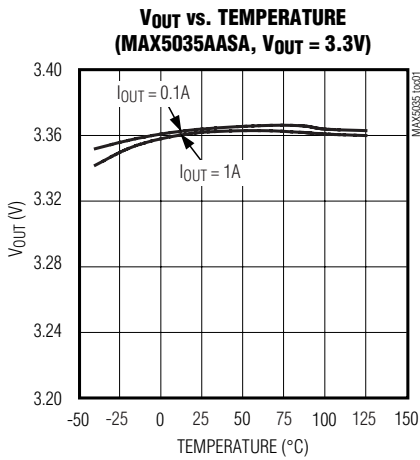
Note 2: All limits at $-40^{\circ}C$ are guaranteed by design, not production tested.

1A, 76V, High-Efficiency MAXPower Step-Down DC-DC Converter

MAX5035

Typical Operating Characteristics

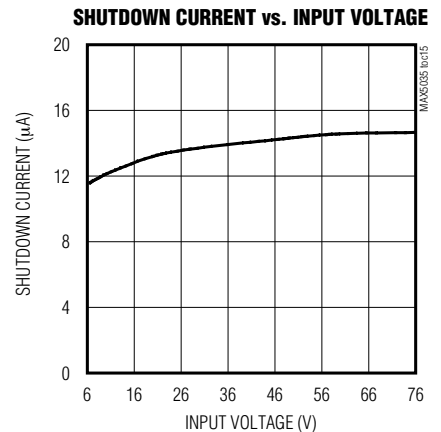
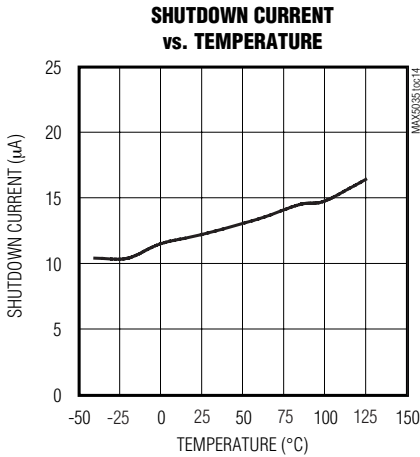
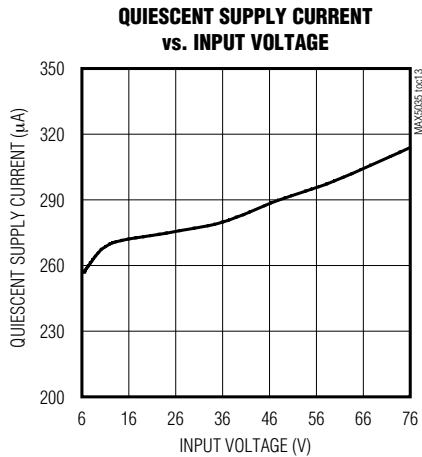
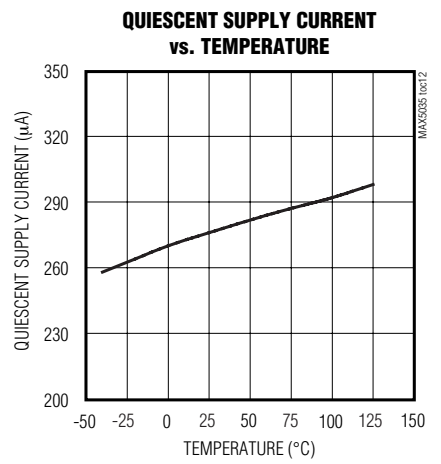
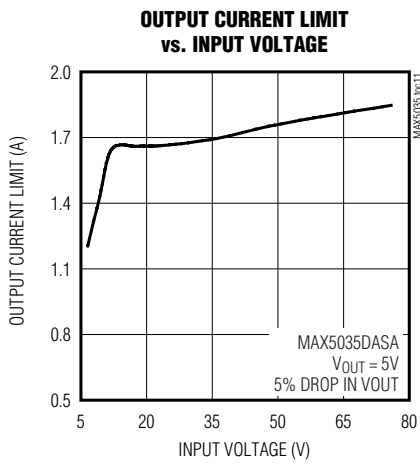
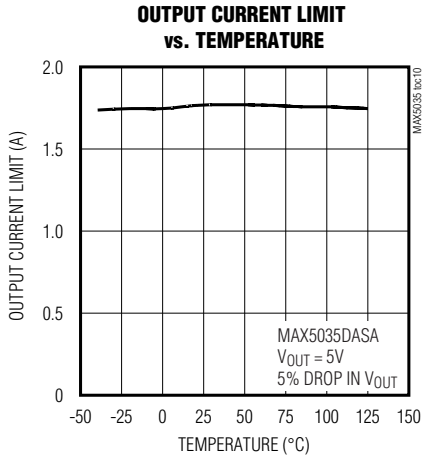
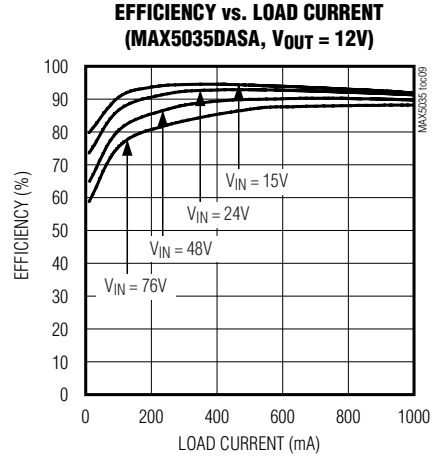
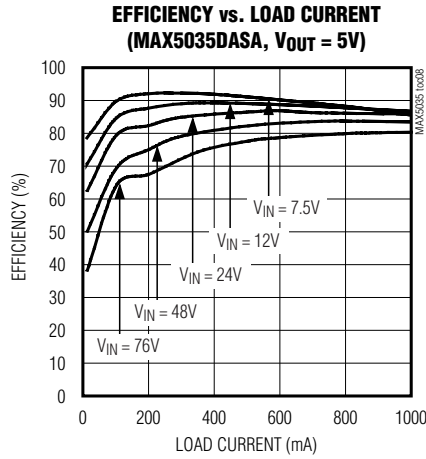
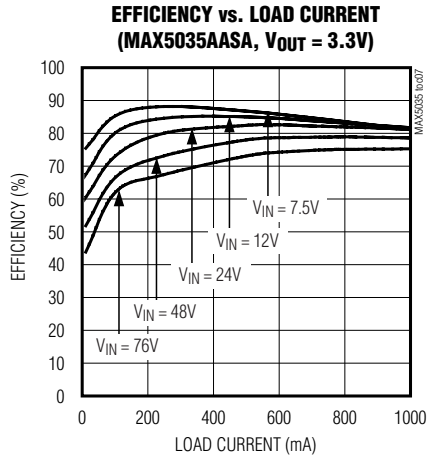
($V_{IN} = 12V$, $V_{ON/OFF} = 12V$, $T_A = -40^{\circ}C$ to $+125^{\circ}C$, unless otherwise noted. Typical values are at $T_A = +25^{\circ}C$. See the *Typical Application Circuit*, if applicable.)



1A, 76V, High-Efficiency MAXPower Step-Down DC-DC Converter

Typical Operating Characteristics (continued)

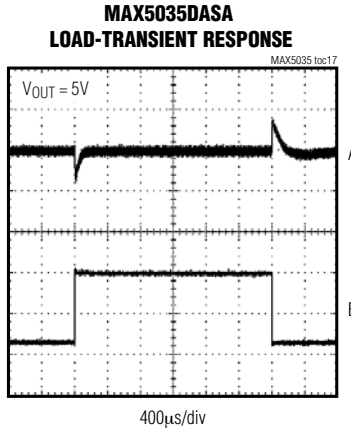
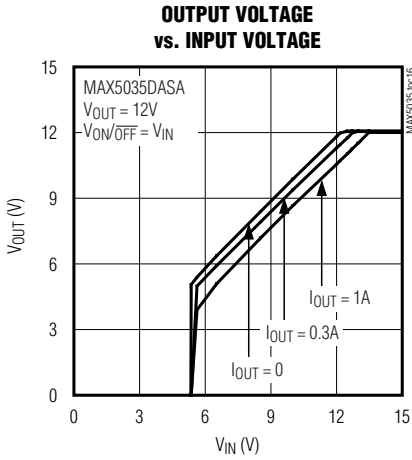
($V_{IN} = 12V$, $V_{ON/OFF} = 12V$, $T_A = -40^{\circ}C$ to $+125^{\circ}C$, unless otherwise noted. Typical values are at $T_A = +25^{\circ}C$. See the *Typical Application Circuit*, if applicable.)



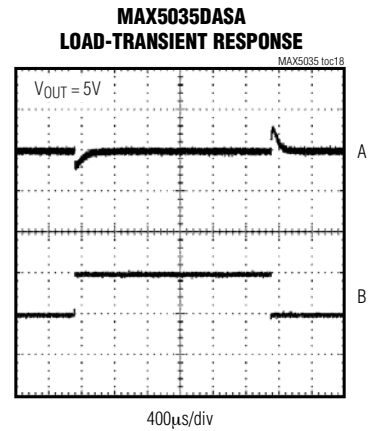
1A, 76V, High-Efficiency MAXPower Step-Down DC-DC Converter

Typical Operating Characteristics (continued)

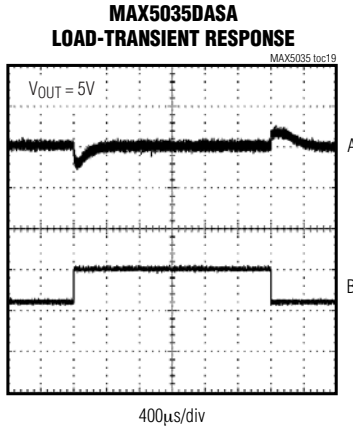
($V_{IN} = 12V$, $V_{ON/OFF} = 12V$, $T_A = -40^{\circ}C$ to $+125^{\circ}C$, unless otherwise noted. Typical values are at $T_A = +25^{\circ}C$. See the *Typical Application Circuit*, if applicable.)



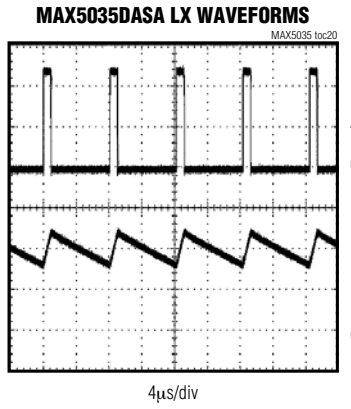
A: V_{OUT} , 200mV/div, AC-COUPLED
B: I_{OUT} , 500mA/div, 0.1A TO 1A



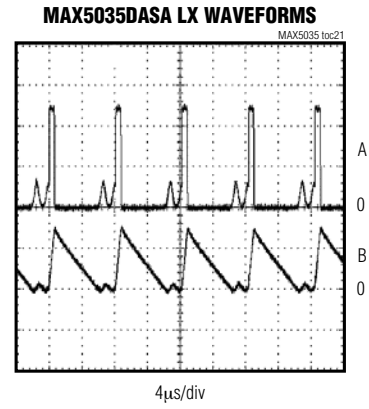
A: V_{OUT} , 200mV/div, AC-COUPLED
B: I_{OUT} , 500mA/div, 0.5A TO 1A



A: V_{OUT} , 200mV/div, AC-COUPLED
B: I_{OUT} , 500mA/div, 0.1A TO 0.5A



A: SWITCH VOLTAGE (LX PIN), 20V/div ($V_{IN} = 48V$)
B: INDUCTOR CURRENT, 500mA/div ($I_{OUT} = 1A$)



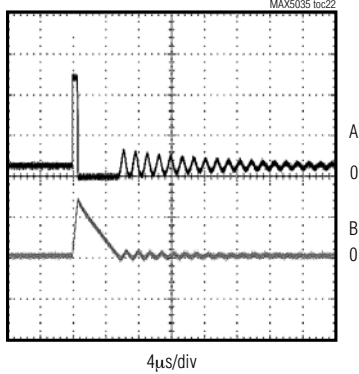
A: SWITCH VOLTAGE (LX PIN), 20V/div ($V_{IN} = 48V$)
B: INDUCTOR CURRENT, 200mA/div ($I_{OUT} = 100mA$)

1A, 76V, High-Efficiency MAXPower Step-Down DC-DC Converter

Typical Operating Characteristics (continued)

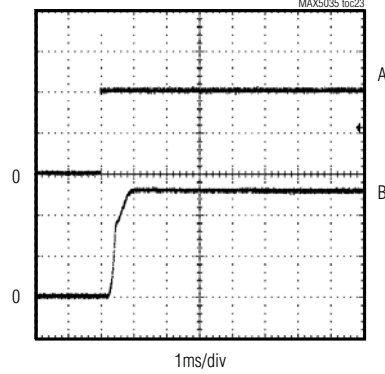
($V_{IN} = 12V$, $V_{ON/OFF} = 12V$, $T_A = -40^{\circ}C$ to $+125^{\circ}C$, unless otherwise noted. Typical values are at $T_A = +25^{\circ}C$. See the *Typical Application Circuit*, if applicable.)

MAX5035DASA LX WAVEFORMS



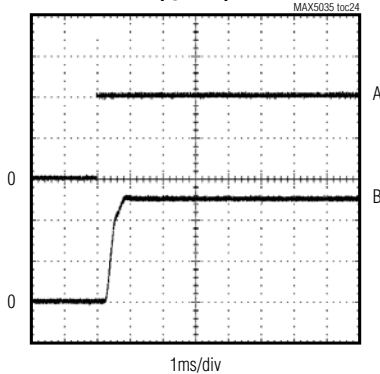
A: SWITCH VOLTAGE (LX PIN), 20V/div ($V_{IN} = 48V$)
B: INDUCTOR CURRENT, 200mA/div ($I_{OUT} = 0$)

MAX5035DASA STARTUP WAVEFORM
($I_O = 0$)



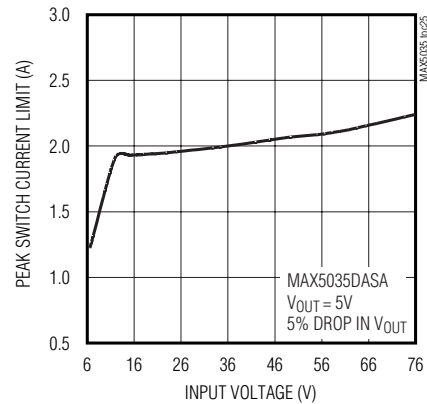
A: $V_{ON/OFF}$, 2V/div
B: V_{OUT} , 2V/div

MAX5035DASA STARTUP WAVEFORM
($I_O = 1A$)



A: $V_{ON/OFF}$, 2V/div
B: V_{OUT} , 2V/div

PEAK SWITCH CURRENT LIMIT
vs. INPUT VOLTAGE



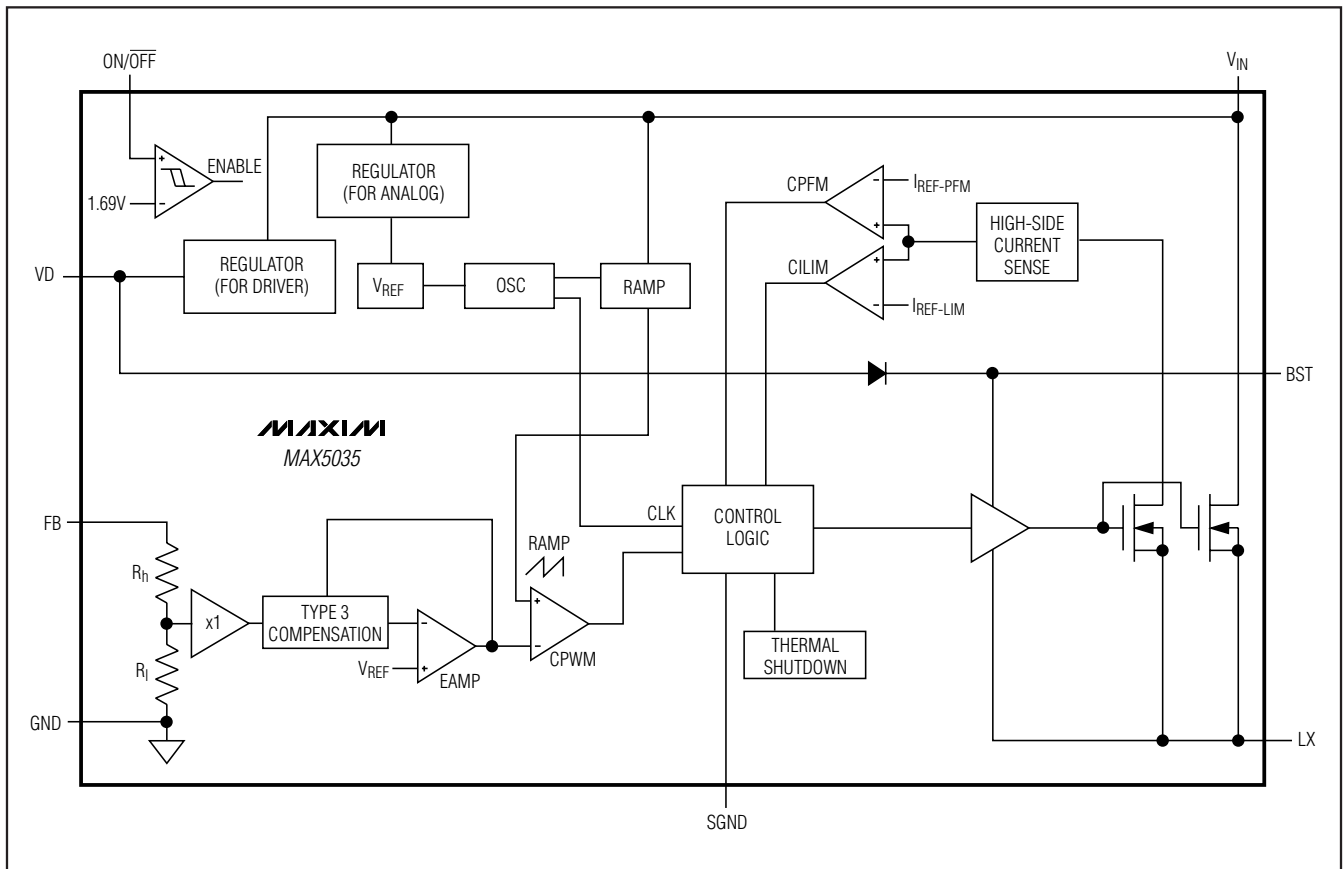
1A, 76V, High-Efficiency MAXPower Step-Down DC-DC Converter

MAX5035

Pin Description

| PIN | NAME | FUNCTION |
|-----|-----------------|--|
| 1 | BST | Boost Capacitor Connection. Connect a 0.1 μ F ceramic capacitor from BST to LX. |
| 2 | VD | Internal Regulator Output. Bypass VD to GND with a 0.1 μ F ceramic capacitor. |
| 3 | SGND | Internal Connection. SGND must be connected to GND. |
| 4 | FB | Output Sense Feedback Connection. For fixed output voltage (MAX5035A, MAX5035B, MAX5035C), connect FB to V _{OUT} . For adjustable output voltage (MAX5035D), use an external resistive voltage-divider to set V _{OUT} . V _{FB} regulating set point is 1.22V. |
| 5 | ON/OFF | Shutdown Control Input. Pull ON/OFF low to put the device in shutdown mode. Drive ON/OFF high for normal operation. |
| 6 | GND | Ground |
| 7 | V _{IN} | Input Voltage. Bypass V _{IN} to GND with a low ESR capacitor as close to the device as possible. |
| 8 | LX | Source Connection of Internal High-Side Switch |

Block Diagram



1A, 76V, High-Efficiency MAXPower Step-Down DC-DC Converter

Detailed Description

The MAX5035 step-down DC-DC converter operates from a 7.5V to 76V input voltage range. A unique voltage-mode control scheme with voltage feed-forward and an internal switching DMOS FET provides high efficiency over a wide input voltage range. This pulse-width modulated converter operates at a fixed 125kHz switching frequency. The device also features automatic pulse-skipping mode to provide low quiescent current and high efficiency at light loads. Under no load, the MAX5035 consumes only 270 μ A, and in shutdown mode, consumes only 10 μ A. The MAX5035 also features undervoltage lockout, hiccup mode output short-circuit protection, and thermal shutdown.

Shutdown Mode

Drive ON/ $\overline{\text{OFF}}$ to ground to shut down the MAX5035. Shutdown forces the internal power MOSFET off, turns off all internal circuitry, and reduces the V_{IN} supply current to 10 μ A (typ). The ON/ $\overline{\text{OFF}}$ rising threshold is 1.69V (typ). Before any operation begins, the voltage at ON/ $\overline{\text{OFF}}$ must exceed 1.69V (typ). The ON/ $\overline{\text{OFF}}$ input has 100mV hysteresis.

Undervoltage Lockout (UVLO)

Use the ON/ $\overline{\text{OFF}}$ function to program the UVLO threshold at the input. Connect a resistive voltage-divider from V_{IN} to GND with the center node to ON/ $\overline{\text{OFF}}$ as shown in Figure 1. Calculate the threshold value by using the following formula:

$$V_{\text{UVLO(TH)}} = \left(1 + \frac{R1}{R2}\right) \times 1.85\text{V}$$

The minimum recommended $V_{\text{UVLO(TH)}}$ is 6.5V, 7.5V, and 13V for the output voltages of 3.3V, 5V, and 12V, respectively. The recommended value for R2 is less than 1M Ω .

If the external UVLO threshold-setting divider is not used, an internal undervoltage-lockout feature monitors the supply voltage at V_{IN} and allows operation to start when V_{IN} rises above 5.2V (typ). This feature can be used only when V_{IN} rise time is faster than 2ms. For slower V_{IN} rise time, use the resistive-divider at ON/ $\overline{\text{OFF}}$.

Boost High-Side Gate Drive (BST)

Connect a flying bootstrap capacitor between LX and BST to provide the gate-drive voltage to the high-side N-channel DMOS switch. The capacitor is alternately charged from the internally regulated output voltage VD and placed across the high-side DMOS driver. Use a

0.1 μ F, 16V ceramic capacitor located as close to the device as possible.

On startup, an internal low-side switch connects LX to ground and charges the BST capacitor to VD. Once the BST capacitor is charged, the internal low-side switch is turned off and the BST capacitor voltage provides the necessary enhancement voltage to turn on the high-side switch.

Thermal-Overload Protection

The MAX5035 features integrated thermal overload protection. Thermal overload protection limits total power dissipation in the device, and protects the device in the event of a fault condition. When the die temperature exceeds +160 $^{\circ}$ C, an internal thermal sensor signals the shutdown logic, turning off the internal power MOSFET and allowing the IC to cool. The thermal sensor turns the internal power MOSFET back on after the IC's die temperature cools down to +140 $^{\circ}$ C, resulting in a pulsed output under continuous thermal overload conditions.

Applications Information

Setting the Output Voltage

The MAX5035A/B/C have preset output voltages of 3.3V, 5.0V, and 12V, respectively. Connect FB to the preset output voltage (see the *Typical Operating Circuit*).

The MAX5035D offers an adjustable output voltage. Set the output voltage with a resistive voltage-divider connected from the circuit's output to ground (Figure 1). Connect the center node of the divider to FB. Choose R4 less than 15k Ω , then calculate R3 as follows:

$$R3 = \frac{(V_{\text{OUT}} - 1.22)}{1.22} \times R4$$

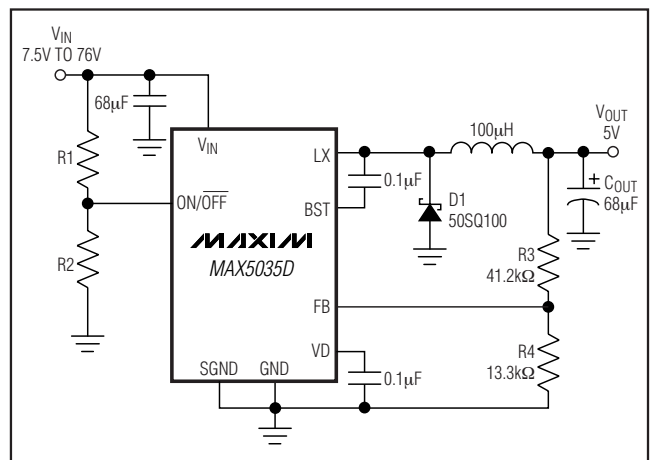


Figure 1. Adjustable Output Voltage

1A, 76V, High-Efficiency MAXPower Step-Down DC-DC Converter

The MAX5035 features internal compensation for optimum closed-loop bandwidth and phase margin. With the preset compensation, it is strongly advised to sense the output immediately after the primary LC.

Inductor Selection

The choice of an inductor is guided by the voltage difference between V_{IN} and V_{OUT} , the required output current, and the operating frequency of the circuit. Use an inductor with a minimum value given by:

$$L = \frac{(V_{IN} - V_{OUT}) \times D}{0.3 \times I_{OUTMAX} \times f_{SW}}$$

where:

$$D = \frac{V_{OUT}}{V_{IN}}$$

I_{OUTMAX} is the maximum output current required, and f_{SW} is the operating frequency of 125kHz. Use an inductor with a maximum saturation current rating equal to at least the peak switch current limit (I_{LIM}). Use inductors with low DC resistance for higher efficiency.

Selecting a Rectifier

The MAX5035 requires an external Schottky rectifier as a freewheeling diode. Connect this rectifier close to the device using short leads and short PC board traces. Choose a rectifier with a continuous current rating greater than the highest expected output current. Use a rectifier with a voltage rating greater than the maximum expected input voltage, V_{IN} . Use a low forward-voltage Schottky rectifier for proper operation and high efficiency. Avoid higher than necessary reverse-voltage Schottky rectifiers that have higher forward-voltage drops. Use a Schottky rectifier with forward-voltage

Table 1. Diode Selection

| V_{IN} (V) | DIODE PART NUMBER | MANUFACTURER |
|--------------|-------------------|-----------------------|
| 7.5 to 36 | 15MQ040N | IR |
| | B240A | Diodes, Inc. |
| | B240 | Central Semiconductor |
| | MBRS240, MBRS1540 | ON Semiconductor |
| 7.5 to 56 | 30BQ060 | IR |
| | B360A | Diodes, Inc. |
| | CMSH3-60 | Central Semiconductor |
| | MBRD360, MBR3060 | ON Semiconductor |
| 7.5 to 76 | 50SQ100, 50SQ80 | IR |
| | MBRM5100 | Diodes, Inc. |

drop (V_{FB}) less than 0.45V at +25°C and maximum load current to avoid forward biasing of the internal body diode (LX to ground). Internal body diode conduction may cause excessive junction temperature rise and thermal shutdown. Use Table 1 to choose the proper rectifier at different input voltages and output current.

Input Bypass Capacitor

The discontinuous input-current waveform of the buck converter causes large ripple currents in the input capacitor. The switching frequency, peak inductor current, and the allowable peak-to-peak voltage ripple that reflects back to the source dictate the capacitance requirement. The MAX5035 high switching frequency allows the use of smaller-value input capacitors.

The input ripple is comprised of ΔV_Q (caused by the capacitor discharge) and ΔV_{ESR} (caused by the ESR of the capacitor). Use low-ESR aluminum electrolytic capacitors with high ripple-current capability at the input. Assuming that the contribution from the ESR and capacitor discharge is equal to 90% and 10%, respectively, calculate the input capacitance and the ESR required for a specified ripple using the following equations:

$$ESR_{IN} = \frac{\Delta V_{ESR}}{\left(I_{OUT} + \frac{\Delta I_L}{2} \right)}$$

$$C_{IN} = \frac{I_{OUT} \times D (1-D)}{\Delta V_Q \times f_{SW}}$$

where

$$\Delta I_L = \frac{(V_{IN} - V_{OUT}) \times V_{OUT}}{V_{IN} \times f_{SW} \times L}$$

$$D = \frac{V_{OUT}}{V_{IN}}$$

I_{OUT} is the maximum output current of the converter and f_{SW} is the oscillator switching frequency (125kHz). For example, at $V_{IN} = 48V$, $V_{OUT} = 3.3V$, the ESR and input capacitance are calculated for the input peak-to-peak ripple of 100mV or less yielding an ESR and capacitance value of 80mΩ and 51μF, respectively.

Low-ESR, ceramic, multilayer chip capacitors are recommended for size-optimized application. For ceramic capacitors, assume the contribution from ESR and capacitor discharge is equal to 10% and 90%, respectively.

The input capacitor must handle the RMS ripple current without significant rise in temperature. The maximum capacitor RMS current occurs at about 50% duty cycle.

1A, 76V, High-Efficiency MAXPower Step-Down DC-DC Converter

Ensure that the ripple specification of the input capacitor exceeds the worst-case capacitor RMS ripple current. Use the following equations to calculate the input capacitor RMS current:

$$I_{CRMS} = \sqrt{I_{PRMS}^2 - I_{AVGIN}^2}$$

where

$$I_{PRMS} = \sqrt{\left(I_{PK}^2 + I_{DC}^2 + (I_{PK} \times I_{DC})\right) \times \frac{D}{3}}$$

$$I_{AVGIN} = \frac{V_{OUT} \times I_{OUT}}{V_{IN} \times \eta}$$

$$I_{PK} = I_{OUT} + \frac{\Delta I_L}{2}, \quad I_{DC} = I_{OUT} - \frac{\Delta I_L}{2}$$

$$\text{and } D = \frac{V_{OUT}}{V_{IN}}$$

I_{PRMS} is the input switch RMS current, I_{AVGIN} is the input average current, and η is the converter efficiency.

The ESR of aluminum electrolytic capacitors increases significantly at cold temperatures. Use a 1 μ F or greater value ceramic capacitor in parallel with the aluminum electrolytic input capacitor, especially for input voltages below 8V.

Output Filter Capacitor

The worst-case peak-to-peak and RMS capacitor ripple current, allowable peak-to-peak output ripple voltage, and the maximum deviation of the output voltage during load steps determine the capacitance and the ESR requirements for the output capacitors.

The output capacitance and its ESR form a zero, which improves the closed-loop stability of the buck regulator. Choose the output capacitor so the ESR zero frequency (f_z) occurs between 20kHz to 40kHz. Use the following equation to verify the value of f_z . Capacitors with 100m Ω to 250m Ω ESR are recommended to ensure the closed-loop stability, while keeping the output ripple low.

$$f_z = \frac{1}{2 \times \pi \times C_{OUT} \times ESR_{OUT}}$$

The output ripple is comprised of ΔV_{OQ} (caused by the capacitor discharge) and ΔV_{OESR} (caused by the ESR of the capacitor). Use low-ESR tantalum or aluminum electrolytic capacitors at the output. Assuming that the contributions from the ESR and capacitor discharge equal 80% and 20% respectively, calculate the output

capacitance and the ESR required for a specified ripple using the following equations:

$$ESR_{OUT} = \frac{\Delta V_{OESR}}{\Delta I_L}$$

$$C_{OUT} \approx \frac{\Delta I_L}{2.2 \times \Delta V_{OQ} \times f_{SW}}$$

The MAX5035 has an internal soft-start time (t_{SS}) of 400 μ s. It is important to keep the output rise time at startup below t_{SS} to avoid output overshoot. The output rise time is directly proportional to the output capacitor. Use 68 μ F or lower capacitance at the output to control the overshoot below 5%.

In a dynamic load application, the allowable deviation of the output voltage during the fast-transient load dictates the output capacitance value and the ESR. The output capacitors supply the step load current until the controller responds with a greater duty cycle. The response time ($t_{RESPONSE}$) depends on the closed-loop bandwidth of the converter. The resistive drop across the capacitor ESR and capacitor discharge cause a voltage droop during a step load. Use a combination of low-ESR tantalum and ceramic capacitors for better transient load and ripple/noise performance. Keep the maximum output-voltage deviation above the tolerable limits of the electronics being powered. Assuming a 50% contribution each from the output capacitance discharge and the ESR drop, use the following equations to calculate the required ESR and capacitance value:

$$ESR_{OUT} = \frac{\Delta V_{OESR}}{I_{STEP}}$$

$$C_{OUT} = \frac{I_{STEP} \times t_{RESPONSE}}{\Delta V_{OQ}}$$

where I_{STEP} is the load step and $t_{RESPONSE}$ is the response time of the controller. Controller response time is approximately one-third of the reciprocal of the closed-loop unity-gain bandwidth, 20kHz typically.

PC Board Layout Considerations

Proper PC board layout is essential. Minimize ground noise by connecting the anode of the Schottky rectifier, the input bypass capacitor ground lead, and the output filter capacitor ground lead to a single point ("star"

1A, 76V, High-Efficiency MAXPower Step-Down DC-DC Converter

ground configuration). A ground plane is required. Minimize lead lengths to reduce stray capacitance, trace resistance, and radiated noise. In particular, place the Schottky rectifier diode right next to the

device. Also, place BST and VD bypass capacitors very close to the device. Use the PC board copper plane connecting to V_{IN} and LX for heatsinking.

Application Circuits

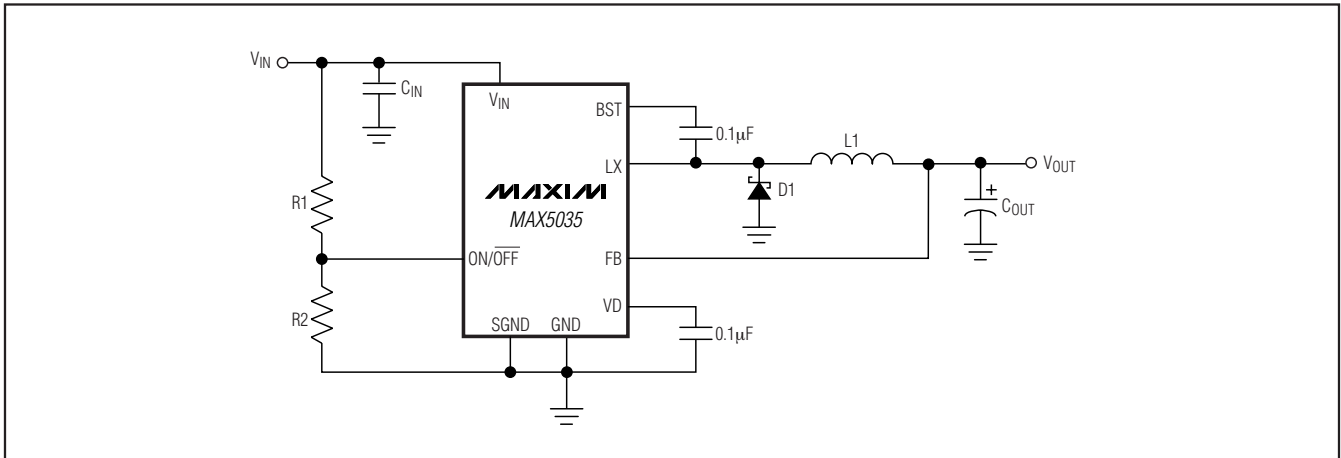


Figure 2. Fixed Output Voltages

Table 2. Typical External Components Selection (Circuit of Figure 2)

| V_{IN} (V) | V_{OUT} (V) | I_{OUT} (A) | EXTERNAL COMPONENTS |
|--------------|---------------|---------------|--|
| 7.5 to 76 | 3.3 | 0.5 | C_{IN} = 68µF, Panasonic, EEVFK2A680Q C_{OUT} = 68µF, Vishay Sprague, 594D686X_010C2T C_{BST} = 0.1µF, 0805 $R1$ = 1MΩ ±1%, 0805 $R2$ = 384kΩ ±1%, 0805 $D1$ = 50SQ100, IR $L1$ = 100µH, Coilcraft Inc., DO5022P-104 |
| 7.5 to 76 | 3.3 | 1 | C_{IN} = 68µF, Panasonic, EEVFK2A680Q C_{OUT} = 68µF, Vishay Sprague, 594D686X_010C2T C_{BST} = 0.1µF, 0805 $R1$ = 1MΩ ±1%, 0805 $R2$ = 384kΩ ±1%, 0805 $D1$ = 50SQ100, IR $L1$ = 100µH, Coilcraft Inc., DO5022P-104 |
| 7.5 to 76 | 5 | 0.5 | C_{IN} = 68µF, Panasonic, EEVFK2A680Q C_{OUT} = 68µF, Vishay Sprague, 594D686X_010C2T C_{BST} = 0.1µF, 0805 $R1$ = 1MΩ ±1%, 0805 $R2$ = 384kΩ ±1%, 0805 $D1$ = 50SQ100, IR $L1$ = 100µH, Coilcraft Inc., DO5022P-104 |
| 7.5 to 76 | 5 | 1 | C_{IN} = 68µF, Panasonic, EEVFK2A680Q C_{OUT} = 68µF, Vishay Sprague, 594D686X_010C2T C_{BST} = 0.1µF, 0805 $R1$ = 1MΩ ±1%, 0805 $R2$ = 384kΩ ±1%, 0805 $D1$ = 50SQ100, IR $L1$ = 100µH, Coilcraft Inc., DO5022P-104 |
| 15 to 76 | 12 | 1 | C_{IN} = 68µF, Panasonic, EEVFK2A680Q C_{OUT} = 15µF, Vishay Sprague, 594D156X0025C2T C_{BST} = 0.1µF, 0805 $R1$ = 1MΩ ±1%, 0805 $R2$ = 139kΩ ±1%, 0805 $D1$ = 50SQ100, IR $L1$ = 220µH, Coilcraft Inc., DO5022P-224 |

1A, 76V, High-Efficiency MAXPower Step-Down DC-DC Converter

Table 2. Typical External Components Selection (Circuit of Figure 2) (continued)

| V _{IN} (V) | V _{OUT} (V) | I _{OUT} (A) | EXTERNAL COMPONENTS |
|---------------------|----------------------|----------------------|--|
| 9 to 14 | 3.3 | 1 | C _{IN} = 220μF, Panasonic, EEVFK1E221P C _{OUT} = 68μF, Vishay Sprague, 594D686X_010C2T C _{BST} = 0.1μF, 0805 R1 = 1MΩ ±1%, 0805 R2 = 274kΩ ±1%, 0805 D1 = B220, Diodes Inc. L1 = 100μH, Coilcraft Inc., DO5022P-104 |
| | 5 | 1 | C _{IN} = 220μF, Panasonic, EEVFK1E221P C _{OUT} = 68μF, Vishay Sprague, 594D686X_010C2T C _{BST} = 0.1μF, 0805 R1 = 1MΩ ±1%, 0805 R2 = 274kΩ ±1%, 0805 D1 = B220, Diodes Inc. L1 = 100μH, Coilcraft Inc., DO5022P-104 |
| 18 to 36 | 3.3 | 1 | C _{IN} = 220μF, Panasonic, EEVFK1H221P C _{OUT} = 68μF, Vishay Sprague, 594D686X_010C2T C _{BST} = 0.1μF, 0805 R1 = 1MΩ ±1%, 0805 R2 = 130kΩ ±1%, 0805 D1 = MBRS2040, ON Semiconductor L1 = 100μH, Coilcraft Inc., DO5022P-104 |
| | 5 | 1 | C _{IN} = 220μF, Panasonic, EEVFK1H221P C _{OUT} = 68μF, Vishay Sprague, 594D686X_010C2T C _{BST} = 0.1μF, 0805 R1 = 1MΩ ±1%, 0805 R2 = 130kΩ ±1%, 0805 D1 = MBRS2040, ON Semiconductor L1 = 100μH, Coilcraft Inc., DO5022P-104 |
| | 12 | 1 | C _{IN} = 220μF, Panasonic, EEVFK1H221P C _{OUT} = 15μF, Vishay Sprague, 594D156X_0025C2T C _{BST} = 0.1μF, 0805 R1 = 1MΩ ±1%, 0805 R2 = 130kΩ ±1%, 0805 D1 = MBRS2040, ON Semiconductor L1 = 220μH, Coilcraft Inc., DO5022P-224 |

1A, 76V, High-Efficiency MAXPower Step-Down DC-DC Converter

MAX5035

Table 3. Component Suppliers

| SUPPLIER | PHONE | FAX | WEBSITE |
|---------------------|--------------|--------------|-----------------------|
| AVX | 843-946-0238 | 843-626-3123 | www.avxcorp.com |
| Coilcraft | 847-639-6400 | 847-639-1469 | www.coilcraft.com |
| Diodes Incorporated | 805-446-4800 | 805-446-4850 | www.diodes.com |
| Panasonic | 714-373-7366 | 714-737-7323 | www.panasonic.com |
| Sanyo | 619-661-6835 | 619-661-1055 | www.sanyo.com |
| TDK | 847-803-6100 | 847-390-4405 | www.component.tdk.com |
| Vishay | 402-563-6866 | 402-563-6296 | www.vishay.com |

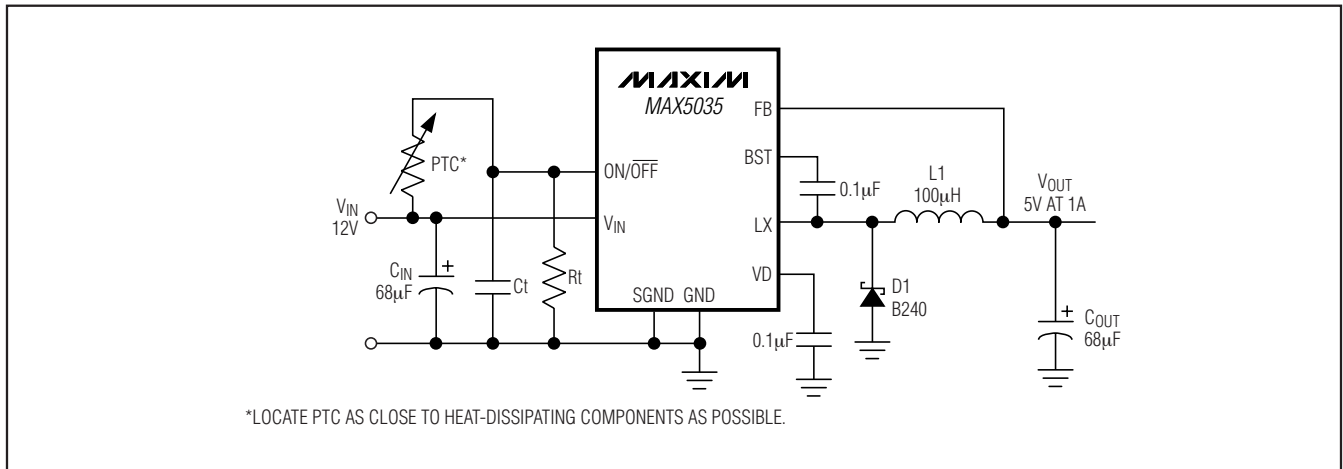


Figure 3. Load Temperature Monitoring with ON/OFF (Requires Accurate VIN)

1A, 76V, High-Efficiency MAXPower Step-Down DC-DC Converter

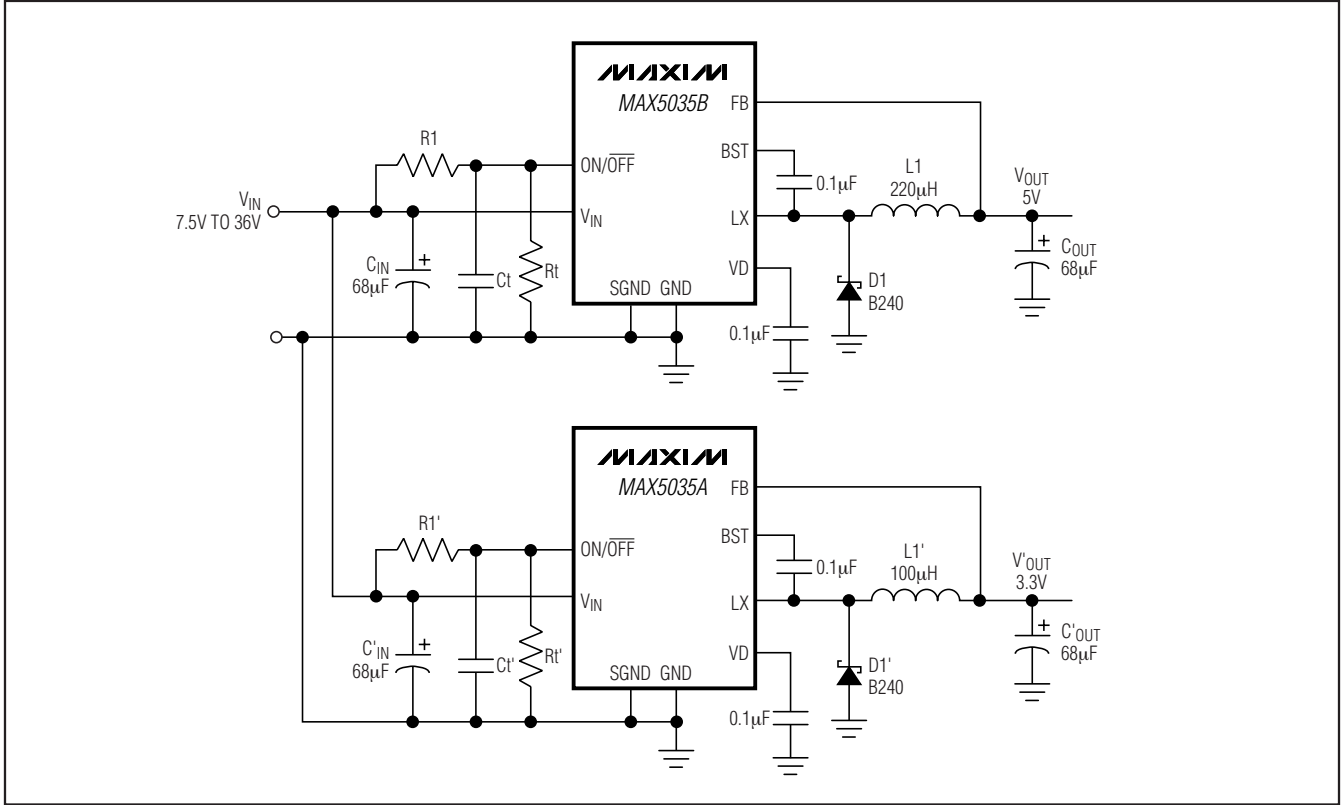


Figure 4. Dual-Sequenced DC-DC Converters (Startup Delay Determined by $R1/R1'$, $Ct/C't$ and $Rt/R't$)

Ordering Information (continued)

| PART | TEMP RANGE | PIN-PACKAGE | OUTPUT VOLTAGE (V) |
|---------------|-----------------|-------------|--------------------|
| MAX5035CUSA | 0°C to +85°C | 8 SO | 12 |
| MAX5035CUPA | 0°C to +85°C | 8 PDIP | |
| MAX5035CASA | -40°C to +125°C | 8 SO | |
| MAX5035CASAV+ | -40°C to +125°C | 8 SO | |
| MAX5035DUSA | 0°C to +85°C | 8 SO | ADJ |
| MAX5035DUPA | 0°C to +85°C | 8 PDIP | |
| MAX5035DASA | -40°C to +125°C | 8 SO | |
| MAX5035DASAV+ | -40°C to +125°C | 8 SO | |

+Denotes lead(Pb)-free/RoHS-compliant package.

Chip Information

TRANSISTOR COUNT: 4344
PROCESS: BiCMOS

Package Information

For the latest package outline information and land patterns, go to www.maxim-ic.com/packages.

| PACKAGE TYPE | PACKAGE CODE | DOCUMENT NO. |
|--------------|--------------|-------------------------|
| 8 SO | S8+2 | 21-0041 |
| 8 PDIP | P8+1 | 21-0043 |

1A, 76V, High-Efficiency MAXPower Step-Down DC-DC Converter

Revision History

| REVISION NUMBER | REVISION DATE | DESCRIPTION | PAGES CHANGED |
|-----------------|---------------|--|---------------|
| 0 | 9/03 | Initial release | — |
| 3 | 5/09 | Modified <i>Absolute Maximum Ratings</i> section, updated <i>Ordering Information</i> , style edits. | 1, 2, 16, 18 |

MAX5035

Maxim cannot assume responsibility for use of any circuitry other than circuitry entirely embodied in a Maxim product. No circuit patent licenses are implied. Maxim reserves the right to change the circuitry and specifications without notice at any time.

Maxim Integrated Products, 120 San Gabriel Drive, Sunnyvale, CA 94086 408-737-7600 _____ 17