

Precision Voltage Reference

FEATURES

VRE202 Series Precision Voltage References provide
 improved accuracy and stability over the
 VRE201 series. Improvements have been made in other performance
 parameters as well. The VRE202 series the most accurate and stable 2.5 V
 surface mount references available.

DESCRIPTION

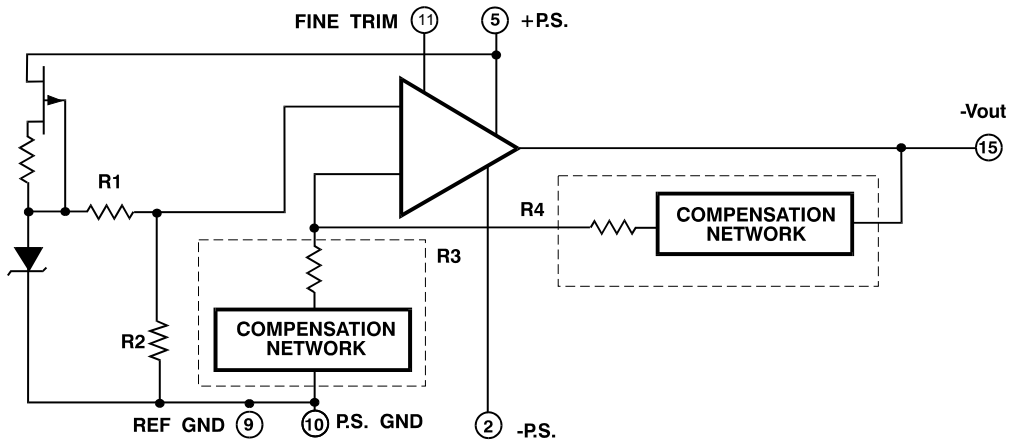
VRE202 Series Precision Voltage References provide
 improved accuracy and stability over the
 VRE201 series. Improvements have been made in other performance
 parameters as well. The VRE202 series the most accurate and stable 2.5 V
 surface mount references available.

APPLICATIONS

VRE202 devices are available in two operating tem-
 perature ranges and two electrical performance grades. All devices
 are available in two electrical performance grades. All devices
 are available in two electrical performance grades. All devices

VRE202 devices are available in two operating tem-
 perature ranges and two electrical performance grades. All devices
 are available in two electrical performance grades. All devices

Figure 1. BLOCK DIAGRAM



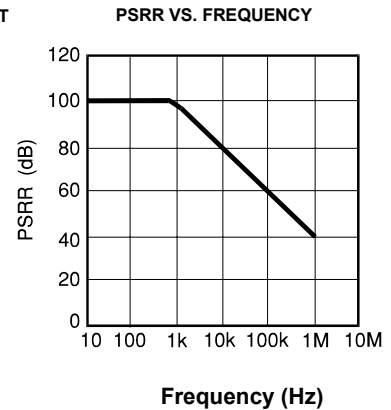
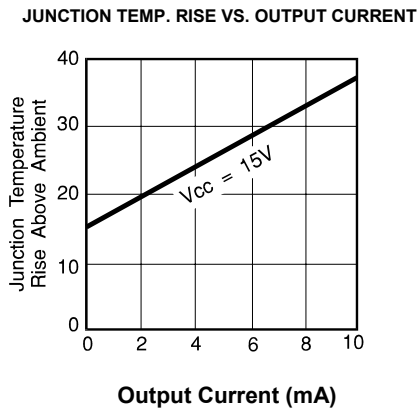
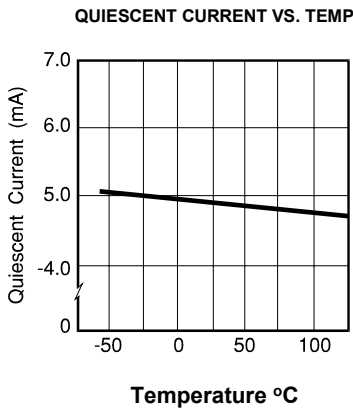
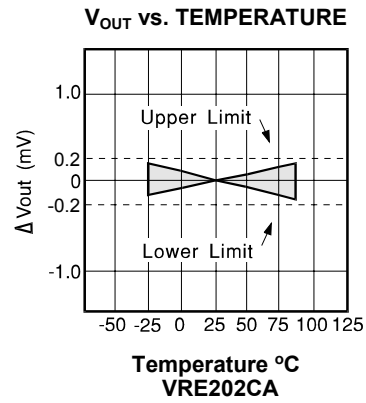
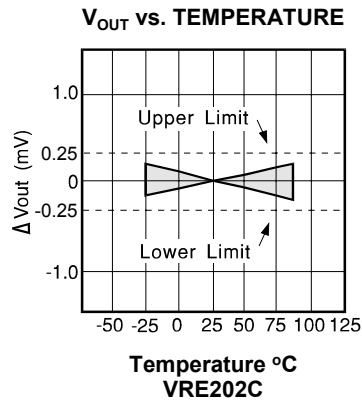
SELECTION GUIDE

Model	Output (V)	Temperature Operating Range	Volt Deviation (MAX)
J F 9 & \$ & 7	+2.5V	! &) § 7` h c	Ž , -) & § 7\$ ± J
J F 9 & \$ & 7 5	+2.5V	! &) § 7` h c	Ž , -) & § 7\$ ± J



20-terminal Ceramic LCC
 Package Style HD

2. TYPICAL PERFORMANCE CURVES



3. THEORY OF OPERATION

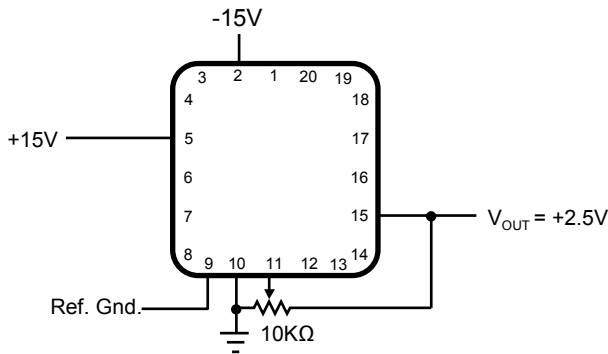
diode over time and temperature.

perature ranges.

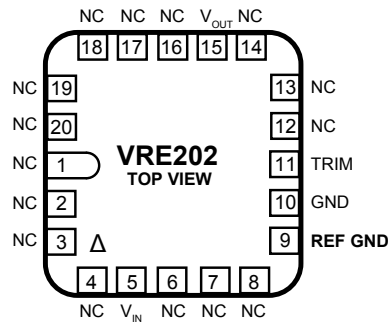
4. APPLICATION INFORMATION

H\Y`dfcdYf`WcbbYWh]cb`cZ`h\Y`JF9&\$&`gYf]Yg`jc`hU[Y`fYZYfY
WUfYZi`UhhYbh]cb`hc`h\Y`W]fWi]h`Umcih`hc`Ujc]X`bc]gY`d
H\Y`JF9&\$&`gYf]Yg`jc`hU[Y`fYZYfYbWYg`\UjY`h\Y`[fci bX`hYfa
UfY`WcbbYWhYX`hc[Yh\Yf`]bhYfbU`m`H\]g`U`ckg`h\Y`igYf`
fYZYfYbWYg`\UjY`U`jc`hU[Y`Xfcd`UWfcgg`h\Y]f`dckYf`gidd`m`
WcbhUWh`fYg]ghUbWY`=Z`h\Y`WcbhUWh`fYg]ghUbWY`kUg`WcbghU
hf]aaYX`cih`K\Yb`h\Y`fYZYfYbWY`]g`d`i`[[YX`]bhc`U`gcW`Yh
bYWh]b[d]b`%\$`hc`h\Y`dckYf`gidd`m`[fci bX`UbX`d]b`-`hc`U`
h\Y`Yffc`f`XiY`hc`h\Y`WcbhUWh`fYg]ghUbWY`WUb`VY`Y`]a]bUhYX
giZÜW]Ybh`m`gaU`h\Uh`]h`XcYg`bch`YZZYWh`dYfZcfaUbWY`

EXTERNAL CONNECTIONS



PIN CONFIGURATION



CONTACTING CIRRUS LOGIC SUPPORT

:cf`U`5dYI`DfYW]g]cb`DckYf`dfcXiWh`eiYgh]cbg`UbX`]bei]f
:cf`]bei]f]Yg`j]U`YaU`]ž`d`YUgY`WcbhUWh`UdYI`"gi ddcfh4W]ff
=bhYfbUh]cbU`Wi ghcaYfg`WUb`U`gc`fYeiYgh`giddcfh`Vm`WcbhU
Hc`ÜbX`h\Y`cbY`bYUfYgh`hc`mciž`[c`hc`kkk"W]ffig"Wca

=ADCFH5BH`BCH=79

7]ffig`@c[]Wž`=bW`UbX`]hg`giVg]X]Uf]Yg`fl`7]ffig`k`VY`]YjY`h\Uh`h\Y`]bZcfaUh]cb`V
hc`W`Ub[Y`k]h\cih`bch]WY`UbX`]g`dfcj]XYX`5G`=G`k]h\cih`kUffUbhm`cZ`Ubm`]bX`flY
]bZcfaUh]cb`hc`jYf]Zmž`VYZcfY`d`UW]b[cfXYfgž`h\Uh`]bZcfaUh]cb`VY]b[cfY]YX`cb`]g
gidd`]YX`Uh`h\Y`h]aY`cZ`cfXYf`UW_bck`YX[aYbhž`]bW`iX]b[h\cgY`dYfhU]b]b[hc`kUffU
Zcf`h\Y`igY`cZ`h\]g`]bZcfaUh]cbž`]bW`iX]b[igY`cZ`h\]g`]bZcfaUh]cb`Ug`h\Y`VUg]g`Z
dUfh]Yg`H\]g`XcWi`aYbh`]g`h\Y`dfcdYfhm`cZ`7]ffig`UbX`Vm`Zifb]g\]b[h\]g`]bZcfaUh]
Wcdmf][\hgž`hfUXYaUf_gž`hfUXY`gYWfYhg`cf`ch\Yf`]bhY`YWhiU`dfcdYfhm`f][\hg`7]ff
gYbh`Zcf`Wcd]Yg`hc`VY`aUXY`cZ`h\Y`]bZcfaUh]cb`cb`m`Zcf`igY`k]h\]b`mci`f`cf[UbnUh]
XcYg`bch`YI`hYbX`hc`ch\Yf`Wcdm]b[giW`Ug`Wcdm]b[Zcf`[YbYfU`X]ghf]Vi]h]cbž`UXjYfh

79FH5=B`5DD@=75H=CBG`IG=B;`G9A=7CB817HCF`DFC817HG`A5M`=BJC@J9`DCH9BH=5@!F=G?G`C`
9FH`CF`9BJ=FCBA9BH5@`85A5;9`fl]7F=H=75@`5DD@=75H=CBG`l`7=FFIG`DFC817HG`5F9`BCH`
GI`H56@9`CF`IG9`=B`DFC817HG`GIF;`=75@@M`=AD@5BH98`=BHC`H<9`6C8Mž`5I`HCACH=J9`G5;9H
I7HG`CF`CH<9F`7F=H=75@`5DD@=75H=CBG`=B7@IG=CB`C`7=FFIG`DFC817HG`=B`GI7!<5DD@=75
HCA9FDG`F=G?`5B8`7=FFIG`8=G7@5=AG`5B8`A5?9G`BC`K5FF5BHMž`9LDF9GGž`GH5HI`HCFM`CF`=A
A9F7<5BH56=@`HM`5B8`:=HB9GG`CF`D5FH=7I@5F`DIFDCG9ž`K=H<F9;5F8`HC`5BM`7=FFIG`DFC
7I`GHCA9F`CF`7I`GHCA9FDG`7I`GHCA9F`IG9G`CF`D9FA=HG`H<9`IG9`C`7=FFIG`DFC817HG`=B`7F
6M`GI7<IG9ž`HC`I@M`=B89AB`=M`7=FFIGž`=HG`C`:=79FGž`8=F97HCFGž`9AD@CM99Gž`8=GH
@=56=@`HMž`=B7@I8=B;`5HHCfB9MGD`99G`5B8`7CGHGž`H<5H`A5M`F9GI`@H`FCA`CF`5F=G9`=B`

7]ffig`@c[]Wž`7]ffigž`UbX`h\Y`7]ffig`@c[]W`c[c`XYg][bgž`5dYI`DfYW]g]cb`DckYfž`5d
5`ch\Yf`VfUbX`UbX`dfcXiWh`bUaYg`]b`h\]g`XcWi`aYbh`aUm`VY`hfUXYaUf_g`cf`gYfj]WY`a