

ZMD31010

RBic_{Lite}TM Low-Cost Sensor Signal Conditioner

ZMDI[®]

The Analog Mixed Signal Company



Brief Description

The RBic_{Lite}TM ZMD31010 is a sensor signal conditioner integrated circuit, which enables easy and precise calibration of resistive bridge sensors via EEPROM. When mated to a resistive bridge sensor, it will digitally correct offset and gain with the option to correct offset and gain coefficients and linearity over temperature. A second-order compensation can be enabled for temperature coefficients of gain or offset or bridge linearity. The RBic_{Lite}TM communicates via ZMD's ZACwireTM serial interface to the host computer and is easily mass calibrated in a Windows[®] environment. Once calibrated, the output pin SigTM can provide selectable 0 to 1 V, rail-to-rail ratiometric analog output, or digital serial output of bridge data with optional temperature data.

Features

- Digital compensation of sensor offset, sensitivity, temperature drift, and non-linearity
- Accommodates differential sensor signal spans, from 1.2 mV/V to 60 mV/V
- ZACwireTM One-Wire Interface (OWI)
- Internal temperature compensation and detection via bandgap PTAT (proportional to absolute temperature)
- Optional sequential output of both, temperature and bridge readings, on ZACwireTM digital output
- Output options: rail-to-rail analog output voltage, absolute analog voltage, digital One-Wire Interface (OWI)
- Fast response time, 1 ms (typical)
- High voltage protection up to 30 V with external JFET
- Chopper-stabilized true differential ADC
- Buffered and chopper-stabilized output DAC

Benefits

- No external trimming components required
- PC-controlled configuration and calibration via One-Wire Interface – simple, low cost
- High accuracy ($\pm 0.1\%$ FSO @ -25 to 85°C ; $\pm 0.25\%$ FSO @ -50 to 150°C)
- Single pass calibration – quick and precise
- Suitable for battery-powered applications
- Small SOP8 package

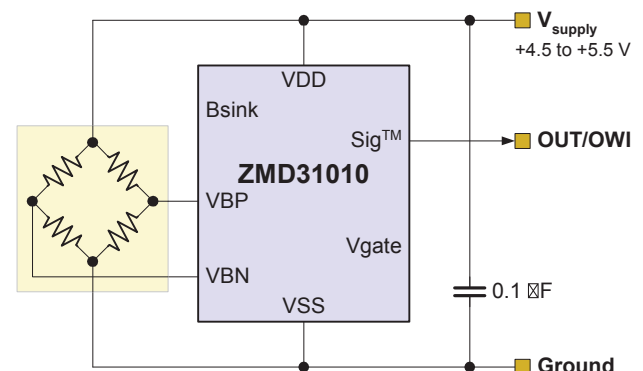
Available Support

- Development Kit available
- Multi-Unit Calibrator Kit available
- Support for industrial mass calibration available
- Quick circuit customization possible for large production volumes

Physical Characteristics

- Supply voltage 2.7 to 5.5 V, with external JFET 5.5V to 30 V
- Current consumption depending on adjusted sample rate: 0.25 mA to 1 mA
- Wide operational temperature: -50 to $+150^\circ\text{C}$

ZMD31010 Application Circuit – Digital Output



ZMD31010

RBic_{Lite}™ Low-Cost Sensor Signal Conditioner



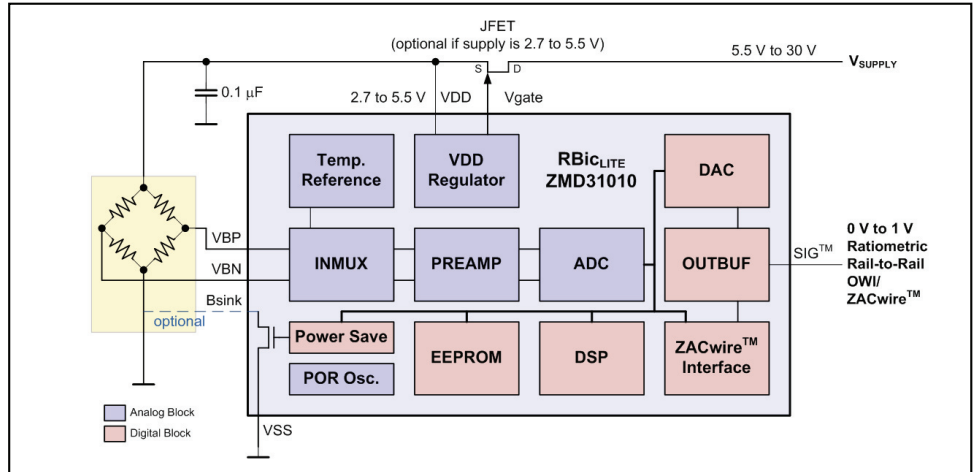
The Analog Mixed Signal Company



ZMD31010 Block Diagram

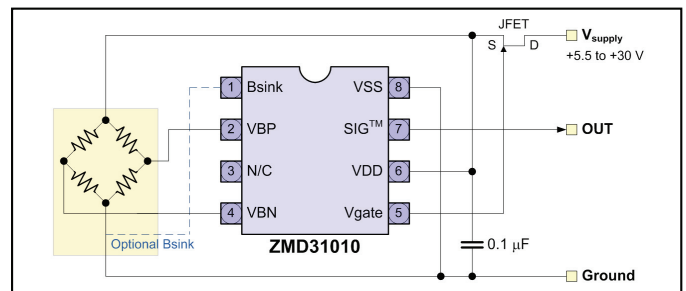
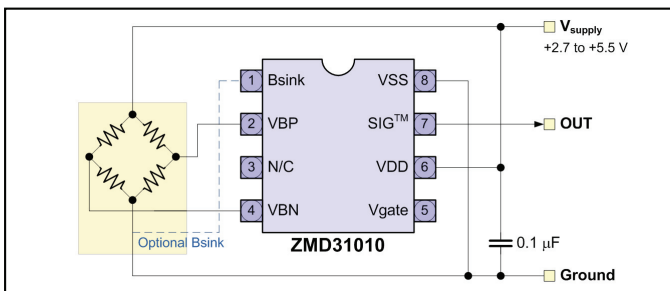
Highly Versatile Applications in Many Markets Including

- ❖ Industrial
- ❖ Building Automation
- ❖ Office Automation
- ❖ White Goods
- ❖ Automotive
- ❖ Portable Devices
- ❖ Your Innovative Designs



Rail-to-Rail Ratiometric Voltage Output Applications

Absolute Analog Voltage Output Applications



Ordering Examples (Please contact ZMDI Sales for additional options.)

Sales Code	Description	Package
ZMD31010CEB	ZMD31010 RBic _{Lite} ™ Die — Temperature range:-50°C to +150°C	Unsawn on Wafer
ZMD31010CEC	ZMD31010 RBic _{Lite} ™ Die — Temperature range:-50°C to +150°C	Sawn on Wafer Frame
ZMD31010CED	ZMD31010 RBic _{Lite} ™ Die — Temperature range:-50°C to +150°C	Waffle Pack
ZMD31010CEG1	ZMD31010 RBic _{Lite} ™ SOP8 (150 mil) — Temperature range:-50°C to +150°C	Tube: add "-T" to sales code Reel: add "-R"
ZMD31010KIT	ZMD31010 SSC Evaluation Kit: Communication Board, SSC Board, Sensor Replacement Board, Evaluation Software, USB Cable, 5 IC Samples	Kit

Sales and Further Information

www.zmdi.com

sales@zmdi.com

Zentrum Mikroelektronik Dresden AG (ZMD AG)
Grenzstrasse 28
01109 Dresden
Germany
Phone +49 (0)351.8822.7.772
Fax +49(0)351.8822.87.772

ZMD America, Inc.
8413 Excelsior Drive
Suite 200
Madison, WI 53717
USA
Phone +01 (608) 829-1987
Fax +01 (631) 549-2882

ZMD AG, Japan Office
2nd Floor, Shinbashi Tokyu Bldg.
4-21-3, Shinbashi, Minato-ku
Tokyo, 105-0004
Japan
Phone +81.3.6895.7410
Fax +81.3.6895.7301

ZMD Far East, Ltd.
3F, No. 51, Sec. 2,
Keelung Road
11052 Taipei
Taiwan
Phone +886.2.2377.8189
Fax +886.2.2377.8199

DISCLAIMER: This information applies to a product under development. Its characteristics and specifications are subject to change without notice. Zentrum Mikroelektronik Dresden AG (ZMD AG) assumes no obligation regarding future manufacture unless otherwise agreed to in writing. The information furnished hereby is believed to be true and accurate. However, under no circumstances shall ZMD AG be liable to any customer, licensee, or any other third party for any special, indirect, incidental, or consequential damages of any kind or nature whatsoever arising out of or in any way related to the furnishing, performance, or use of this technical data. ZMD AG hereby expressly disclaims any liability of ZMD AG to any customer, licensee or any other third party, and any such customer, licensee and any other third party hereby waives any liability of ZMD AG for any damages in connection with or arising out of the furnishing, performance or use of this technical data, whether based on contract, warranty, tort (including negligence), strict liability, or otherwise.