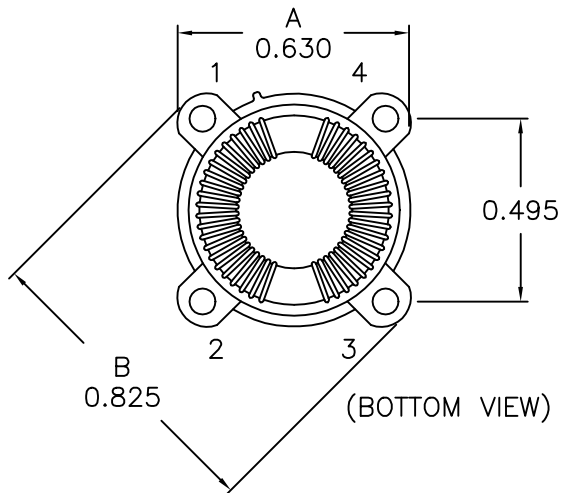
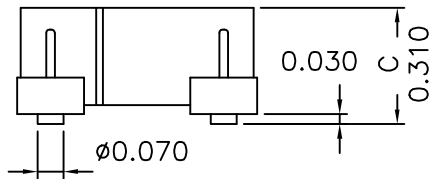
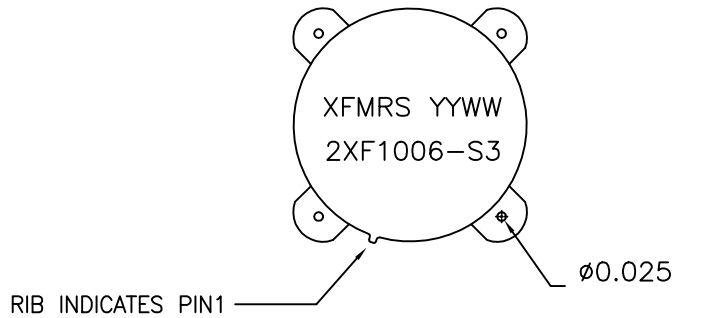
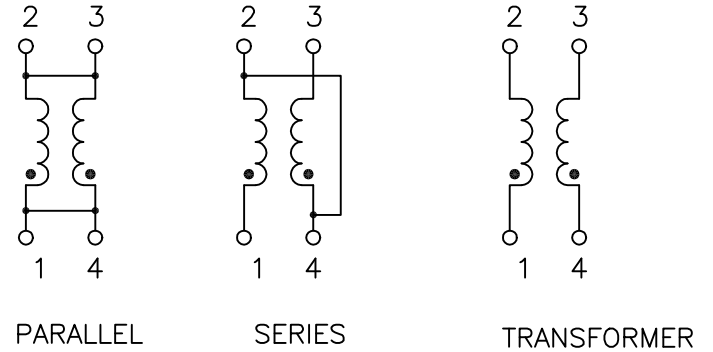


1. Dimensions:



2. Schematic:



3. Electrical Specifications: @25°C

	PARALLEL	SERIES
OCL(NO DC):	100uH TYPICAL	400uH TYPICAL
MAX DC I:	0.67ADC	0.335ADC
DC RES:	0.375 OHMS MAX	1.50 OHMS MAX
Isolation:	500 Vrms	

Note:

- Solderability: Leads shall meet MIL-STD-202, Method 208D for solderability.
- Flammability: UL94V-0,
- ASTM oxygen index: > 28% ,
- Temperature rating: 155°C. UL file E151556,
- Operating Temperature Range: -40°C to +85°C

XFMRS Inc. UNLESS OTHERWISE SPECIFIED TOLERANCES: .xxx ±0.010 Dimensions in Inch SCALE 2:1 SHT 1 OF 1	Title: DUAL SURFACE MOUNT INDUCTOR	
	P/N: 2XF1006-S3	REV. A
	DWN. 廖玉坤	Jan-09-01
	CHK. 李清儿	Jan-09-01
	APP. Joe Huff	Jan-10-01

DOC. REV A/4