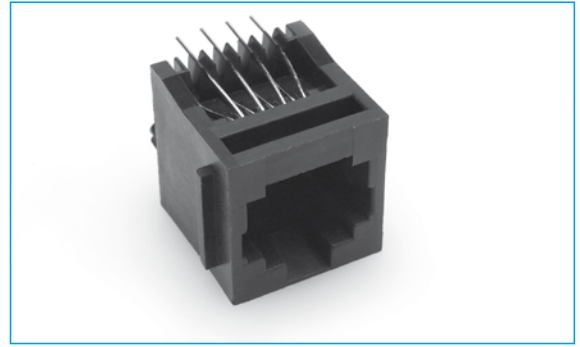


## NETWORKING SOCKETS

- Top entry
- 4, 6, 8 way available
- Board solderable
- Competitively priced
- Stocked line

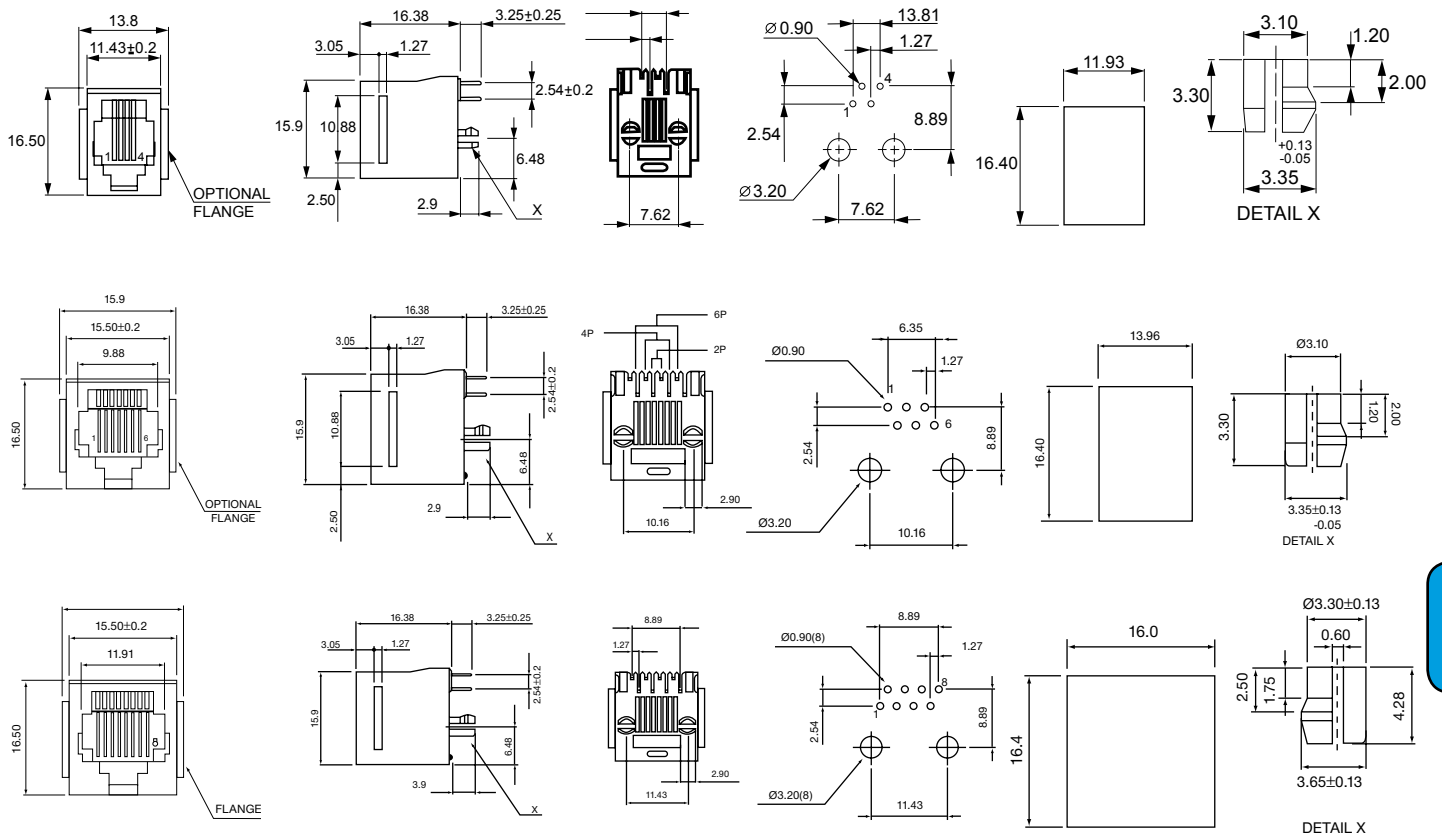
## TOP ENTRY PCB JACK



### SPECIFICATION

<b>Current Rating</b>	3A
<b>Contact Resistance</b>	30mΩ max at DC 100mA
<b>Dielectric withstanding Voltage</b>	AC 500V for 1 minute
<b>Insulation Resistance</b>	1000mΩ min at DC 500V
<b>Plating</b>	Selective gold plating over Nickel Tin plate on solder foils
<b>Housing</b>	UL94V0 Standard
<b>Colour</b>	Black and Grey
<b>Contact</b>	0.35mm Phosphor bronze
<b>Operating Temperature</b>	-55°C to +105°C

### OUTLINE DRAWING



### ORDERING INFORMATION

DBC	RJ20ES	1	0011
Dubilier Connectors	Series	Colour 1 = Black 5 = Grey	No. of Ways 0411=4way 0611=6way 0011=8way

SECTION 16