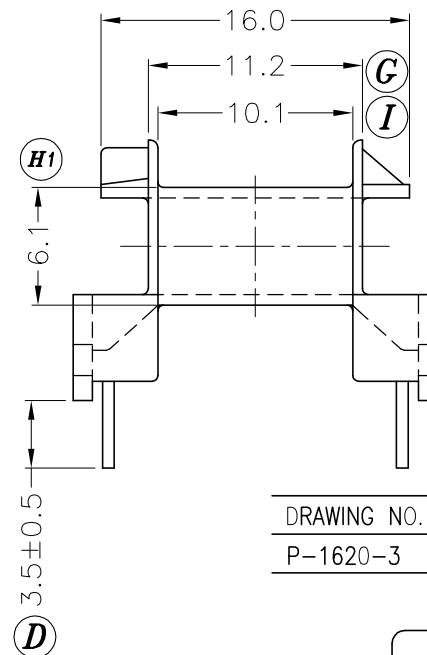
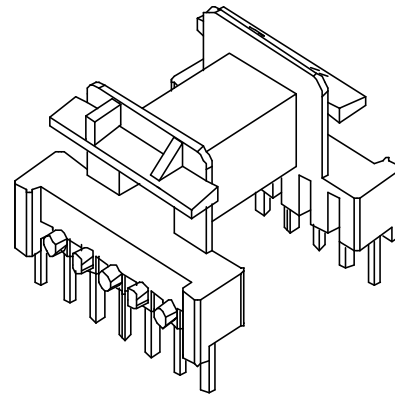
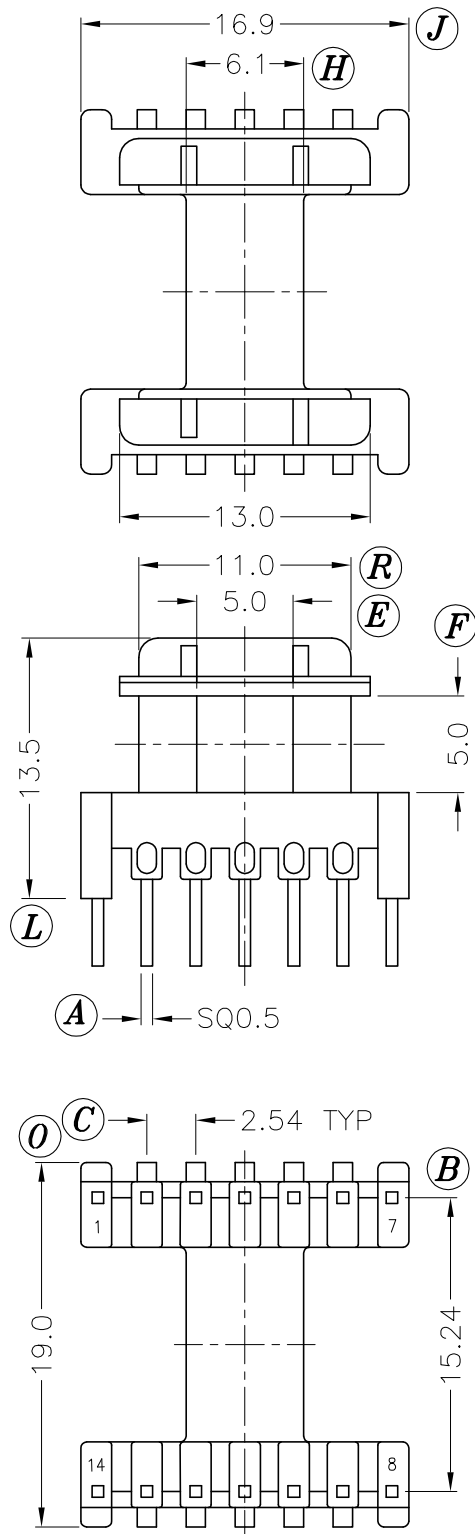


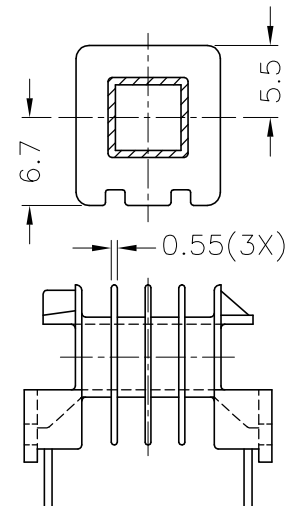
**FERYSTER Inductive Components**

ul. Traugutta 4 , 68-120 Iłowa Poland

http://www.feryster.com.pl e-mail: info@feryster.com.pl



DRAWING NO.	MATERIAL:	ORIGIN:
P-1620-3	PM9820	DG



<b>DOSTAWCA:</b>	TOLERANCES		ANGLE:	TITLE: <b>EF16-K-H-14P-4S</b>		
	0<L≤4 ±0.1	pin pitch	±1°	BOBBIN MATERIAL:		UL REC.
FERYSTER Inductive Components Tel: +48 68 360 00 76 fax: +48 68 360 00 70	4<L≤16 ±0.2	±0.2	UNIT:	PHENOLIC PM9820		UL 94V-0
	16<L≤63 ±0.3		MM	PIN MATERIAL:	CP WIRE	
			ORIGIN:	DG	PIN TENSION LOAD:	
				DATE:	DRAWING NO.	REV.
				APR.01 '2003	P-1620	2