

# Common Mode Choke

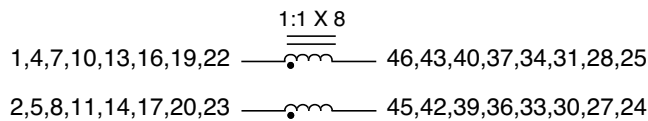
## EPA3800S

- Common Mode Choke for EMI Reduction •
- Very low Crosstalk •
- 8 Common Mode Chokes with 2 lines each •

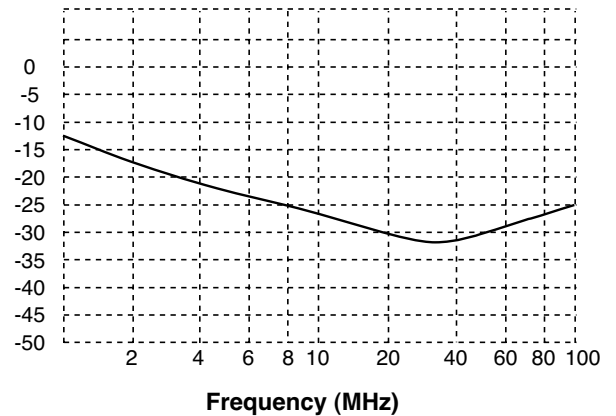
### Electrical Parameters @ 25° C

OCL ( $\mu$ H Min.)	Interwinding Capacitance (pF Max.)	Leakage Inductance ( $\mu$ H Max.)	DCR ( $\Omega$ Max.)	Hipot (Vrms)
@100KHz , 0.1V	@100KHz , 0.1V	@100KHz , 0.1V		
36	15	0.3	0.4	500

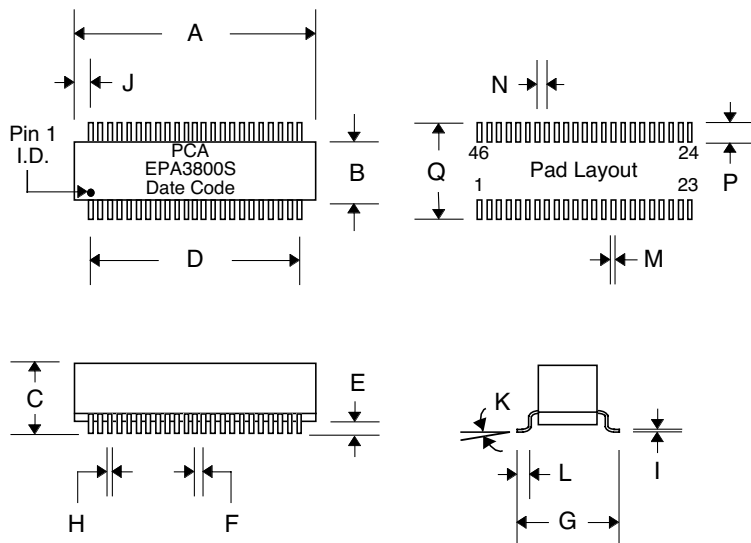
### Schematic



### Typical Common Mode Attenuation (dB)



### Package



### Dimensions

Dim.	(Inches)			(millimeters)		
	Min.	Max.	Nom.	Min.	Max.	Nom.
A	1.290	1.310	1.300	32.77	33.27	33.02
B	.260	.280	.270	6.60	7.11	6.86
C	.370	.390	.380	9.40	9.90	9.65
D	---	---	1.100	---	---	21.94
E	.005	.015	.010	.127	3.81	.254
F	---	---	.050	---	---	1.27
G	.370	.390	.380	9.40	9.90	9.65
H	.018	.022	.020	.457	.559	.508
I	.008	.012	.010	.203	.305	.254
(J)	---	---	.100	---	---	2.54
K	0°	8°	3°	0°	8°	3°
L	.025	.045	.035	.635	1.14	.889
M	---	---	.030	---	---	.762
N	---	---	.050	---	---	1.27
P	---	---	.085	---	---	2.16.1
Q	---	---	.440	---	---	1.18