

EPA3803S & EPA3803S-LF

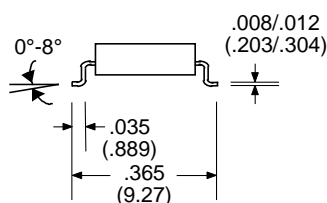
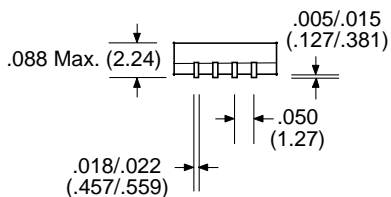
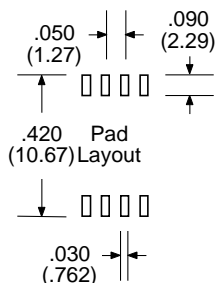
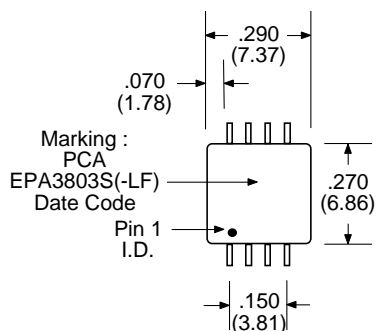


- Used in SMPS Push-Pull Topology
- Add “-LF” after part number for Lead-Free
- Storage Temperature : -40°C to +125°C
- Operating Temperature : 0°C to +70°C
- UL 94V-0 Recognized Components
- UL 1446 Class B Insulation System
- 500 Vrms Minimum Isolation
- PCMCIA Package

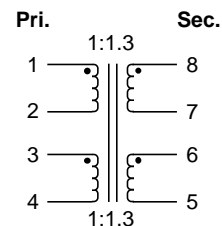
Electrical Parameters @ 25° C

| Primary OCL (μ H Typ.) @ 100 KHz, 0.1 Vrms | Interwinding Capacitance (pF Max.) @ 100 KHz, 0.1 Vrms | Leakage Inductance (μ H Max.) @ 1 MHz, 0.1 Vrms | Pri. DCR (Max.) | Vt (V- μ Sec.) @ 500 KHz Typ. |
|---|--|--|------------------------|---|
| 240 | 12 | 0.4 | 0.6 | 5.0 |
| Pins 1-2 | Pri. Wdgs to Sec. Wdgs | Pins 1-2 with Pins 3, 4, 5, 6, 7, 8 Shorted | Pins 1-2 & Pins 3-4 | |

Package



Schematic



| Notes : | EPA3803S | EPA3803S-LF |
|------------------------------------|------------------------------|------------------------------|
| 1. Lead Finish | SnPb | Hot Dipped Sn or SAC |
| 2. Peak Solder Rating | 225°C | 260°C |
| 3. Moisture Sensitive Levels (MSL) | 1 (Unlimited, 30°C/60%RH) | 1 (Unlimited, 30°C/60%RH) |
| 4. Weight | 0.250 grams | 0.250 grams |
| 5. Packaging Information (Tube) | 78 pcs / tube | 78 pcs / tube |

Unless Otherwise Specified Dimensions are in Inches /mm \pm .010 / .25