

ADSL Transformer

EPD1012G

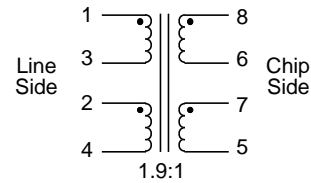
- Designed to meet Supplementary Insulation Requirement • of IEC950 for 250 VAC working Voltage
- Excellent THD Characteristic •
- Isolation : 1500Vrms •

Electrical Parameters @ 25° C

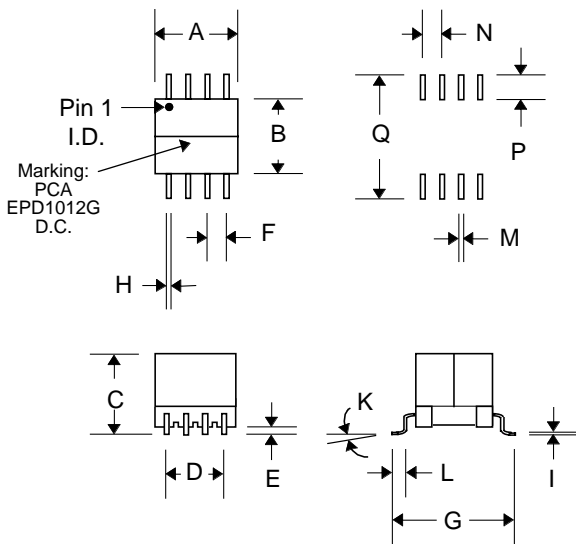
Line Side OCL ($\mu\text{H} \pm 5\%$)	Leakage Inductance (μH Max.)	Interwinding Capacitance (pF Max.)	Total Harmonic Distortion Line Side (dB Min.)	Longitudinal Balance (dB Min.)	DCR (Ω Max.)	
					Line	Chip
@ 10 KHz , 0.1 Vrms	@ 100 KHz, 0.1 Vrms	@ 100 KHz, 0.1 Vrms	@ 100 KHz, 15 Vp-p	@ 100 KHz	Line	Chip
400	6	20	-80	60	1.1	1.1
Pins 1-4 with 3-2 shorted	Pins 1-4 with 3-2, 8-5 & 6-7 shorted				Pins 1-4 w/ 3-2 shorted	Pins 8-5 w/ 6-7 shorted

• Characteristics Impedance : 100 Ω •

Schematic



Package



Dimensions

Dim.	(Inches)			(Millimeters)		
	Min.	Max.	Nom.	Min.	Max.	Nom.
A	---	.475	.460	---	12.06	11.68
B	---	.420	.405	---	10.67	10.28
C	---	.435	.420	---	11.05	10.67
D	---	---	.300	---	---	7.62
E	---	---	.010	---	---	.254
F	---	---	.100	---	---	2.54
G	---	.590	.575	---	41.98	14.60
H	---	---	.024	---	---	.609
I	---	---	.012	---	---	.305
K	0°	8°	3°	0°	8°	3°
L	.030	.050	.040	.762	1.27	1.02
M	---	---	.035	---	---	.889
N	---	---	.100	---	---	2.54
P	---	---	.090	---	---	2.28
Q	---	---	.625	---	---	15.88