

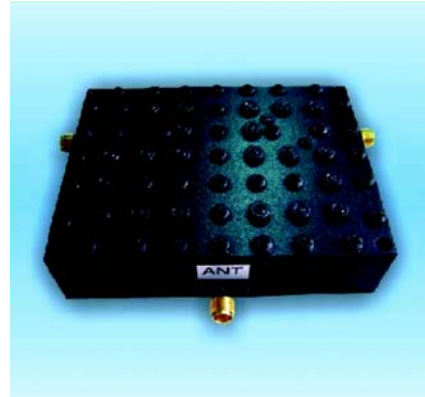
3.5GHz Cavity Diplexer

► Applications

- Special for 3.5GHz BAN (Broadband Access Network)

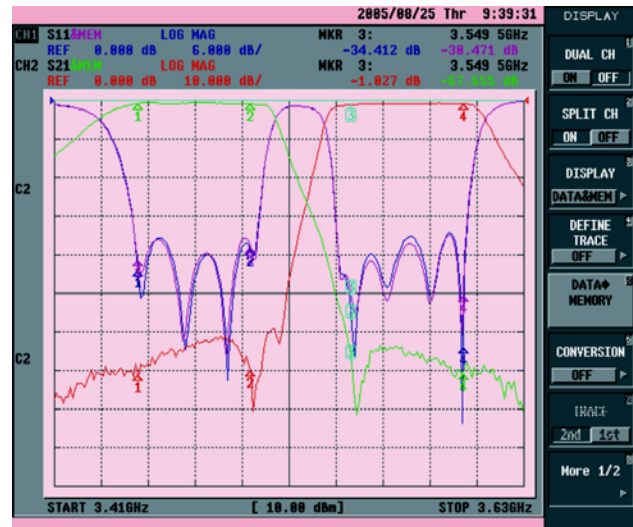
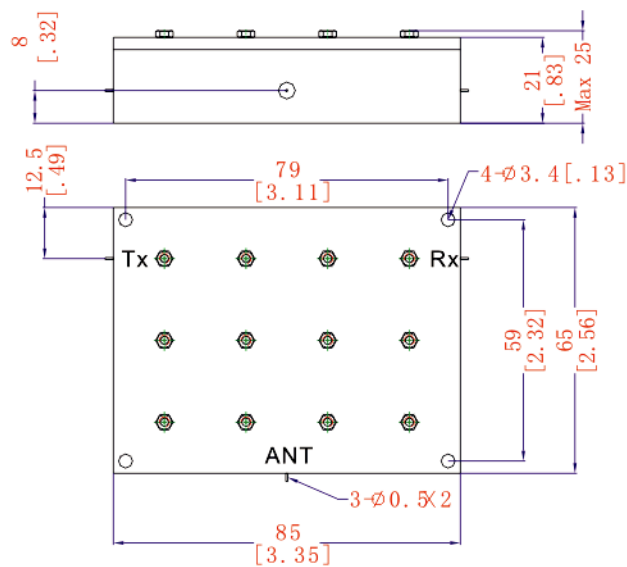
► Features

- Small Size, High "Q", Low Insertion Loss
- Asymmetric Pseudo Elliptic Designs, High Isolation
- Coaxial Cavity Housing, High Reliability, High Power Handling
- Custom Designs Available



► Technical Specifications

P/N	JXMBSG-T-3.5-01-C	
Item	Low	High
Center Frequency	3476MHz	3576MHz
Frequency Range	3449.5-3502MHz	3549.5-3602MHz
Insertion Loss	≤1.8dB	≤1.8dB
Ripple in band	≤0.8dB	≤0.8dB
VSWR	≤1.3	≤1.3
Rejection	≥57dB@3549.5-3602MHz	≥52dB@3449.5-3502MHz
Input Power	5W max	
Port Connector	PCB interface(SMA-Female)	



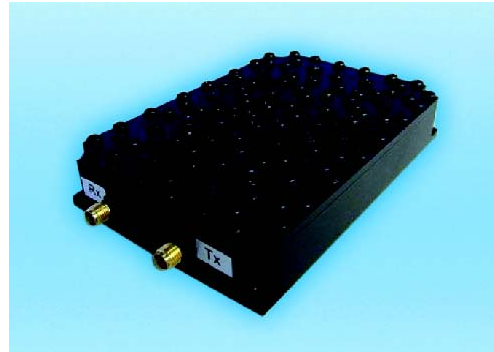
3.5GHz Cavity Diplexer

► Applications

- Special for 3.5GHz BAN (Broadband Access Network)

► Features

- Small Size, High "Q", Low Insertion Loss
- Asymmetric Pseudo Elliptic Designs, High Isolation
- Coaxial Cavity Housing, High Reliability, High Power Handling
- Custom Designs Available



► Technical Specifications

P/N	JXMBSG-T-3.5-02-C	
Item	Rx	Tx
Frequency Range	3399.5-3452MHz	3499.5-3552MHz
Insertion Loss	≤1.2dB	≤1.2dB
Ripple in band	≤0.5dB	≤0.5dB
Return Loss	≥19dB	≥19dB
Rejection	≥20dB@DC-3375MHz	≥20dB@DC-3399MHz
	≥75dB@3499.5-3552MHz	≥75dB@3399.5-3452MHz
	≥20dB@3552-7000MHz	≥20dB@3577-7000MHz
Power Handling	≥CW average: 5W	≥CW average: 5W
	≥Peak: 50W	≥Peak: 50W
Port Connector	SMA-Female	
Port Sign	Port1: ANT; Port2: Rx; Port3: Tx	

