

# SURFACE MOUNT DRUM CORE INDUCTOR

Electrical Specifications at 25°C

Parameter	Min.	Typ.	Max.	Units
Inductance <sup>(1)</sup>	8	10	12	μH
I <sub>sat</sub> <sup>(2)</sup>			1.1	A
DCR		160		Ω

Our surface mount drum core inductors are designed for small board spaces, low cost and high performance.

High current per volume.

Reflow compatible.

Flat top for pick and place.

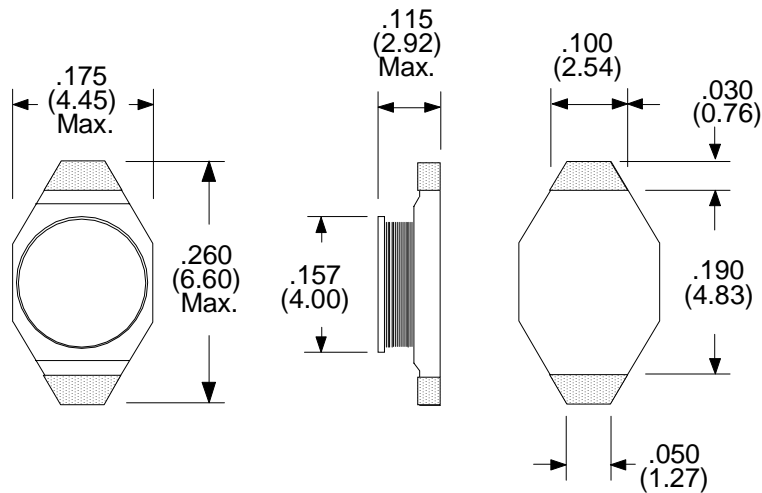
Packaged in Tape and Reel  
(Minimum order restrictions may apply)

**Notes:**

1. Inductance tested at 100 mV<sub>RMS</sub> and 100 kHz
2. Current for 10% drop in Inductance typical

Operating Temperature Range: -40°C to +85°C

Dimensions in inches (mm)



RHOMBUS P/N: <b>L-19555</b>	
CUST P/N:	NAME:
DATE: <b>02-26-02</b>	SHEET: