

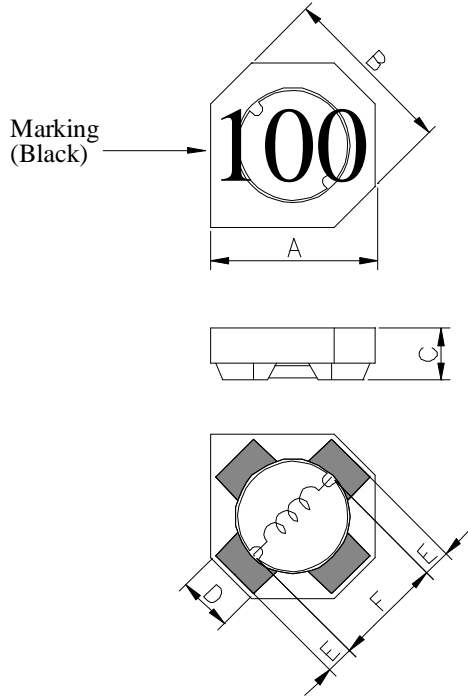
SPECIFICATION FOR APPROVAL

REF :20080801-A

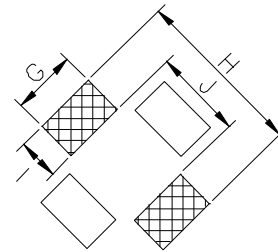
PAGE: 1

PROD. NAME	SHIELDED SMD POWER INDUCTOR	ABC'S DWG NO.	SU3017□□□□L□-□□□
		ABC'S ITEM NO.	

I . CONFIGURATION & DIMENSIONS :

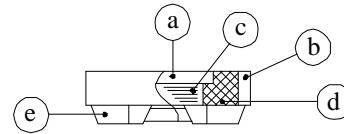


A :	3.30	±0.20	m/m
B :	3.50	±0.20	m/m
C :	1.80	±0.20	m/m
D :	1.10	typ.	m/m
E :	0.50	typ.	m/m
F :	2.30	typ.	m/m
G :	1.30	ref.	m/m
H :	4.20	ref.	m/m
I :	1.20	ref.	m/m
J :	1.80	ref.	m/m



(PCB Pattern Suggestion)

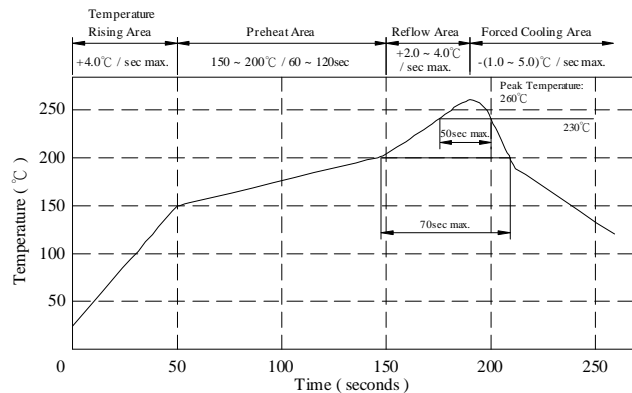
II . SCHEMATIC DIAGRAM :



III . MATERIALS :

- a . Core : Ferrite DR core
- b . Core : Ferrite RI core
- c . Wire : Enamelled copper wire (class F & H)
- d . Adhesive : Epoxy resin
- e . Terminal : Ag/Ni/Sn
- f . Remark : Products comply with RoHS' requirements

Peak Temp : 260°C max.
 Max time above 230°C : 50sec max.
 Max time above 200°C : 70sec max.



IV . GENERAL SPECIFICATION :

- a . Temp. rise : 30°C typ.
- b . Rated current :
Base on temp. rise & $\Delta L / L0A=35\%$ typ.
- c . Storage temp. : -40°C ----+125°C
- d . Operating temp. : -40°C ----+105°C
- e . Resistance to solder heat : 260°C.10 secs.

AR-001A

SPECIFICATION FOR APPROVAL

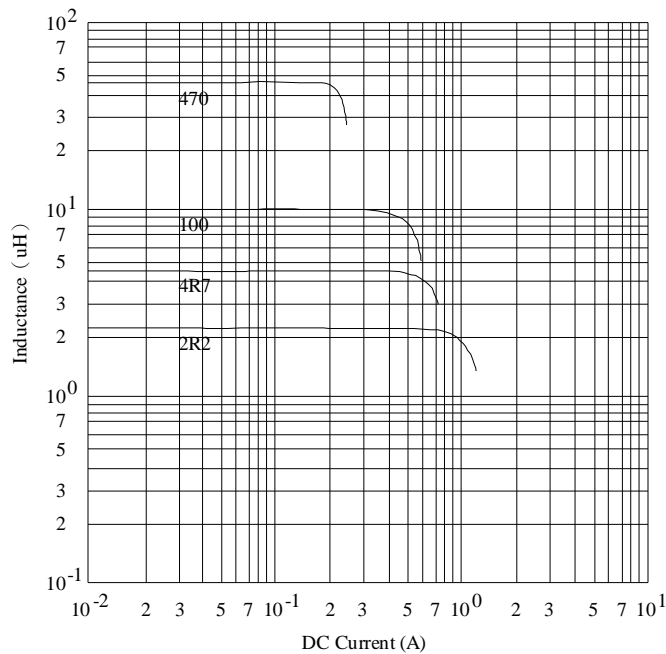
PROD. NAME	SHIELDED SMD POWER INDUCTOR	ABC'S DWG NO.	SU3017□□□□L□-□□□
		ABC'S ITEM NO.	

V . ELECTRICAL CHARACTERISTICS :

DWG No.	Inductance (μH)	Q ref.	Test Freq. (Hz)/0.1V		RDC (mΩ)		SRF (MHz) typ.	Irms (mA) typ.	Isat (mA) typ.
			L	Q	typ.	max.			
SU30172R2YL□-□□□	2.2 ± 30 %	8.0	100K	7.96M	35	45	100	1700	980
SU30173R3YL□-□□□	3.3 ± 30 %	8.0	100K	7.96M	55	70	80	1450	800
SU30174R7YL□-□□□	4.7 ± 30 %	10.0	100K	7.96M	68	87	60	1100	630
SU30176R8YL□-□□□	6.8 ± 30 %	10.0	100K	7.96M	85	105	50	1000	530
SU3017100YL□-□□□	10.0 ± 30 %	15.0	100K	2.52M	120	150	40	850	470
SU3017150YL□-□□□	15.0 ± 30 %	20.0	100K	2.52M	175	220	35	680	350
SU3017220YL□-□□□	22.0 ± 30 %	20.0	100K	2.52M	250	320	30	600	300
SU3017330YL□-□□□	33.0 ± 30 %	20.0	100K	2.52M	430	550	20	470	250
SU3017470YL□-□□□	47.0 ± 30 %	18.0	100K	2.52M	540	670	18	360	210

- 1) . □ : Packaging Information. A : Bulk B : Taping Reel
- 2) . "-□□□":Reference code
- 3) . Inductance Test Freq. : 100KHz / 0.1V
- 4) . Irms base on Temp. rise 30°C typ.
- 5) . Isat base on ΔL / LOA=35% typ.

@ Inductance VS. DC Current Curve :



SPECIFICATION FOR APPROVAL

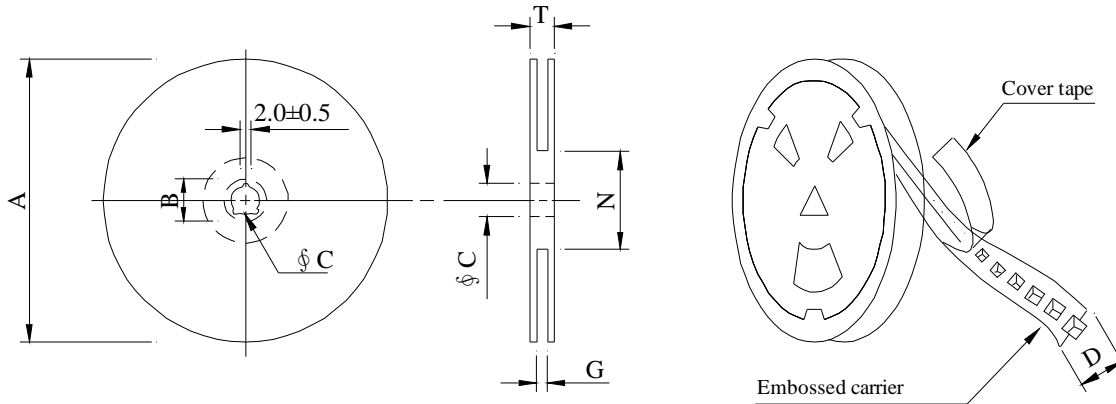
REF: 20080801-A

PAGE: 3

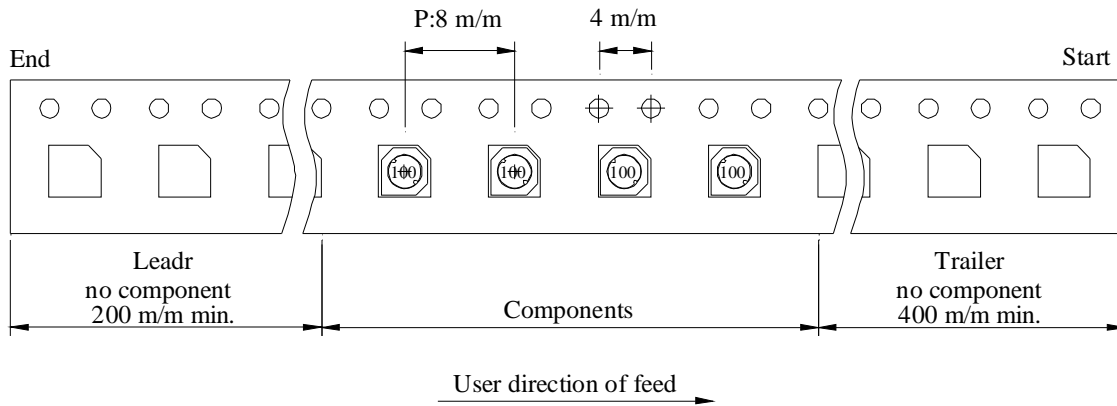
PROD. NAME	SHIELDED SMD POWER INDUCTOR	ABC'S DWG NO.	SU3017□□□□L□-□□□
		ABC'S ITEM NO.	

VI . PACKAGING INFORMATION :

(1) Configuration



※Carrier tape width : D



(2) Dimensions

Unit:m/m

Style	A	B	C	D	G	N	T
07 - 12	178	21±0.8	13	12	14 +0	50 -0	16.5

(3) Q'TY & G.W. Per package

Series	Inner : Reel			Outer : Carton		
	Q'TY (pcs)	G.W. (gw)	Style	Q'TY (pcs)	G.W. (Kg)	Size (cm)
SU3017	800	100	07 - 12	32000	7.00	42 x 41 x 24

AR-001A

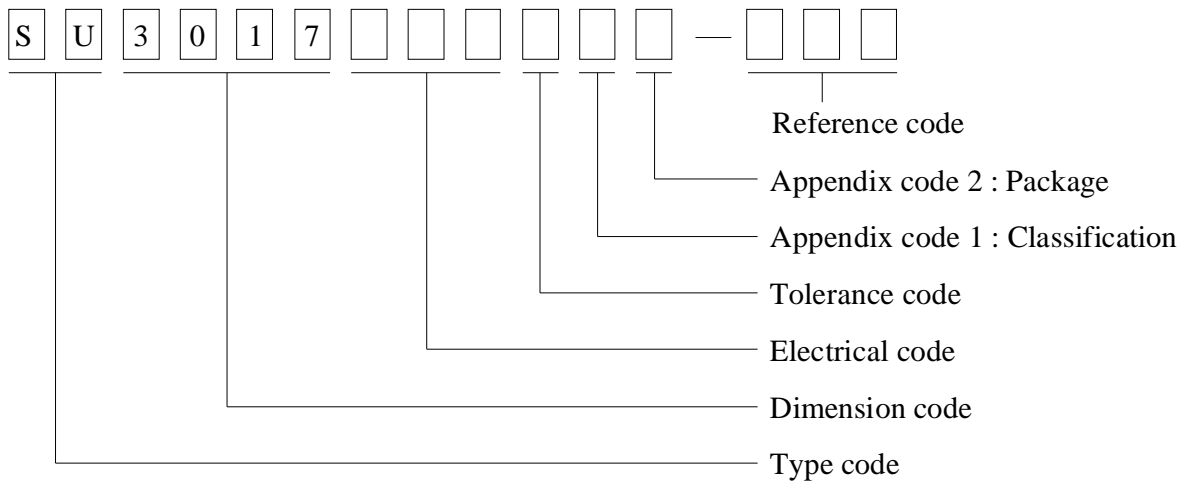
SPECIFICATION FOR APPROVAL

REF: 20080801-A

PAGE: 4

PROD. NAME	SHIELDED SMD POWER INDUCTOR	ABC'S DWG NO.	SU3017□□□□L□-□□□
		ABC'S ITEM NO.	

VII . DWGING NUMBER EXPRESSION :



Appendix code 1 : Product Classification

- L : Lead Free Standard products comply with RoHS' requirements
- 1 ~ 9 : Lead Free Special products comply with RoHS' requirements

Appendix code 2 : Package Information

Code	Inner package	Inner package Q'TY	Remark
A	T.B.D.	T.B.D.	
B	T / R (Reel package)	800 pcs	

SPECIFICATION FOR APPROVAL

REF : 20080801-A

PAGE: 5

PROD. NAME	SHIELDED SMD POWER INDUCTOR	ABC'S DWG NO. ABC'S ITEM NO.	SU3017□□□□L□-□□□
---------------	--------------------------------	---------------------------------	------------------

VIII . RELIABILITY TEST :

Test item	Specification	Test condition						
Solderability	More than 95% of the terminal electrode shall be covered With fresh solder.	Preheat : 155°C / 4 hours. Solder : Sn96.5 / Ag3 / Cu0.5 or equivalent Solder temp. : 235±5°C Flux : Rosin Dip time : 5±0.5 seconds						
Thermal shock test (Temp. cycle)	Electrical oharacteristics shall not change more than ±20%	<table style="width: 100%; border: none;"> <tr> <td style="text-align: center;">Room temp. 15 minutes</td> <td style="text-align: center;">→</td> <td style="text-align: center;">-40 °C 30 minutes</td> </tr> <tr> <td style="text-align: center;">Room temp. 15 minutes</td> <td style="text-align: center;">→</td> <td style="text-align: center;">+105 °C 30 minutes</td> </tr> </table> <p>Total : 50 cycles</p>	Room temp. 15 minutes	→	-40 °C 30 minutes	Room temp. 15 minutes	→	+105 °C 30 minutes
Room temp. 15 minutes		→	-40 °C 30 minutes					
Room temp. 15 minutes		→	+105 °C 30 minutes					
Humidity test		Temperature : 40±2°C Humidity : 90±5% Time : 1000 hours						
High temp. Resistance test	Temperature : 105±5°C Applied current : Per spec. Time : 96 hours							

SPECIFICATION FOR APPROVAL

REF :20080801-A

PAGE: 7

PROD. NAME	SHIELDED SMD POWER INDUCTOR	ABC'S DWG NO.	SU3017□□□□L□-□□□
		ABC'S ITEM NO.	

OBMW2 August 27, 1999

Magnet Wire-Component

ELEKTRISOLA (MALAYSLA) SDN BHD E143312
 IALAN DAMN SATU IANDA BAIK 28750 BENTONG, PAHANG
 DARUL MAKMUR MALAYSIA

Mtl Dsg	Mark Dsg	Coating Type		ANSI Typ	Temp Class
		BC	OC		
Estersol 160	E180	Polyesterimide (solderable)	----	MW-77	180
Amldester200	A200	Polyesterimide	----	MW-74	200
Polysol-N 155	PN155	Polyurethane	Nylon	MW-80, MW-28	155, 100
Polysol 155	P155	Polyurethane	----	MW-79, MW-79	155, 130
Polysol 155g	Pg155	Polyurethane	----	MW-79	130
Polysol 155p	Pp155,Gp155	Polyurethane	----	MW-79	155
Polysol 160	P160	Polyurethane	----	MW-79	155
Polysol 180	P180	Polyurethane	----	MW-79	155
Polysol 170	P170 or G170	Polyurethane	----	MW-79	156
Polysol-N 180	PN180	Polyurethane	Nylon	----	180

Marking : Company name/material designation or marked designation and factory identification on package ok reel

See General Information preceding These Recognitions
 For use only in equipment where the acceptability of the combination is determined by Underwriters Laboratories Inc.

AR-001A

