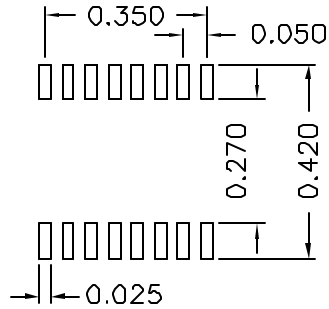
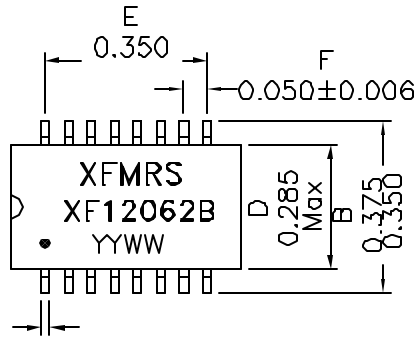
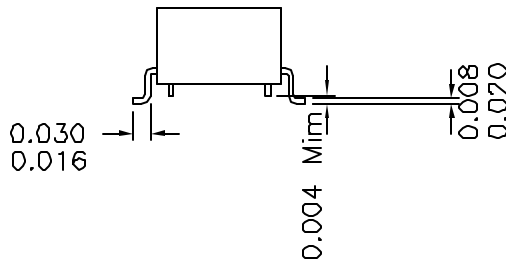
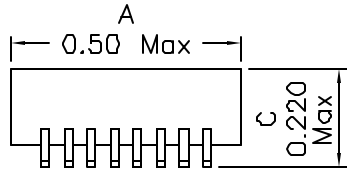


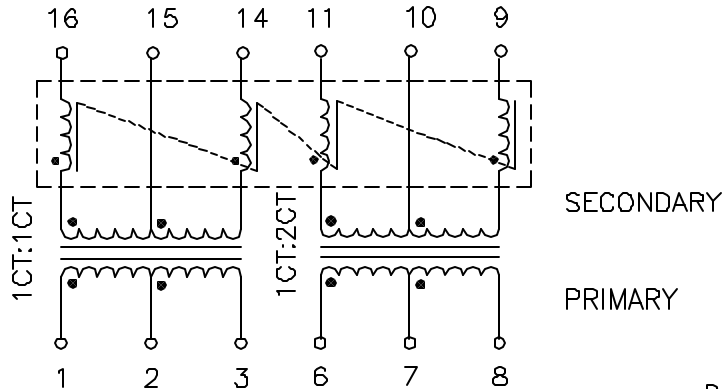
1. Dimensions:



0.018±0.002

SUGGESTED FOOTPRINT

2. Schematic:



DOC. REV A/5

3. Electrical Specifications: @25°C

Isolation Voltage: 1500 Vrms

Turns Ratio: P1-2-3:P16-15-14 1CT:1CT ±5%

Turns Ratio: P6-7-8:P11-10-9 1CT:2CT ±5%

OCL: 1-3 120uH Min. @10KHz 20mV

OCL: 6-8 20uH Min. @10KHz 20mV

Cw/w: 1-3 to 14-16 10pF Max. @100KHz 1V

Cw/w: 6-8 to 11-9 7pF Max. @100KHz 1V

LL: 1-3 0.40uH Max. @500KHz 1V 14-16 Shorted

LL: 6-8 0.20uH Max. @500KHz 1V 11-9 Shorted

DC Res.: 1-3,14-16,6-8,9-11 0.90 Ohms Max.

CHOKE OCL: 30uH Typ. @100KHz 20mV

Notes:

1. Solderability: Leads shall meet MIL-STD-202G, Method 208H for solderability.
2. Flammability: UL94V-0
3. ASTM oxygen index: > 28%
4. Insulation System: Class F 155°C. UL file E151556
5. Operating Temperature Range: All listed parameters are to be within tolerance from -40°C to +85°C
6. Storage Temperature Range: -55°C to +125°C
7. Aqueous wash compatible
8. SMD Lead Coplanarity: ±0.004"(0.102mm)
9. Electrical and mechanical specifications 100% tested
10. RoHS Compliant Component

XFMRs Inc www.XFMRs.com	Title: 10 BASE ISOLATION MAGNETICS	
	P/N: XF12062B	REV. A
UNLESS OTHERWISE SPECIFIED TOLERANCES: .xxx ±0.010 Dimensions in Inch	DWN.	李小锋 Aug-18-06
	CHK.	康玉坤 Aug-18-06
SCALE 2.5:1 SHT 1 OF 2	APP.	MS Aug-18-06