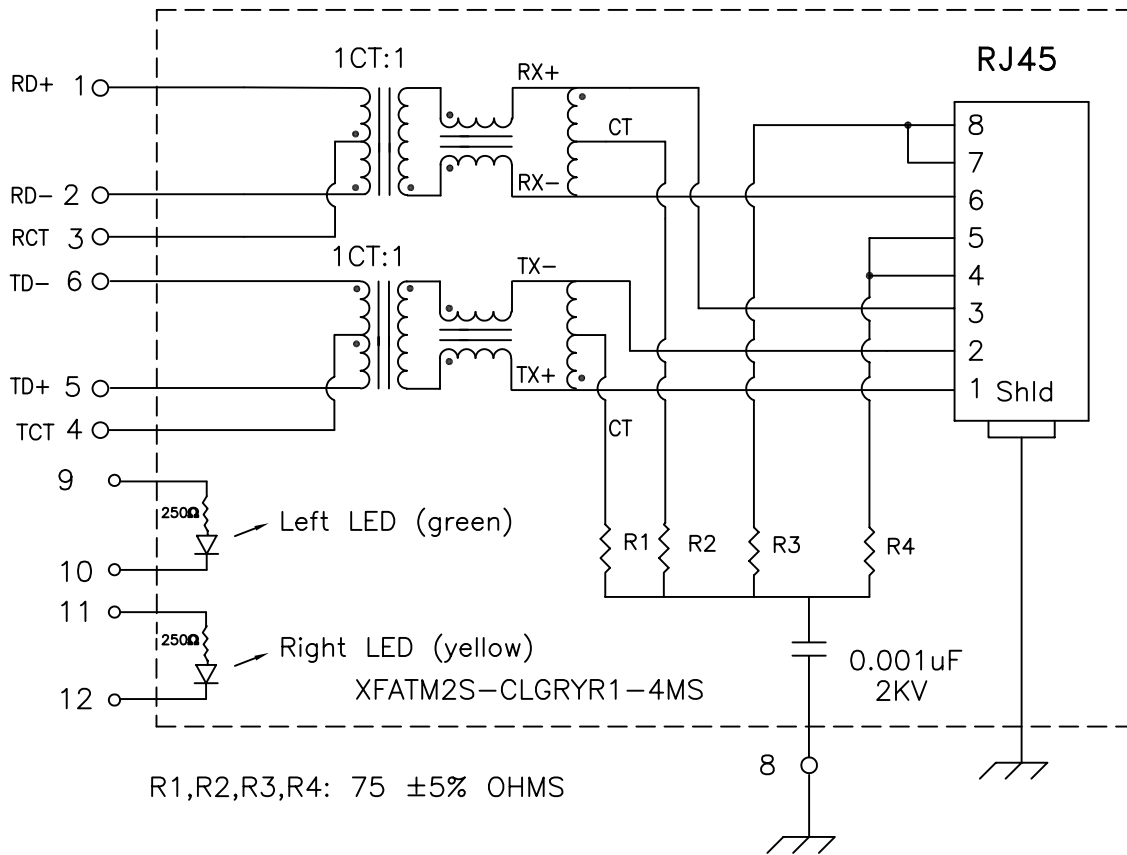


Schematic:



Electrical Specifications: @25°C

Isolation Voltage: 1500 Vrms (INPUT to OUTPUT)

UTP SIDE OCL: 350uH Min @100KHz 100mV 8mADC

Rise Time (10-90%): 2.5ns Typical

Insertion Loss (300KHz-1.0MHz): -1.0dB Maximum

(1.0MHz-15.0MHz): -0.3dB Maximum

(15.0MHz-60.0MHz): -0.6dB Maximum

(60.0MHz-100MHz): -1.1dB Maximum

Return Loss: (300KHz-60.0MHz): -18dB Minimum

(60.0MHz-80MHz): -15dB Minimum

(80.0MHz-100MHz): -12dB Minimum

Crosstalk: (300KHz-60MHz): -43dB Minimum

(60.0MHz-100MHz): -38dB Minimum

Common Mode to Differential Mode Rejection:

300KHz-60MHz -46dB Min (Tx) / -35dB Min (Rx)

60MHz-100MHz -42dB Min (Tx) / -33dB Min (Rx)

Notes:

1. Solderability: Leads shall meet MIL-STD-202, Method 208D for solderability.
2. Flammability: UL94V-0
3. ASTM oxygen index: > 28%
4. Insulation System: Class F 155°C. UL file E151556
5. Operating Temperature Range: -40°C to +85°C

DOC. REV: A/1

PROPRIETARY

Document is the property of XFMRs Group & is not allowed to be duplicated without authorization.

XFMRs Inc.

UNLESS OTHERWISE SPECIFIED

TOLERANCES:

.xxx ±0.010

Dimensions in Inch

SHEET 1 OF 2

Title:

SINGLE PORT COMBO

P/N: XFATM2S-CLGRYR1-4MS

REV. A

DWN.

Kang Chen

Feb-5-04

CHK.

YK Liao

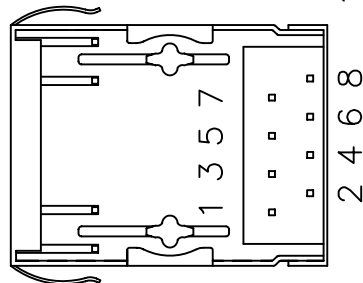
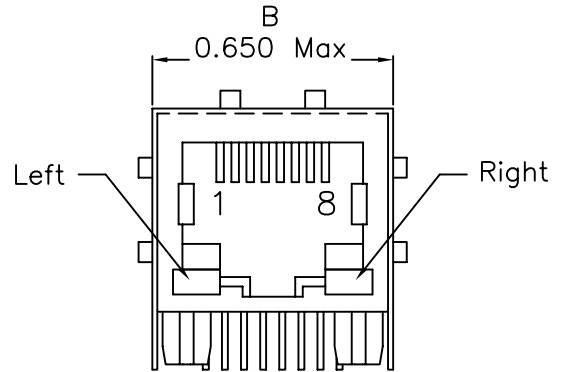
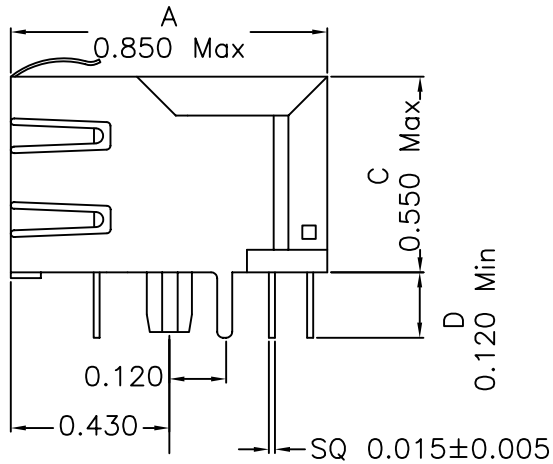
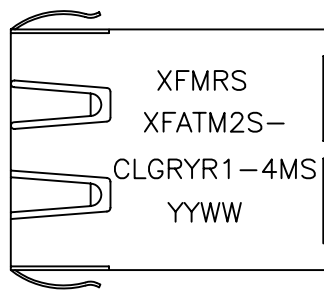
Feb-5-04

APP.

BW

Feb-5-04

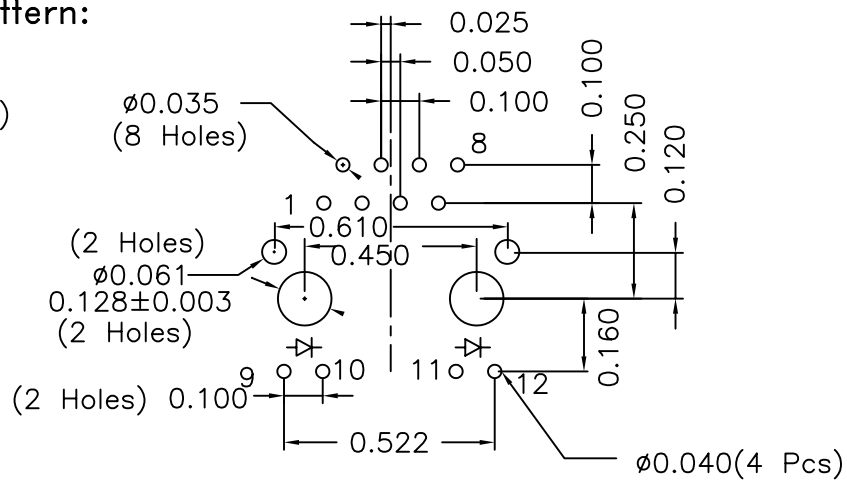
Mechanical Dimensions:



(BOTTOM VIEW)

Mounting Pattern:

(COMP SIDE)



DOC. REV: A/1

PROPRIETARY

Document is the property of XFMRS Group & is not allowed to be duplicated without authorization.

XFMRS Inc.	Title: Mechanical Dimensions For CLxu1-4MS Series		
	UNLESS OTHERWISE SPECIFIED TOLERANCES: .xxx ±0.010 Dimensions in Inch	P/N: XFATM2S-CLGRYR1-4MS	REV. A
SHEET 2 OF 2	DWN.	Kang Chen	Feb-5-04
	CHK.	YK Liao	Feb-5-04
	APP.	BW	Feb-5-04