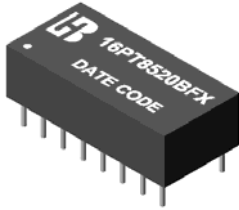


10/100 BASE-T TRANSFORMER

P/N:16PT8520BFX DATA SHEET

Feature

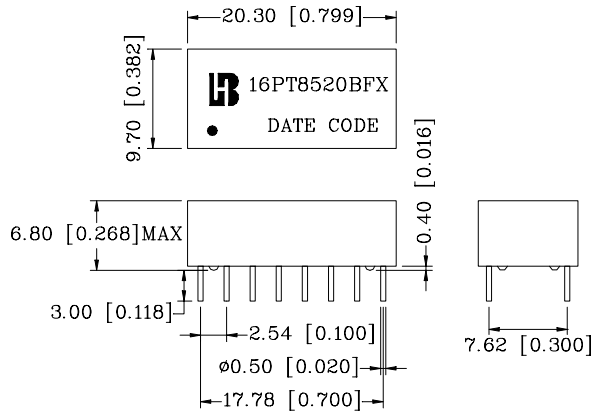
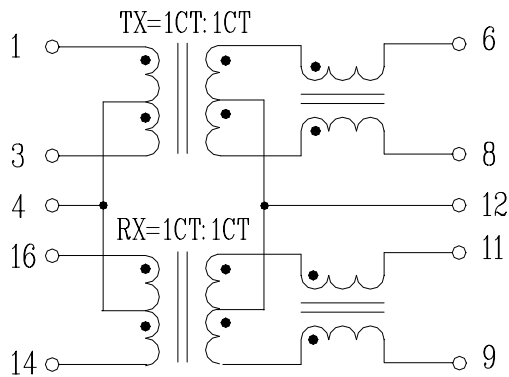


- Designed for 10/100 MB/s transmission over UTP-5 cable.
- Tested & qualified for use with national semiconductor's DP83840 Ethernet 10/100 PHY chip.
- Cable interface for isolation and low common mode emissions.
- 16-PIN DIP package for economic cost.
- Operating Temperature range: 0°C to +70°C.
- Storage temperature range: -25°C to +105°C.

Electrical Specifications @ 25°C										
Part Number	Turns Ratio (±5%) TX/ RX	OCL (uH Min) @ 100KHz/0.1Vrms with 8mA/DC Bias	L.L (uH Max)	C _{www} (pF Max)	PRI DCR (Ω Max)	Hi-POT (Vrms)				
16PT8520BFX	1CT:1CT	350	0.6	50	0.9	1500				
Continue										
Part Number	Insertion Loss (dB Max)	Return Loss (dB Min)				Cross talk (dB Min)		DCMR (dB Min) TX/RX		
		0.3-100 MHz	0.5-30MHz	40MHz	50MHz	60-80MHz	0.3-60MHz	60-100MHz	30MHz	60MHz
16PT8520BFX	-1.1	-16	-15	-13	-11	-45	-35	-40	-30	-25

Schematic

Mechanical



Units: mm[Inches] Tolerances: xx.x0±0.25[0.010]
0.xx±0.05[0.002]