



10/100 BASE-T TRANSFORMER

P/N: 16PT8521AX DATA SHEET

Feature



- Designed to meet IEEE802.3u requirement.
- Symmetrical TX and RX channels for Auto MDI/MDIX capability.
- Operating temperature range:0°C to +70°C .
- Storage temperature range:-25°C to +105°C .

Electrical Specifications @ 25°C

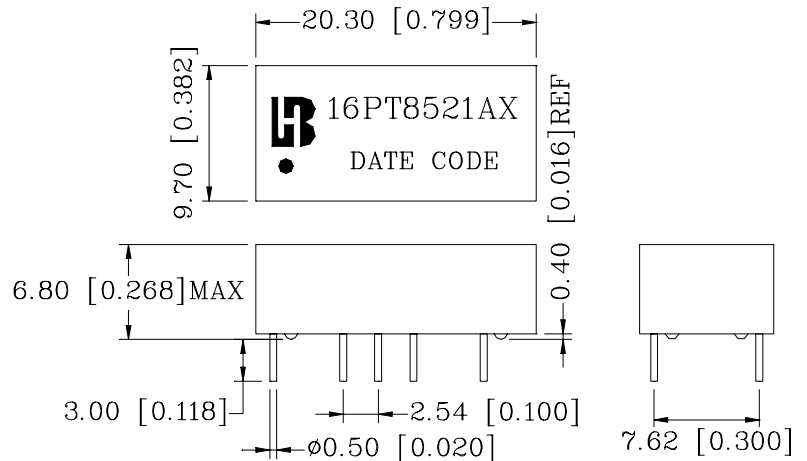
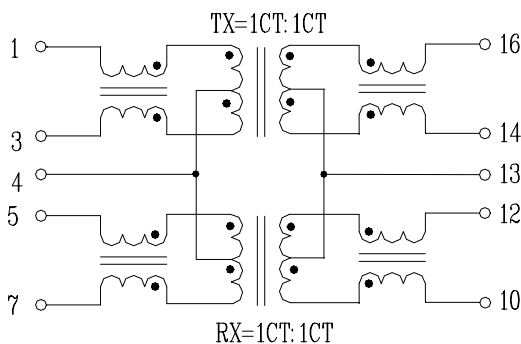
Part Number	Turns Ratio (±5%)		PRI OCL (uH Min) @100KHz/0.1V with 8mA DC Bias	HI-POT (Vrms)
	TX	RX		
16PT8521AX	1CT:1CT	1CT:1CT	350	1500

Continue

Part Number	Insertion Loss (dB Max)	Return Loss (dB Min)				Cross talk (dB Min)	DCMR (dB Min)
	1-100MHz	2-30Mz	40MHz	50MHz	60-80MHz	0.3-100MHz	0.3-100MHz
16PT8521AX	-1.0	-18	-17	-14.5	-12	-35	-30

Schematic

Mechanical



Units: mm[Inches] Tolerances: xx.x0±0.25[0.010]  
0.xx±0.05[0.002]