

Fig. 1

- Series 830 single and double row interconnects have 2mm pin spacing and permit board stacking as low as .322".
- Pin headers (830 & 832 series) use MM #5012 pins. See page 175 for details.
- Sockets (831 & 833 series) use MM #1802 receptacles and accept pin diameters from .015"-.025". See page 140 for details.
- Insulators are high temp. thermoplastic, suitable for all soldering operations.

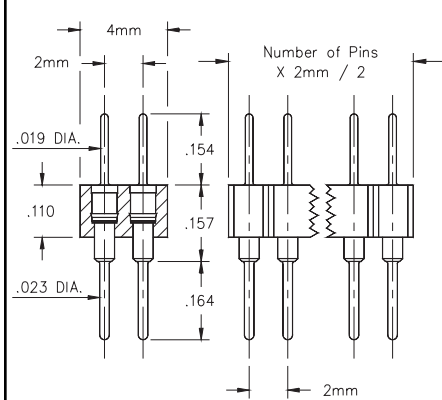
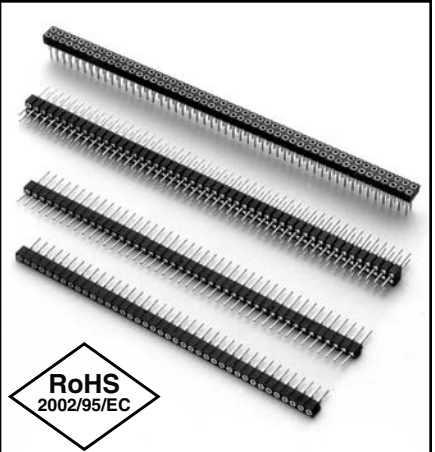


Fig. 2

Ordering Information

Fig. 1

Single Row Pin Header

830-XX-0__-10-001000

Specify # of pins → 01-50

Fig. 2

Double Row Pin Header

832-XX-__-10-001000

Specify # of pins → 002-100

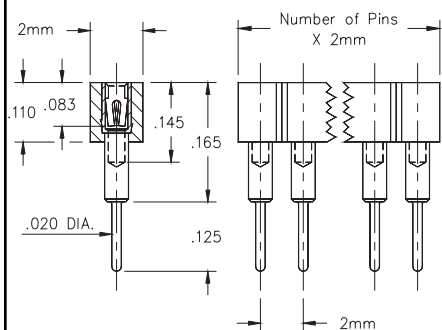


Fig. 3

For Electrical, Mechanical & Environmental Data, See pg. 4

XX=Plating Code See Below

For RoHS compliance select ◇ plating code.

SPECIFY PLATING CODE XX=	10◇	90	40◇	
Pin Plating	10μ" Au	200μ" Sn/Pb	200μ" Sn	

Fig. 3

Single Row Socket

831-XX-0__-10-001000

Specify # of pins → 01-50

Fig. 4

Double Row Socket

833-XX-__-10-001000

Specify # of pins → 002-100

For Electrical, Mechanical & Environmental Data, See pg. 4

XX=Plating Code See Below

For RoHS compliance select ◇ plating code.

SPECIFY PLATING CODE XX=		93		43◇
Sleeve (Pin)		200μ" Sn/Pb		200μ" Sn
Contact (Clip)		30μ" Au		30μ" Au