

BLF6G10-200RN; BLF6G10LS-200RN

Power LDMOS transistor

Rev. 02 — 21 January 2010

Product data sheet

1. Product profile

1.1 General description

200 W LDMOS power transistor for base station applications at frequencies from 700 MHz to 1000 MHz.

Table 1. Typical performance

Typical RF performance at $T_{case} = 25\text{ °C}$ in a class-AB production test circuit.

| Mode of operation | f (MHz) | V_{DS} (V) | $P_{L(AV)}$ (W) | G_p (dB) | η_D (%) | ACPR (dBc) |
|-------------------|------------|-----------------|--------------------|---------------|-----------------|--------------------|
| 2-carrier W-CDMA | 869 to 894 | 28 | 40 | 20 | 28.5 | -39 ^[1] |

[1] Test signal: 3GPP; test model 1; 64 DPCH; PAR = 7.5 dB at 0.01 % probability on CCDF per carrier; carrier spacing 5 MHz.

CAUTION



This device is sensitive to ElectroStatic Discharge (ESD). Therefore care should be taken during transport and handling.

1.2 Features

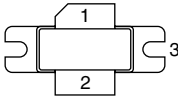
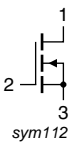
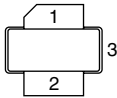
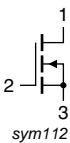
- Typical 2-carrier W-CDMA performance at frequencies of 869 MHz and 894 MHz, a supply voltage of 28 V and an I_{DQ} of 1400 mA:
 - ◆ Average output power = 40 W
 - ◆ Power gain = 20 dB
 - ◆ Efficiency = 28.5 %
 - ◆ ACPR = -39 dBc
- Easy power control
- Integrated ESD protection
- Enhanced ruggedness
- High efficiency
- Excellent thermal stability
- Designed for broadband operation (700 MHz to 1000 MHz)
- Internally matched for ease of use
- Compliant to Directive 2002/95/EC, regarding restriction of hazardous substances (RoHS)

1.3 Applications

- RF power amplifiers for GSM, GSM EDGE, W-CDMA and CDMA base stations and multicarrier applications in the 700 MHz to 1000 MHz frequency range.

2. Pinning information

Table 2. Pinning

| Pin | Description | Simplified outline | Graphic symbol |
|----------------------------------|-------------|--|--|
| BLF6G10-200RN (SOT502A) | | | |
| 1 | drain |  |  sym112 |
| 2 | gate | | |
| 3 | source | | |
| BLF6G10LS-200RN (SOT502B) | | | |
| 1 | drain |  |  sym112 |
| 2 | gate | | |
| 3 | source | | |

[1] Connected to flange.

3. Ordering information

Table 3. Ordering information

| Type number | Package | | |
|-----------------|---------|---|---------|
| | Name | Description | Version |
| BLF6G10-200RN | - | flanged LDMOST ceramic package; 2 mounting holes; 2 leads | SOT502A |
| BLF6G10LS-200RN | - | earless flanged LDMOST ceramic package; 2 leads | SOT502B |

4. Limiting values

Table 4. Limiting values

In accordance with the Absolute Maximum Rating System (IEC 60134).

| Symbol | Parameter | Conditions | Min | Max | Unit |
|-----------|----------------------|------------|------|------|------|
| V_{DS} | drain-source voltage | | - | 65 | V |
| V_{GS} | gate-source voltage | | -0.5 | +13 | V |
| I_D | drain current | | - | 49 | A |
| T_{stg} | storage temperature | | -65 | +150 | °C |
| T_j | junction temperature | | - | 225 | °C |

5. Thermal characteristics

Table 5. Thermal characteristics

| Symbol | Parameter | Conditions | Type | Typ | Unit |
|------------------|--|---|-----------------|------|------|
| $R_{th(j-case)}$ | thermal resistance from junction to case | $T_{case} = 80\text{ °C};$ $P_L = 40\text{ W}$ | BLF6G10-200RN | 0.50 | K/W |
| | | | BLF6G10LS-200RN | 0.35 | K/W |

6. Characteristics

Table 6. Characteristics

$T_j = 25\text{ °C}$ unless otherwise specified.

| Symbol | Parameter | Conditions | Min | Typ | Max | Unit |
|---------------|----------------------------------|--|-------|------|-------|---------------|
| $V_{(BR)DSS}$ | drain-source breakdown voltage | $V_{GS} = 0\text{ V}; I_D = 0.9\text{ mA}$ | 65 | - | - | V |
| $V_{GS(th)}$ | gate-source threshold voltage | $V_{DS} = 10\text{ V}; I_D = 270\text{ mA}$ | 1.4 | 2.0 | 2.4 | V |
| V_{GSq} | gate-source quiescent voltage | $V_{DS} = 28\text{ V};$ $I_D = 1620\text{ mA}$ | 1.7 | 2.2 | 2.7 | V |
| I_{DSS} | drain leakage current | $V_{GS} = 0\text{ V}; V_{DS} = 28\text{ V}$ | - | - | 4.2 | μA |
| I_{DSX} | drain cut-off current | $V_{GS} = V_{GS(th)} + 3.75\text{ V};$ $V_{DS} = 10\text{ V}$ | 40 | 48 | - | A |
| I_{GSS} | gate leakage current | $V_{GS} = 11\text{ V}; V_{DS} = 0\text{ V}$ | - | - | 420 | nA |
| g_{fs} | forward transconductance | $V_{DS} = 10\text{ V}; I_D = 9.45\text{ A}$ | 11 | 18 | 26 | S |
| $R_{DS(on)}$ | drain-source on-state resistance | $V_{GS} = V_{GS(th)} + 3.75\text{ V};$ $I_D = 9.45\text{ A}$ | 0.012 | 0.07 | 0.093 | Ω |
| C_{rs} | feedback capacitance | $V_{GS} = 0\text{ V}; V_{DS} = 28\text{ V};$ $f = 1\text{ MHz}$ | - | 3 | - | pF |

7. Application information

Table 7. Application information

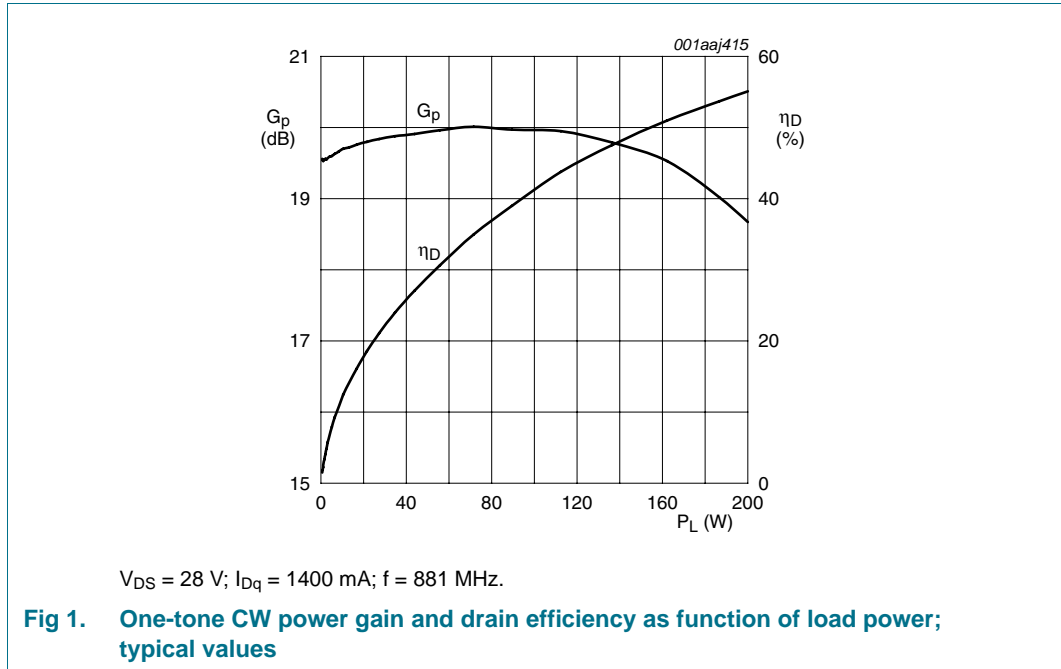
Mode of operation: 2-carrier W-CDMA; PAR 7.5 dB at 0.01 % probability on CCDF; 3GPP test model 1; 1-64 PDPCH; $f_1 = 871.5\text{ MHz}; f_2 = 876.5\text{ MHz}; f_3 = 886.5\text{ MHz}; f_4 = 891.5\text{ MHz};$ RF performance at $V_{DS} = 28\text{ V}; I_{Dq} = 1400\text{ mA}; T_{case} = 25\text{ °C};$ unless otherwise specified; in a class-AB production test circuit.

| Symbol | Parameter | Conditions | Min | Typ | Max | Unit |
|-------------|------------------------------|---------------------------|-----|-------|------|------|
| $P_{L(AV)}$ | average output power | | - | 40 | - | W |
| G_p | power gain | $P_{L(AV)} = 40\text{ W}$ | 19 | 20 | - | dB |
| IRL | input return loss | $P_{L(AV)} = 40\text{ W}$ | - | -6.4 | -4.5 | dB |
| η_D | drain efficiency | $P_{L(AV)} = 40\text{ W}$ | 25 | 28.5 | - | % |
| ACPR | adjacent channel power ratio | $P_{L(AV)} = 40\text{ W}$ | - | -39.4 | -36 | dBc |

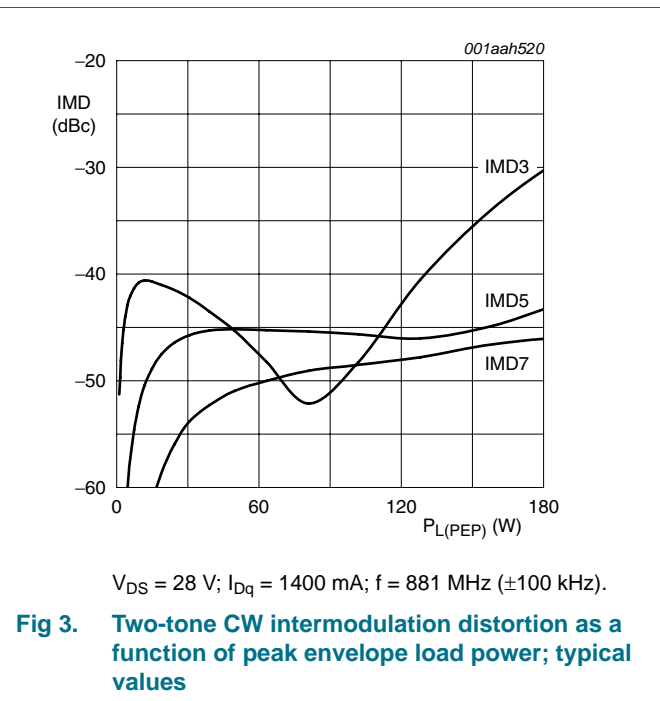
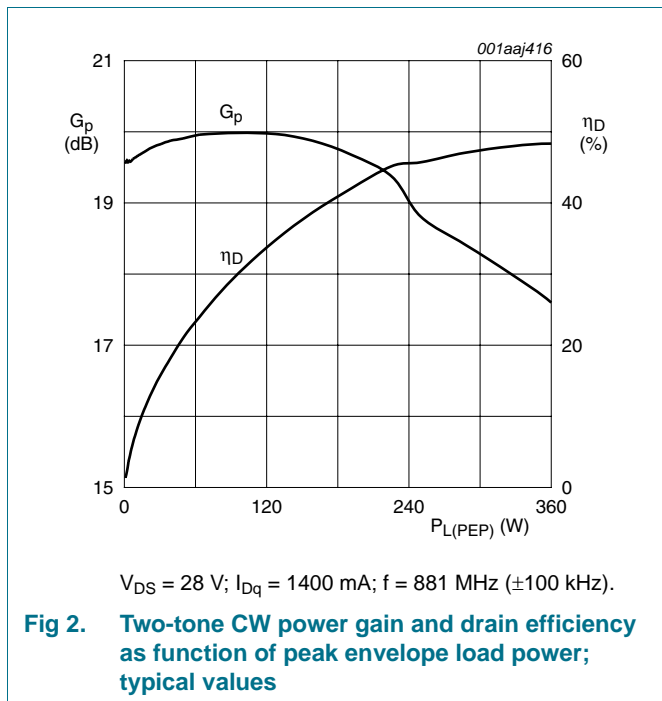
7.1 Ruggedness in class-AB operation

The BLF6G10-200RN and BLF6G10LS-200RN are enhanced rugged devices and are capable of withstanding a load mismatch corresponding to $VSWR = 10 : 1$ through all phases under the following conditions: $V_{DS} = 28\text{ V}; I_{Dq} = 1400\text{ mA}; P_L = 200\text{ W};$ $f = 894\text{ MHz}.$

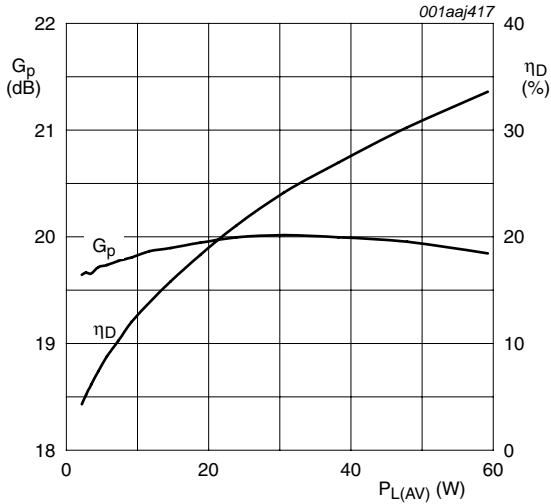
7.2 One-tone CW



7.3 Two-tone CW

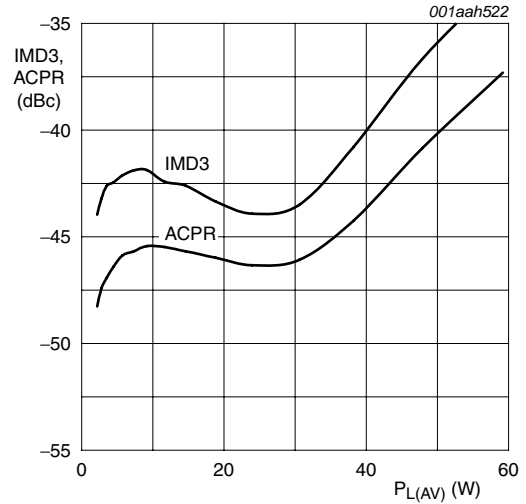


7.4 2-carrier W-CDMA



$V_{DS} = 28\text{ V}$; $I_{DQ} = 1400\text{ mA}$; $f = 881\text{ MHz}$ ($\pm 5\text{ MHz}$);
carrier spacing 10 MHz.

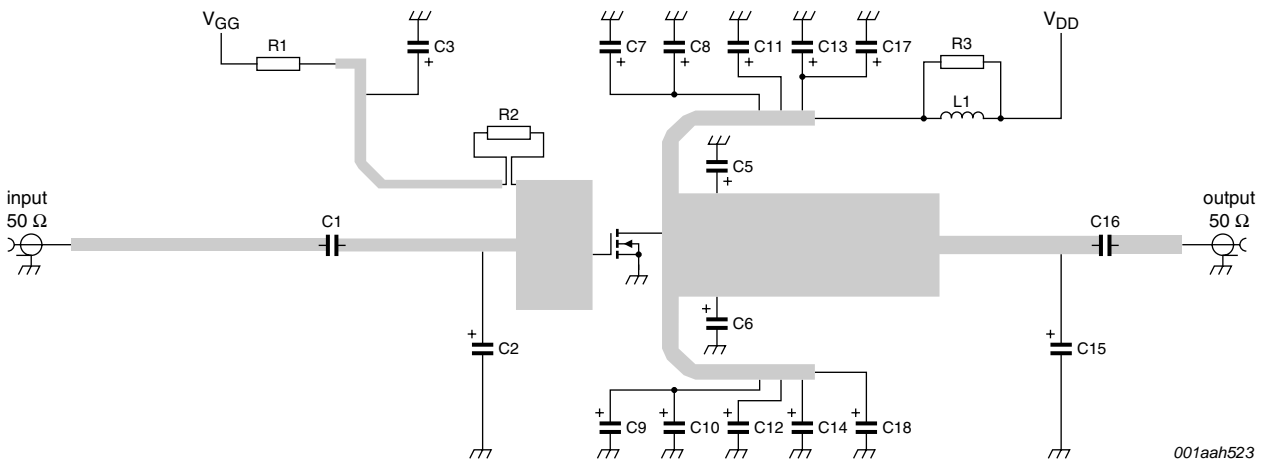
Fig 4. 2-carrier W-CDMA power gain and drain efficiency as function of average load power; typical values



$V_{DS} = 28\text{ V}$; $I_{DQ} = 1400\text{ mA}$; $f = 881\text{ MHz}$ ($\pm 5\text{ MHz}$);
carrier spacing 10 MHz.

Fig 5. 2-carrier W-CDMA adjacent channel power ratio and third order intermodulation distortion as function of average load power; typical values

8. Test information



The drawing is not to scale.

Fig 6. Test circuit for operation at 800 MHz

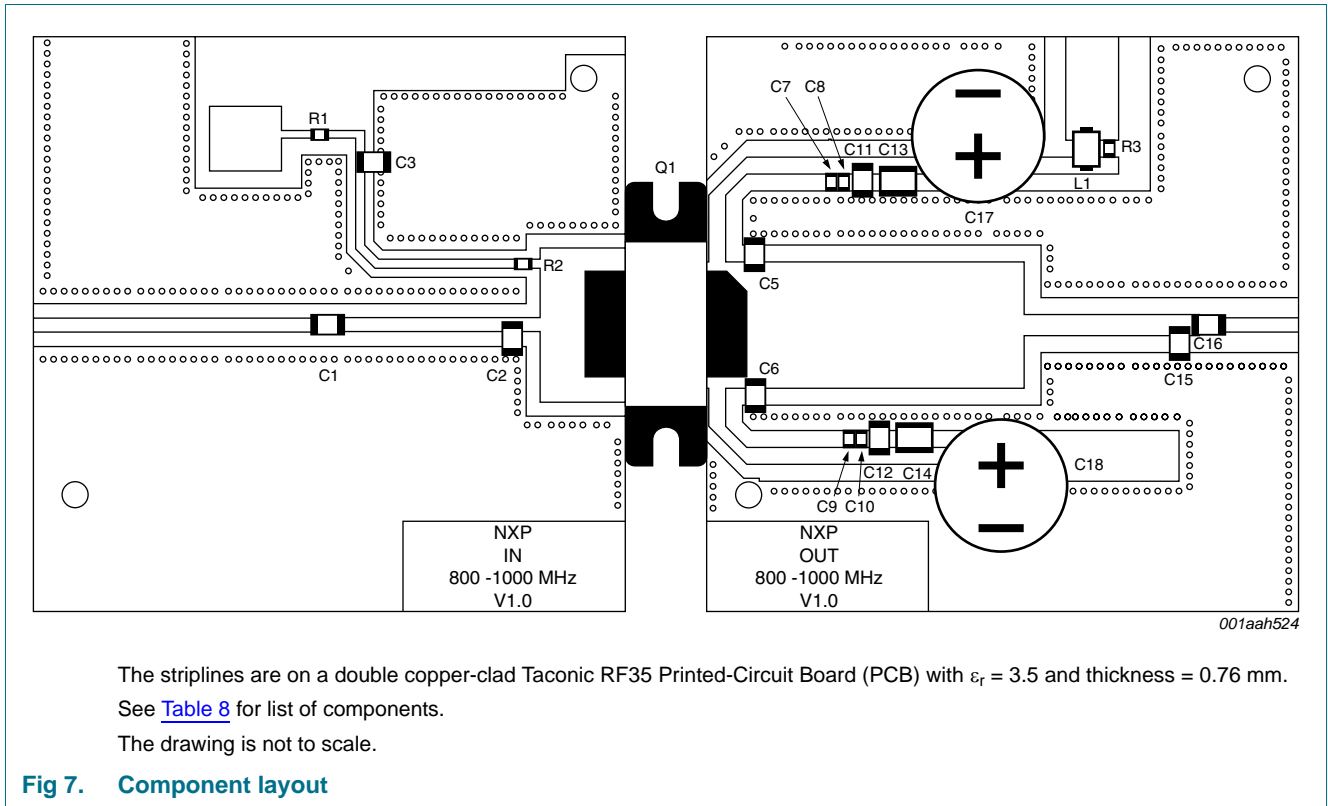


Table 8. List of components

See [Figure 6](#) and [Figure 7](#).

| Component | Description | Value | Remarks |
|-----------------------|-----------------------------------|----------------------|--|
| C1, C3, C11, C12, C16 | multilayer ceramic chip capacitor | 68 pF | [1] solder vertically |
| C2 | multilayer ceramic chip capacitor | 13 pF | [1] solder vertically |
| C5, C6 | multilayer ceramic chip capacitor | 10 pF | [1] solder vertically |
| C7, C8, C9, C10 | electrolytic capacitor | 220 nF | Vishay VJ1206Y224KXB |
| C13, C14 | multilayer ceramic chip capacitor | 4.7 μ F; 50 V | [2] |
| C15 | multilayer ceramic chip capacitor | 1.5 pF | [1] solder vertically |
| C17, C18 | electrolytic capacitor | 220 μ F; 63 V | |
| L1 | ferrite SMD bead | - | Ferroxcube BDS 3/3/4.6-4S2 or equivalent |
| Q1 | BLF6G10LS-200RN | - | |
| R1, R2, R3 | SMD resistor | 9.1 Ω ; 0.1 W | |

[1] American Technical Ceramics type 100B or capacitor of same quality.

[2] TDK or capacitor of same quality.

9. Package outline

Flanged LDMOST ceramic package; 2 mounting holes; 2 leads

SOT502A

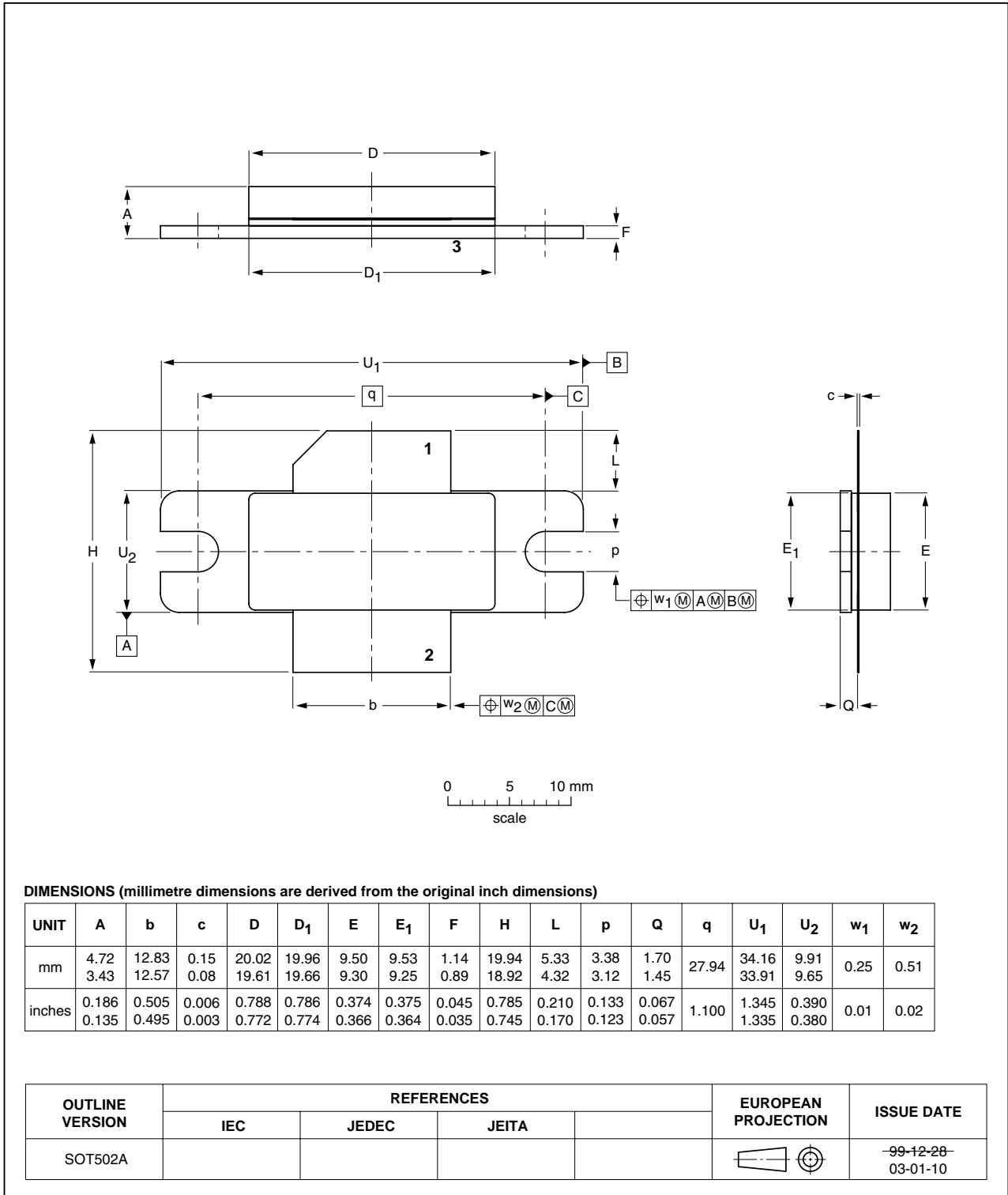


Fig 8. Package outline SOT502A

Earless flanged LDMOST ceramic package; 2 leads

SOT502B

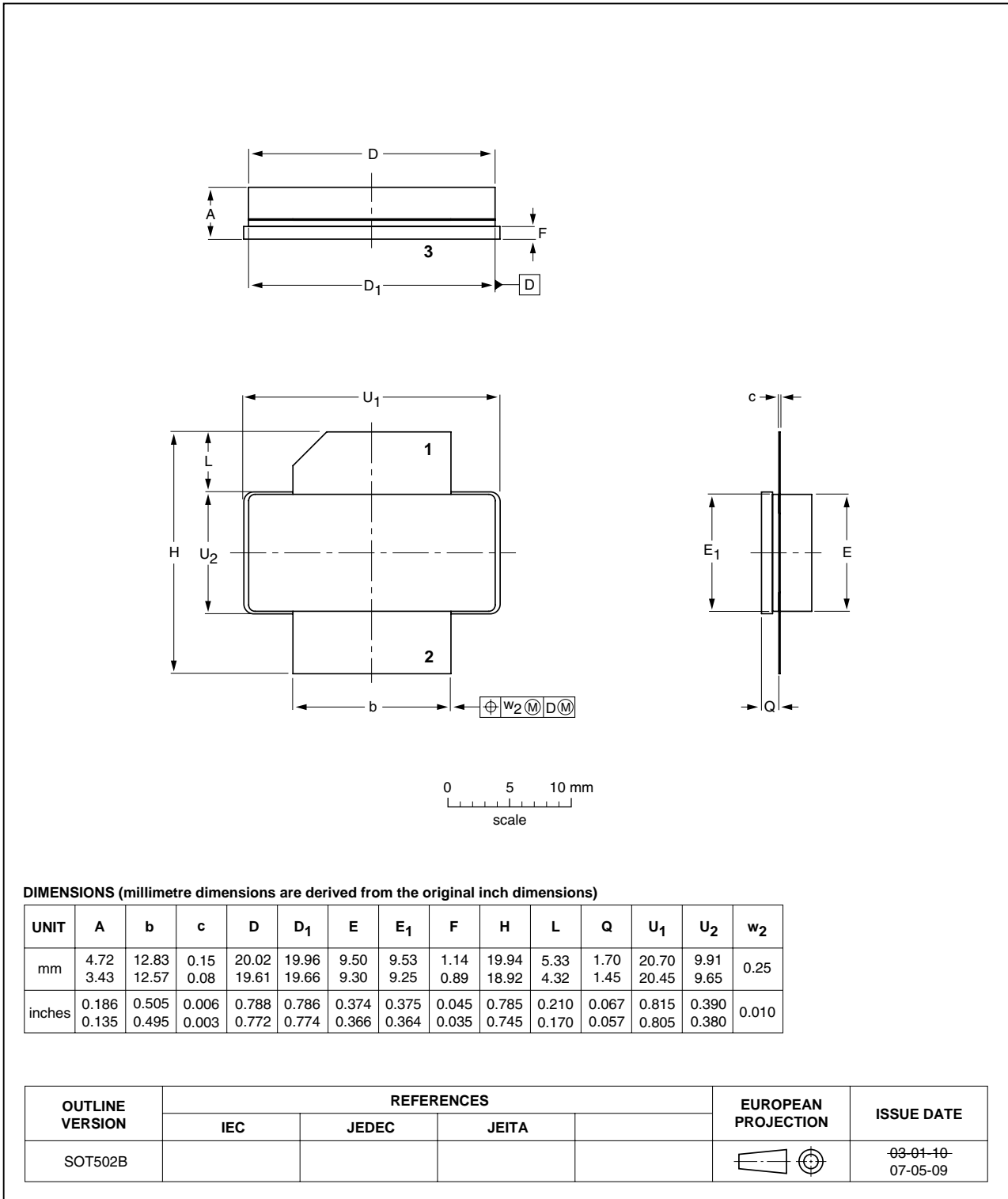


Fig 9. Package outline SOT502B

10. Abbreviations

Table 9. Abbreviations

| Acronym | Description |
|---------|---|
| 3GPP | Third Generation Partnership Project |
| CCDF | Complementary Cumulative Distribution Function |
| CDMA | Code Division Multiple Access |
| CW | Continuous Wave |
| DPCH | Dedicated Physical CHannel |
| EDGE | Enhanced Data rates for GSM Evolution |
| GSM | Global System for Mobile communications |
| LDMOS | Laterally Diffused Metal-Oxide Semiconductor |
| LDMOST | Laterally Diffused Metal-Oxide Semiconductor Transistor |
| PAR | Peak-to-Average power Ratio |
| PDPCH | transmission Power of the Dedicated Physical CHannel |
| RF | Radio Frequency |
| SMD | Surface Mounted Device |
| VSWR | Voltage Standing-Wave Ratio |
| W-CDMA | Wideband Code Division Multiple Access |

11. Revision history

Table 10. Revision history

| Document ID | Release date | Data sheet status | Change notice | Supersedes |
|----------------------------|--------------|--------------------|---------------|--|
| BLF6G10-200RN_10LS-200RN_2 | 20100121 | Product data sheet | - | BLF6G10-200RN_10LS-200RN_1 |
| Modifications | | | | |
| | | | | <ul style="list-style-type: none"> • Section 1.1 "General description" lower frequency range changed to 700 MHz. • Section 1.2 "Features" lower frequency range changed to 700 MHz. • Section 1.3 "Applications" lower frequency range changed to 700 MHz. • Section 12 "Legal information" export control disclaimer added. |
| BLF6G10-200RN_10LS-200RN_1 | 20090119 | Product data sheet | - | - |

12. Legal information

12.1 Data sheet status

| Document status ^{[1][2]} | Product status ^[3] | Definition |
|-----------------------------------|-------------------------------|---|
| Objective [short] data sheet | Development | This document contains data from the objective specification for product development. |
| Preliminary [short] data sheet | Qualification | This document contains data from the preliminary specification. |
| Product [short] data sheet | Production | This document contains the product specification. |

[1] Please consult the most recently issued document before initiating or completing a design.

[2] The term 'short data sheet' is explained in section "Definitions".

[3] The product status of device(s) described in this document may have changed since this document was published and may differ in case of multiple devices. The latest product status information is available on the Internet at URL <http://www.nxp.com>.

12.2 Definitions

Draft — The document is a draft version only. The content is still under internal review and subject to formal approval, which may result in modifications or additions. NXP Semiconductors does not give any representations or warranties as to the accuracy or completeness of information included herein and shall have no liability for the consequences of use of such information.

Short data sheet — A short data sheet is an extract from a full data sheet with the same product type number(s) and title. A short data sheet is intended for quick reference only and should not be relied upon to contain detailed and full information. For detailed and full information see the relevant full data sheet, which is available on request via the local NXP Semiconductors sales office. In case of any inconsistency or conflict with the short data sheet, the full data sheet shall prevail.

12.3 Disclaimers

General — Information in this document is believed to be accurate and reliable. However, NXP Semiconductors does not give any representations or warranties, expressed or implied, as to the accuracy or completeness of such information and shall have no liability for the consequences of use of such information.

Right to make changes — NXP Semiconductors reserves the right to make changes to information published in this document, including without limitation specifications and product descriptions, at any time and without notice. This document supersedes and replaces all information supplied prior to the publication hereof.

Suitability for use — NXP Semiconductors products are not designed, authorized or warranted to be suitable for use in medical, military, aircraft, space or life support equipment, nor in applications where failure or malfunction of an NXP Semiconductors product can reasonably be expected to result in personal injury, death or severe property or environmental

damage. NXP Semiconductors accepts no liability for inclusion and/or use of NXP Semiconductors products in such equipment or applications and therefore such inclusion and/or use is at the customer's own risk.

Applications — Applications that are described herein for any of these products are for illustrative purposes only. NXP Semiconductors makes no representation or warranty that such applications will be suitable for the specified use without further testing or modification.

Limiting values — Stress above one or more limiting values (as defined in the Absolute Maximum Ratings System of IEC 60134) may cause permanent damage to the device. Limiting values are stress ratings only and operation of the device at these or any other conditions above those given in the Characteristics sections of this document is not implied. Exposure to limiting values for extended periods may affect device reliability.

Terms and conditions of sale — NXP Semiconductors products are sold subject to the general terms and conditions of commercial sale, as published at <http://www.nxp.com/profile/terms>, including those pertaining to warranty, intellectual property rights infringement and limitation of liability, unless explicitly otherwise agreed to in writing by NXP Semiconductors. In case of any inconsistency or conflict between information in this document and such terms and conditions, the latter will prevail.

No offer to sell or license — Nothing in this document may be interpreted or construed as an offer to sell products that is open for acceptance or the grant, conveyance or implication of any license under any copyrights, patents or other industrial or intellectual property rights.

Export control — This document as well as the item(s) described herein may be subject to export control regulations. Export might require a prior authorization from national authorities.

12.4 Trademarks

Notice: All referenced brands, product names, service names and trademarks are the property of their respective owners.

13. Contact information

For more information, please visit: <http://www.nxp.com>

For sales office addresses, please send an email to: salesaddresses@nxp.com

14. Contents

| | | |
|-----------|--|-----------|
| 1 | Product profile | 1 |
| 1.1 | General description | 1 |
| 1.2 | Features | 1 |
| 1.3 | Applications | 2 |
| 2 | Pinning information | 2 |
| 3 | Ordering information | 2 |
| 4 | Limiting values | 2 |
| 5 | Thermal characteristics | 3 |
| 6 | Characteristics | 3 |
| 7 | Application information | 3 |
| 7.1 | Ruggedness in class-AB operation | 3 |
| 7.2 | One-tone CW | 4 |
| 7.3 | Two-tone CW | 4 |
| 7.4 | 2-carrier W-CDMA | 5 |
| 8 | Test information | 5 |
| 9 | Package outline | 7 |
| 10 | Abbreviations | 9 |
| 11 | Revision history | 9 |
| 12 | Legal information | 10 |
| 12.1 | Data sheet status | 10 |
| 12.2 | Definitions | 10 |
| 12.3 | Disclaimers | 10 |
| 12.4 | Trademarks | 10 |
| 13 | Contact information | 10 |
| 14 | Contents | 11 |

Please be aware that important notices concerning this document and the product(s) described herein, have been included in section 'Legal information'.



© NXP B.V. 2010.

All rights reserved.

For more information, please visit: <http://www.nxp.com>

For sales office addresses, please send an email to: salesaddresses@nxp.com

Date of release: 21 January 2010

Document identifier: BLF6G10-200RN_10LS-200RN_2