

SMD INDUCTOR DR331-4 SERIES

Features

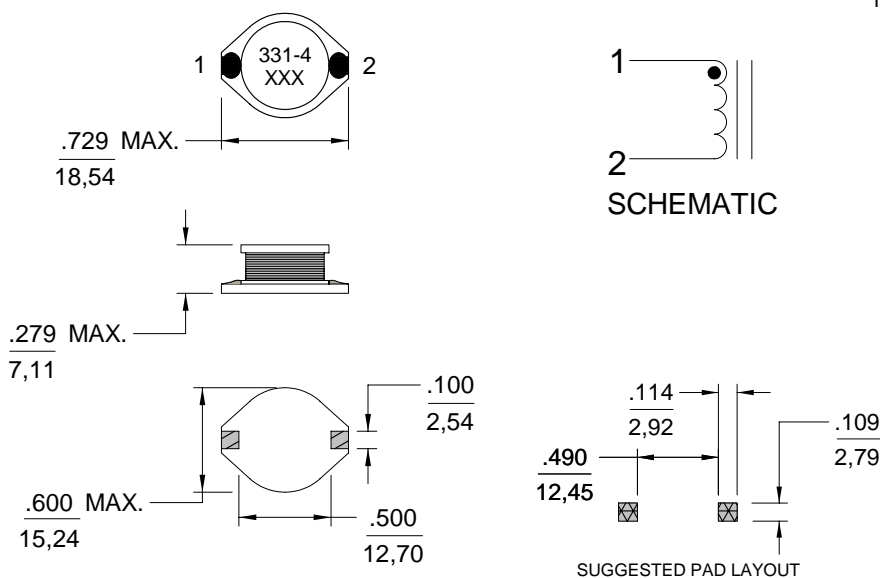
- Low Profile Surface Mount Design
- Inductance Range from 1.0 μ H to 1000 μ H
- Operating Temp. -40°C to +85°C
- Tinned Leads with Leaded Solder is Available (note 6)



ELECTRICAL SPECIFICATIONS 25°C

| Part No. | Inductance (μ H) $\pm 20\%$ | DCR (Ω) Max. | I rms (A) Max. (Note 3) | I sat (A) Max. (Note 2) | SRF (MHz) REF. |
|-------------|-------------------------------------|--------------------------|----------------------------|----------------------------|-------------------|
| DR331-4-102 | 1 | 0.009 | 8.6 | 20 | 80 |
| DR331-4-222 | 2.2 | 0.014 | 7.1 | 16 | 80 |
| DR331-4-332 | 3.3 | 0.018 | 6.2 | 14 | 60 |
| DR331-4-562 | 5.6 | 0.020 | 5.3 | 12 | 40 |
| DR331-4-103 | 10 | 0.031 | 4.3 | 10 | 30 |
| DR331-4-153 | 15 | 0.036 | 4 | 8 | 22 |
| DR331-4-223 | 22 | 0.047 | 3.5 | 7 | 20 |
| DR331-4-333 | 33 | 0.066 | 3 | 5.5 | 15 |
| DR331-4-473 | 47 | 0.086 | 2.6 | 4.5 | 9.0 |
| DR331-4-683 | 68 | 0.13 | 2.3 | 3.5 | 8.0 |
| DR331-4-104 | 100 | 0.19 | 1.8 | 3 | 7.0 |
| DR331-4-154 | 150 | 0.25 | 1.5 | 2.6 | 6.0 |
| DR331-4-224 | 220 | 0.38 | 1.2 | 2.4 | 5.0 |
| DR331-4-334 | 330 | 0.56 | 1.0 | 1.9 | 4.0 |
| DR331-4-474 | 470 | 0.85 | 0.82 | 1.4 | 3.0 |
| DR331-4-684 | 680 | 1.1 | 0.72 | 1.2 | 2.5 |
| DR331-4-105 | 1000 | 1.8 | 0.56 | 1.0 | 2.0 |

MECHANICAL SPECIFICATIONS



NOTES:

1. Dimensions are shown in inches/millimeters
Unless otherwise specified, tolerance
= Inches: ± 0.010
= Millimeters: $\pm 0,25$
2. Isat based on the inductance being 90% of its initial value
3. I rms based on temperature rise of 40°C
4. Tape & Reel Packaging, 400 pcs / reel.
5. Inductance tested at 0.1 Vrms @ 100 kHz
6. For non-RoHS parts replace DR prefix with 42- (e.g. DR331-4 becomes 42-331-4)
7. Terminal finish is compliant to RoHS requirements. Solder in accordance with J-STD-020C.