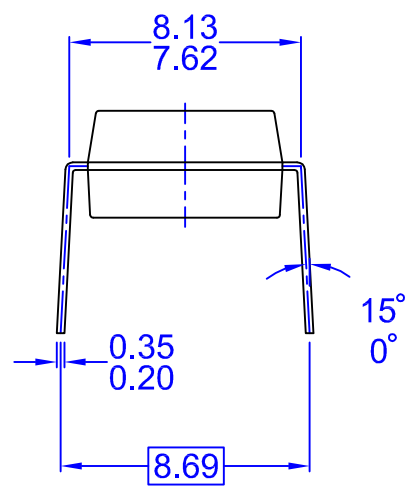
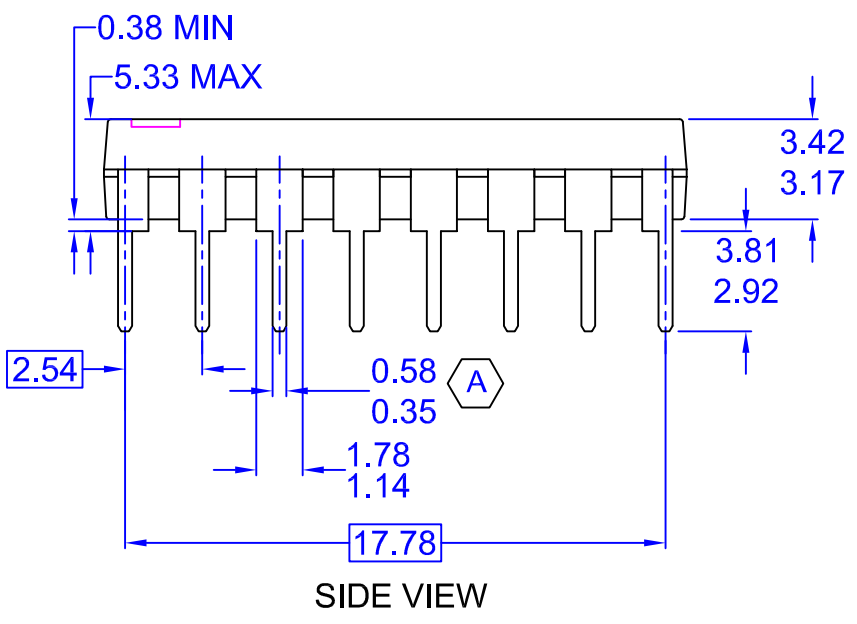
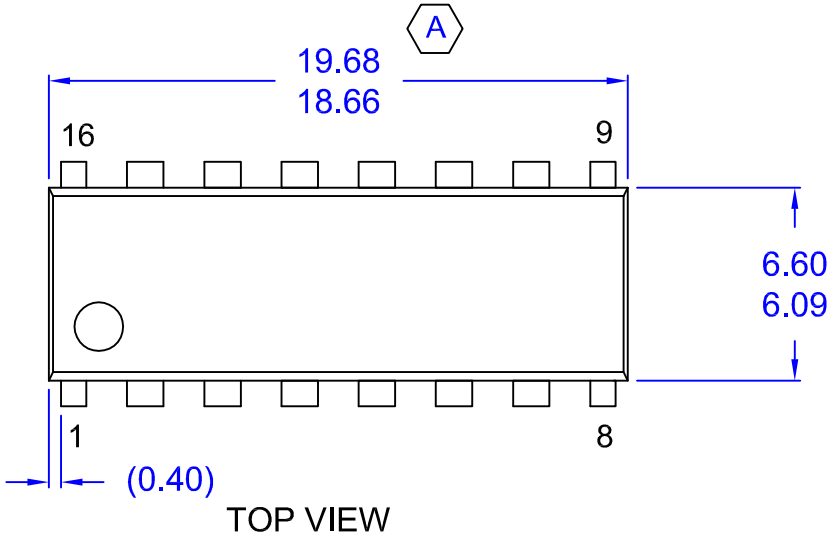


REVISIONS

LTR	DESCRIPTION	DATE	BY/APP'D
1	BODY LENGTH, LEADSPREAD, TERMINAL THICKNESS, TERMINAL LENGTH CHANGED	27 JULY 07	L.HUEBENER



NOTES: UNLESS OTHERWISE SPECIFIED

- A**) THIS PACKAGE CONFORMS TO JEDEC MS-001 VARIATION BB
- B**) ALL DIMENSIONS ARE IN MILLIMETERS.
- C**) DIMENSIONS ARE EXCLUSIVE OF BURRS, MOLD FLASH, AND TIE BAR PROTRUSIONS
- D**) CONFORMS TO ASME Y14.5M-1994
- E**) DRAWING FILE NAME: N16EREV1

APPROVALS		DATE		
DRAWN: L.HUEBENER		27 JULY 07		
CHECKED: H.ALLEN		3 AUG 07		
APPROVED:				
			16LD, MDIP, JEDEC MS-001, .300" WIDE	
			SCALE 1:1	SIZE NA
FORMERLY: N/A			SHEET: 1 OF 1	