

Silicon NPN Power Transistors

2SD2348

DESCRIPTION

- With TO-3P(H)IS package
- Built-in damper diode
- High voltage ,high speed
- Low saturation voltage

APPLICATIONS

- Horizontal deflection output for color TV

PINNING

PIN	DESCRIPTION
1	Base
2	Collector
3	Emitter

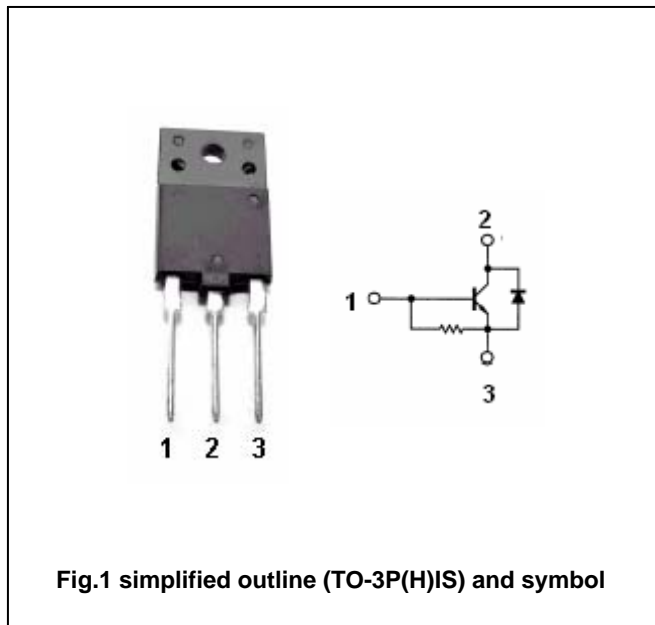


Fig.1 simplified outline (TO-3P(H)IS) and symbol

Absolute maximum ratings (Ta=25°C)

SYMBOL	PARAMETER	CONDITIONS	VALUE	UNIT
V_{CBO}	Collector-base voltage	Open emitter	1500	V
V_{CEO}	Collector-emitter voltage	Open base	600	
V_{EBO}	Emitter-base voltage	Open collector	5	V
I_C	Collector current		± 8	A
I_{CM}	Collector current-peak		± 16	A
I_B	Base current		4	A
P_C	Collector power dissipation	$T_C=25^\circ C$	50	W
T_j	Junction temperature		150	$^\circ C$
T_{stg}	Storage temperature		-55~150	$^\circ C$

Silicon NPN Power Transistors

2SD2348

CHARACTERISTICS

T_j=25°C unless otherwise specified

SYMBOL	PARAMETER	CONDITIONS	MIN	TYP.	MAX	UNIT
V _{(BR)EBO}	Emitter-base breakdown voltage	I _E =300mA, I _C =0	5			V
V _{CEsat}	Collector-emitter saturation voltage	I _C =6A; I _B =1.2A			5.0	V
V _{BEsat}	Base-emitter saturation voltage	I _C =6A; I _B =1.2A			1.5	V
I _{CBO}	Collector cut-off current	V _{CB} =1500V; I _E =0			1	mA
I _{EBO}	Emitter cut-off current	V _{EB} =5V; I _C =0	83		250	mA
h _{FE-1}	DC current gain	I _C =1A; V _{CE} =5V	10			
h _{FE-2}	DC current gain	I _C =6A; V _{CE} =5V	6		9	
f _T	Transition frequency	I _C =0.1A; V _{CE} =10V	1	3		MHz
C _{OB}	Collector output capacitance	I _E =0; V _{CB} =10V; f=1MHz		170		pF
V _F	Diode forward voltage	I _F =6A			1.8	V
t _s	Storage time	I _{CP} =6A; I _{B1} =1.2A; f _H =15.75kHz			12	μs
t _f	Fall time				0.7	μs

Silicon NPN Power Transistors

2SD2348

PACKAGE OUTLINE

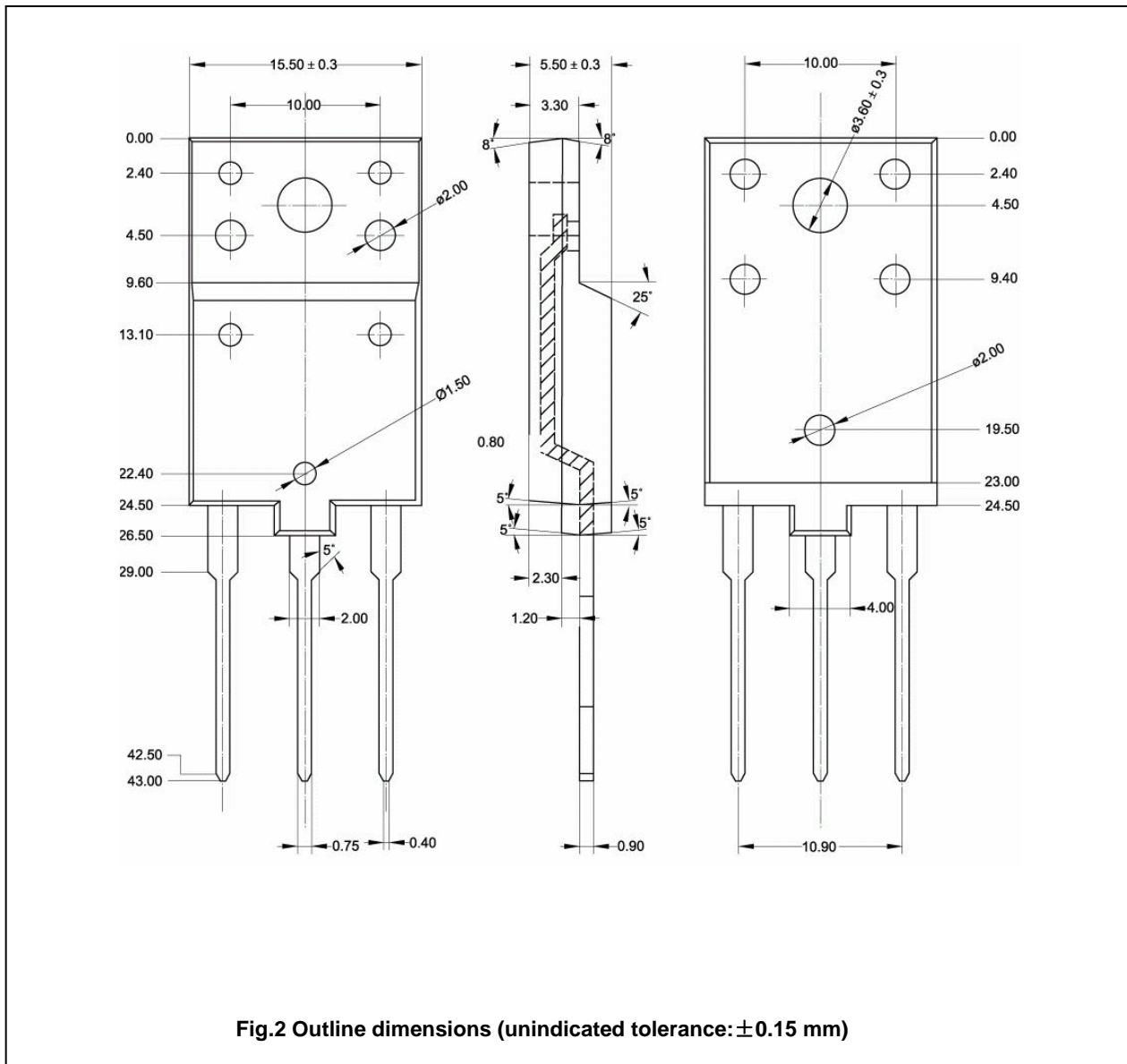


Fig.2 Outline dimensions (unindicated tolerance: ± 0.15 mm)