

Power Supply Cord with Euro- Power (Mains) Plug, Straight

new

**Description**

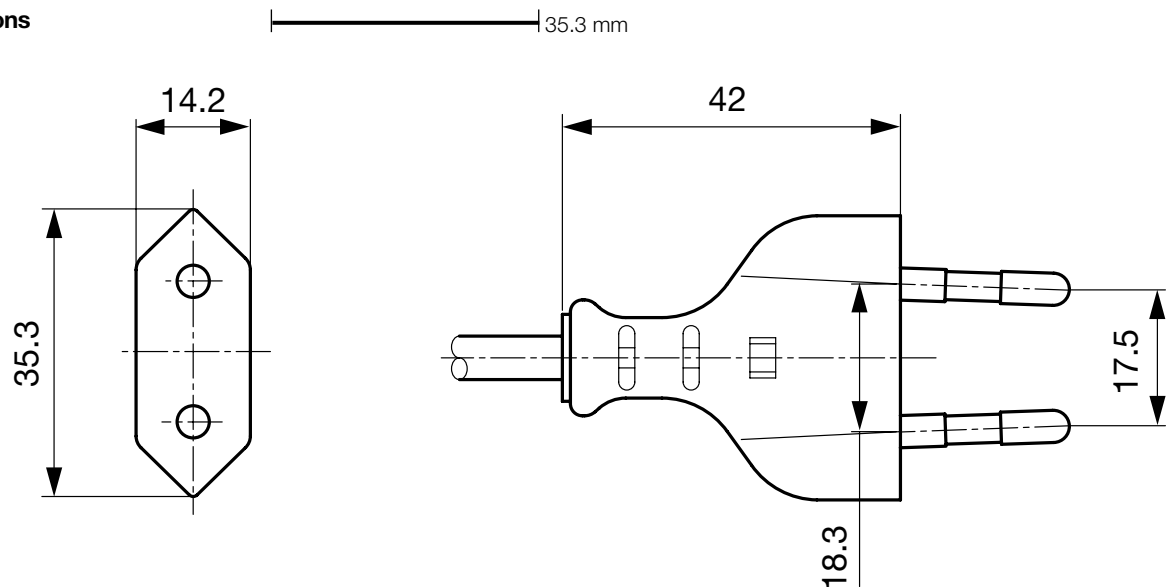
Power Supply Cord, Protection class II, Pin temperature 70 °C, Cable

Approvals

- VDE License Number: 100070

References[General Product Information](#)**Weblinks**[Approvals](#), [RoHS](#), [CHINA-RoHS](#), [Mating Connectors](#), [e-Store](#), [Distributor-Stock-Check](#), [Accessories](#)**Technical Data**

Ratings IEC	2.5 A / 250 VAC; 50 Hz
Ratings UL/CSA	2.5 A / 250 VAC; 60 Hz
Dielectric Strength	> 2 kVDC between L-N > 2 kVAC between L/N-PE (1 min/50Hz)
Allowable Operation Temp.	-25 °C to 70 °C
Degree of Protection	from front side IP 20 acc. to IEC 60529
Protection Class	Suitable for appliances with protection class 2 acc. to IEC 61140
Terminal	moulded
Material: Housing	PVC, black or grey

Dimensions

Config. Code

Product Configurator

4121 - R - Type - D - Length

The characters are placeholders for the correspondingly keys of selections from the key tables.
Typ steht für die Dose bzw. 2. Seite, Länge ist die Leitungslänge in mm.

4121 - R - Type - D - Length = cord type

cord type	Configuration key
H03VV-F 2x0,75mm ²	A
H03VWH2-F 2x0,75mm ²	B
H05VWH2-F 2x0,75mm ²	E

Cord definition is detailed in general product information XXX

4121 - R - Type - D - Length = Cord end 2

Cord end 2
zzzz, 0301, 2510, 2511, 3016, 3113, 3127, 3130, 4810, 9011

4121 - R - Type - D - Length = Color

Color	Configuration key
jet black; RAL9005	A
silver grey; RAL7001	B

standard color: black

4121 - R - Type - D - Length = Cord length

Cord length
zzzz, 000500, 001000, 001500, 002000, 002500, 003000, 005000

Cord length in mm