

Right Angle Hood Parallel Interface Plug Connector

57JE Series



FEATURES

- Soldering connector with right angle hood. Right angle hood is low profile designed for short height.
- The metal shell is beat-process and the metal hood is good performance in EMI shield.
- Intermateable with 57 family connectors.

SPECIFICATIONS

Rated Voltage	500V AC(r.m.s.)
Rated Current	5A / contact
Dielectric Withstanding Voltage	1200V AC(r.m.s.) / 1 minute
Insulation Resistance	1000M Ω (min.) at 500V DC
Contact Resistance	5m Ω (max.) at 5V DC
Operating Temperature	-55°C~ 105°C

MATERIAL / FINISH



Item	Material / Finish
Insert	DAP Resin (UL94V-0) / Blue
Shell	Brass / Nickel Plating
Contact	Copper Alloy / Au(0.5 μ m) over Ni Plating
Cable Clamp	Steel / Ni Plating
Hood	Aluminum Diecast / Non-Conductive Paint Finish(Outside Only)

※ The mating connector should be 57 family 40 type with bent latch.

© Specifications and/or dimensions in this catalogue are subject to change without notice.
Your catalogue checking the latest specifications with our drawings would be highly appreciated.

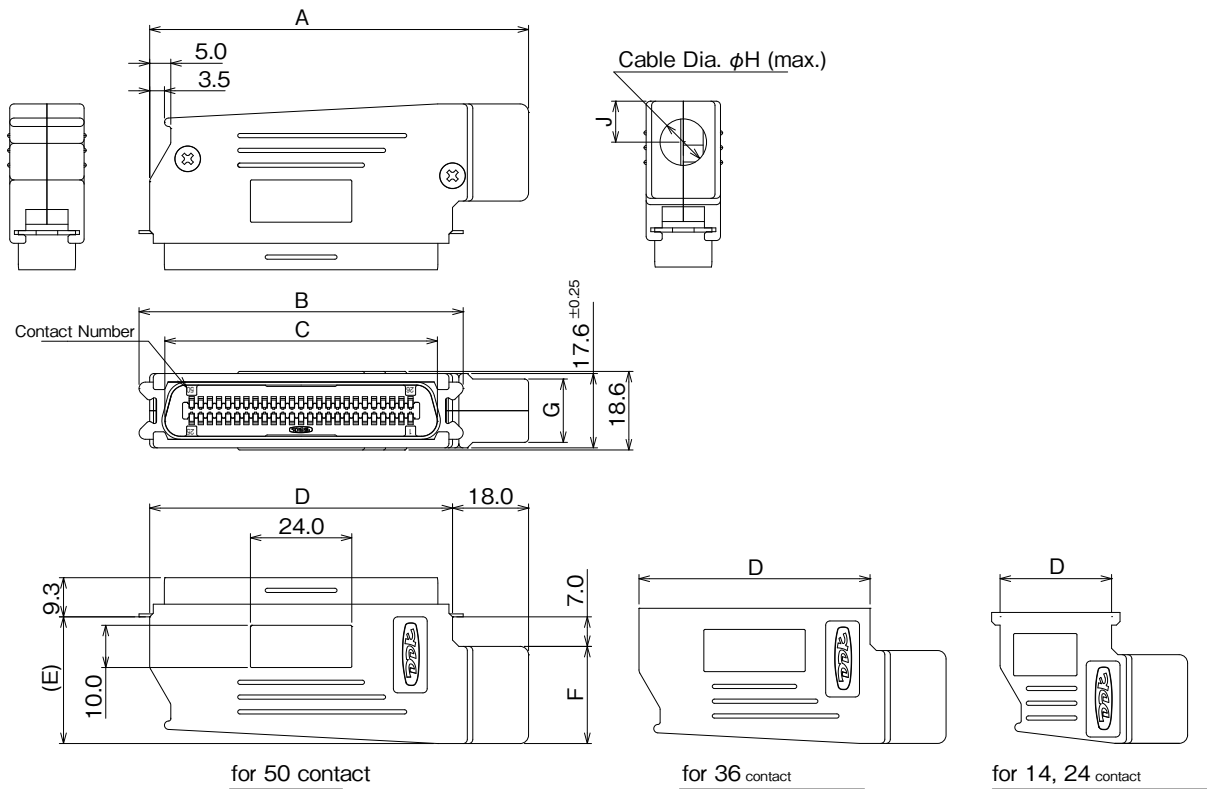
▶ Ordering Information and Dimensions

57JE-B36H-L12D2-3F

3F : Lead and Hexavalent Chromium Free

Deviation
 No Digit: with Standard Cable Clamp
 D1: without Shield Tape
 D2: with Cable Clamp for Interface Cable(Core φ 1.03mm) Applicable for only 14 contact

Number of Contact: 14, 24, 36, 50



Part Number	Number of Contact	A	B	C	D	E	F	G	H	J
57JE-B14H-L12D2-3F	14	44.4	37.8	25.7	26.4	28.0	21.0	13.0	8.4	8.8
57JE-B24H-L12 □□ -3F	24	57.5	48.6	36.5	39.5	28.0	21.0	13.0	9.0	8.7
57JE-B36H-L12 □□ -3F	36	72.7	61.6	49.2	54.7	29.0	22.0	14.0	10.0	8.2
57JE-B50H-L12 □□ -3F	50	89.7	76.7	64.5	71.7	30.0	23.0	15.0	11.0	9.7

© Specifications and/or dimensions in this catalogue are subject to change without notice.
 Your catalogue checking the latest specifications with our drawings would be highly appreciated.