

C6400 Series

22000 WATTS (AC) DC/DC SINGLE OUTPUT

Features

- Single output
- 8U x 19" x 600mm
- weight: 90kg

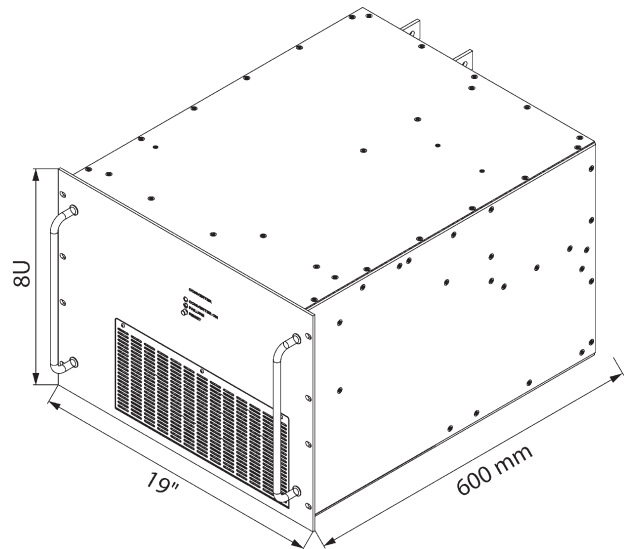


Selection Table

22KW (DC/DC)				
Input Vdc		Output Amps	Output Vdc	
320-640Vdc ⁽¹⁾	450-800Vdc		Adj.	Range
C6479G	C6479K	360	48	45-55
C6476G	C6476K	320	60	58-68
C6477G	C6477K	170	110	100-130
C6477GJ	C6477KJ	110	200	190-200
C6478G	C6478K	88	220	200-250
C6478GJ	C6478KJ	55	400	380-400
C6477GH	C6477KH	36	TBA	570-600
C6478GH	C6478KH	27	TBA	760-800

22KW (AC/DC)				
Input Vac, 3 Phase		Output Amps	Output Vdc	
3x400 (+15%, -20%)	3x480 (+10%, -15%)		Adj.	Range
C6489V	C6499	360	48	45-55
C6486V	C6496V	320	60	58-68
C6487V	C6497V	170	110	100-130
C6487VJ	C6497VJ	110	200	190-200
C6488V	C6498V	88	220	200-250
C6488VJ	C6498VJ	55	400	380-400
C6487VH	C6497VH	36	TBA	570-600
C6488VH	C6498VH	27	TBA	760-800

Technical Illustration



Note: (1) For input voltage <400Vdc the output power needs to be reduced by 20%