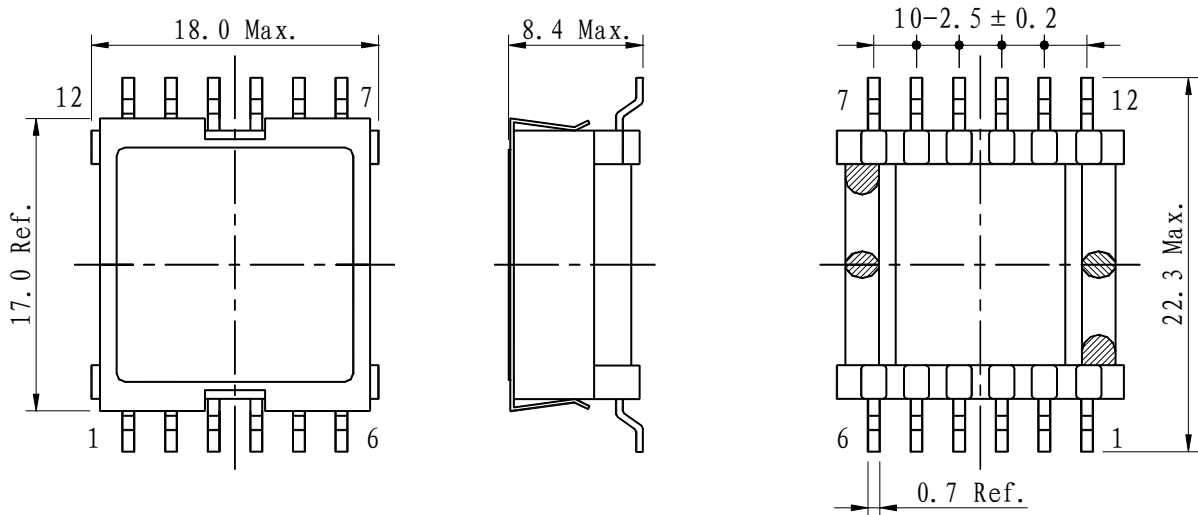
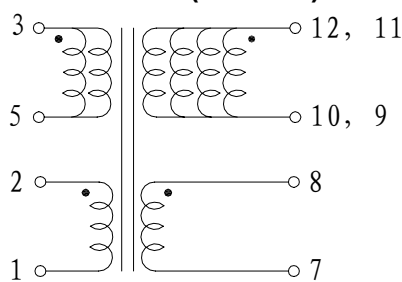


Type: CEEH157B
◆ Product Description

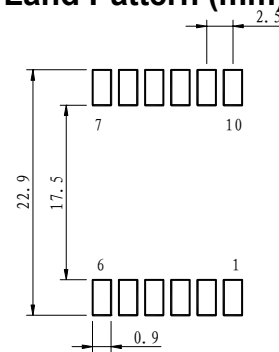
- 22.3×18.0mm Max.(L×W), 8.4Max. Height.
- In addition to the typical versions of parameters shown here, custom parameters are available to meet your exact requirements.


◆ Feature

- Max. Operating frequency 300kHz,Max. Operating Power 7.6W(300kHz).
- Ideally used in PoE transformer.
- RoHS Compliance

◆ Dimensions (mm)

◆ Schematics (Bottom)


"S" indicates winding start.

◆ Land Pattern (mm)

◆ Specification

Sample No.	Turns Ratio (Pri:Sec:Aux)	Primary Inductance 100kHz/1V	Pri-Sec. Insulation	Leakage L (μ H Max.)	D.C.R. (mΩ Max.)			
					Pri.	Aux.	Sec.1	Sec.2
PS05-028	1:0.2:0.3:0.44	165 μ H ± 15%	DC500V (0.5mA,1s.)	2.6	550	1400	55	840