

CLC175 Series



- High Efficiency Resonant Topology
- High Power Density 9.3 W/in³
- 12 V Fan Output as Standard
- Remote Sense as Standard
- 5V Standby Option
- Remote On/Off Option
- Power Good Signal Option

Specification

Input

Input Voltage	• 85-264 VAC (120-370 VDC), derate output power <90 VAC (See derating curve)
Input Frequency	• 47-63 Hz
Input Current	• 3.0 A typical at 115 VAC, full load 1.5 A typical at 230 VAC, full load
Inrush Current	• 40 A max at 230 VAC, cold start 25 °C
Power Factor	• EN61000-3-2, class A
Earth Leakage Current	• 200/400 µA 115/230 VAC at 50 Hz 475 µA 264 VAC at 60 Hz
Input Protection	• Internal 5 A fuse

Output

Output Voltage	• 12-48 V (see tables)
Output Voltage Trim	• ±5%
Initial Set Accuracy	• ±1% V1, ±5% V2, ±3% V3
Minimum Load	• 0.1A required for V2 regulation when used
Start Up Delay	• 1 s typical, see longform datasheet for more details
Start Up Rise Time	• 50 ms
Hold Up Time	• 16 ms min at 115 VAC
Drift	• ±0.2% after 20 min warm up
Line Regulation	• ±0.5% max
Load Regulation	• ±1% V1, ±5% V2 & V3 max
Over/Undershoot	• 5% typical
Transient Response	• 4% max. deviation, recovery to within 1% in 500 µs for a 50-75-50% load change
Ripple & Noise	• 1% pk-pk V1, others 2%, 20 MHz bandwidth
Overvoltage Protection	• 115-140% Vnom, recycle input to reset
Overload Protection	• 110-150% V1 only
Short Circuit Protection	• Continuous trip and restart (Hiccup mode)
Temperature Coefficient	• 0.05%/°C
Remote Sense	• Compensates for 0.5 V total voltage drop
Remote On/Off (Inhibit/Enable) (Option -A)	• Uncommitted isolated optocoupler diode, powered diode inhibits V1 & V2

General

Efficiency	• 87% typical
Isolation	• 3000 VAC Input to Output 1500 VAC Input to Ground 500 VAC Output to Ground
Switching Frequency	• 70 kHz typical
Signals (Option -A)	• Power OK - open collector, Remote On/Off, 5 V Standby
MTBF	• 390 kHrs per MIL-HDBK-217F

Environmental

Operating Temperature	• 0 °C to +70 °C derate linearly from +50 °C at 2.5%/°C to 50% load at +70 °C. See derating curve and longform datasheet for thermal information.
Cooling	• Forced-cooled >10 CFM
Operating Humidity	• 95% RH, non-condensing
Storage Temperature	• -40 °C to +85 °C
Operating Altitude	• 3000 m
Shock	• 30 g pk, half sine, 6 axis
Vibration	• 2 g rms, 5 Hz to 500 kHz, 3 axis

EMC & Safety

Low Voltage PSU EMC Emissions	• EN61204-3, high severity level as below • EN55022 level B conducted EN55022 level A radiated
Harmonic Currents	• EN61000-3-2, class A
Voltage Flicker	• EN61000-3-3
Radiated Immunity	• EN61000-4-3, level 3 Perf Criteria A
EFT/Burst	• EN61000-4-4, level 3 Perf Criteria A
Surge	• EN61000-4-5, installation class 3 Perf Criteria A
Conducted Immunity	• EN61000-4-6, level 3 Perf Criteria A
Dips & Interruptions	• EN61000-4-11, 30% 10 ms, 60% 100 ms, 100% 5000 ms Perf Criteria A, B, B
Safety Approvals	• IEC60950-1 CB report, CSA 22.2 No. 60950-1, UL60950-1, TUV EN60950-1

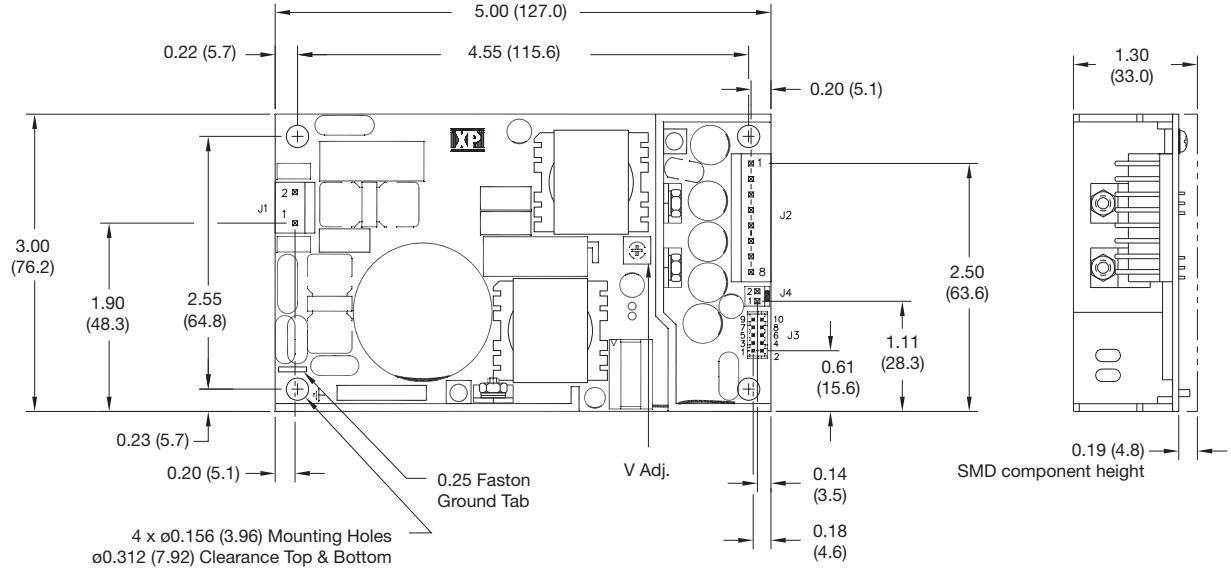
Models and Ratings

Max Output Power ⁽¹⁾	Output Voltage V1	Max Output Current V1	Fan Output V2	Standby Supply V3 (optional)	Model Number ⁽²⁾
175 W	12.0 VDC	13.9 A	12.0 V/0.5 A	5.0 V/0.5 A	CLC175US12
175 W	24.0 VDC	6.9 A	12.0 V/0.5 A	5.0 V/0.5 A	CLC175US24
175 W	48.0 VDC	3.5 A	12.0 V/0.5 A	5.0 V/0.5 A	CLC175US48

Notes

- 1. 10 CFM airflow.
- 2. For V3 5 V standby, Power OK & Inhibit, add suffix '-A' to model number.

Mechanical Details



Input Connector J1	
Pin 1	Line
Pin 2	Neutral
0.25" Faston	Earth

J1 mates with Molex housing 09-50-1031 and Molex series 5194 crimp terminals.

Output Connector J2	
Pin	Single
1	+V1
2	+V1
3	+V1
4	+V1
5	RTN
6	RTN
7	RTN
8	RTN

J2 mates with Molex housing 09-50-1081 and Molex series 5194 crimp terminals.

Signal Connector J3	
Pin	Single
1	+5V Standby
2	Logic GND
3	Logic GND
4	Power OK
5	Inhibit HI
6	Inhibit LO
7	+Sense
8	-Sense
9	+Vout
10	-Vout

J3 mates with JST housing PHDR-10VS and JST series SPHD-001T-P0.5 crimp terminals.

Fan Connector J4	
Pin 1	Fan +(12V)
Pin 2	Fan -

J4 mates with Molex housing 22-01-1024 and Molex series 5103 crimp terminals.

Notes

- 1. All dimensions in inches (mm). Tolerance .xx = ± 0.02 (0.50); .xxx = ± 0.01 (0.25)

Derating Curves

