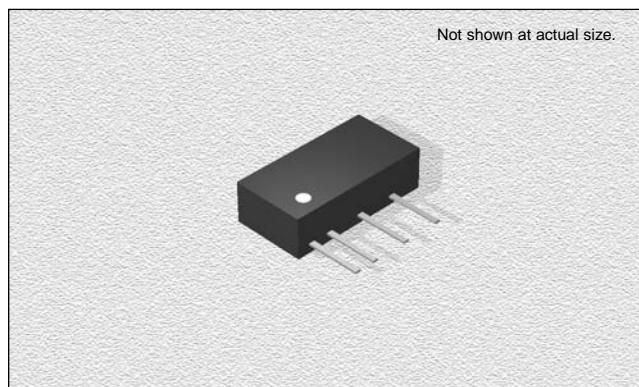


CTDD1906S-S Series

Fixed Input Isolated & Regulated
1W Output, Single Output



FEATURES

Efficiency: To 79%

Temperature Range: -40°C to 85°C

Isolation: 1KVDC

Package: UL94-V0

Miscellaneous: Single Output Voltage. Fixed Input Voltage. Regulated Output Voltage. No heatsink required. No external components required. Industry standard pinout. Pin compatible with MSB series. Small footprint. Custom service available.

Samples available.

CHARACTERISTICS

Short Circuit Protection: 1 second

Temperature Rise at Full Load: 25°C Max. 15°C Typ.

Cooling: Free air convection

Operating Temperature Range: -40°C to +85°C

Storage Temperature Range: -55°C to +125°C

Lead Temperature: 300°C (1.5mm from case for 10 seconds)

Storage Humidity Range: ≤ 95%

Case Material: Plastic (UL94-V0)

MTBF: >1,000,000 hours

SPECIFICATIONS

Part Number	Vin Nom.	Input Range	Vout	Iout Max. (mA)	Iout Min. (mA)	Effi(Typ.)
CTDD1906S-0505S-1	5VDC	4.75-5.25VDC	5VDC	150	15	72%
CTDD1906S-0509S-1	5VDC	4.75-5.25VDC	9VDC	111	12	75%
CTDD1906S-0512S-1	5VDC	4.75-5.25VDC	12VDC	83	9	78%
CTDD1906S-0515S-1	5VDC	4.75-5.25VDC	15VDC	67	7	78%
CTDD1906S-1205S-1	12VDC	11.4-12.6VDC	5VDC	150	15	73%
CTDD1906S-1209S-1	12VDC	11.4-12.6VDC	9VDC	111	12	76%
CTDD1906S-1212S-1	12VDC	11.4-12.6VDC	12VDC	83	9	79%
CTDD1906S-1215S-1	12VDC	11.4-12.6VDC	15VDC	67	7	79%
CTDD1906S-2405S-1	24VDC	22.8-25.2VDC	5VDC	150	15	76%
CTDD1906S-2409S-1	24VDC	22.8-25.2VDC	9VDC	111	12	78%
CTDD1906S-2412S-1	24VDC	22.8-25.2VDC	12VDC	83	9	79%
CTDD1906S-2415S-1	24VDC	22.8-25.2VDC	15VDC	67	7	79%

ISOLATION SPECIFICATIONS

Item	Test Condition	MIN	TYP	MAX	Units
Isolation Voltage	Tested for 1 minute	1000			VDC
Isolation Resistance	Test at 500VDC	1000			MΩ

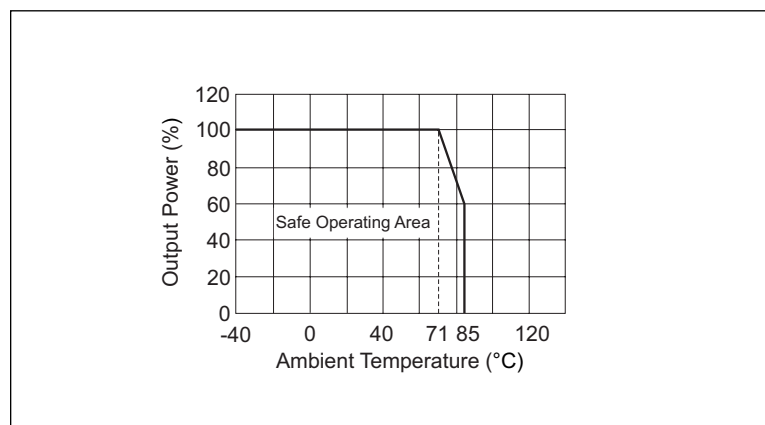
OUTPUT SPECIFICATIONS

Item	Test Condition	MIN	TYP	MAX	Units
Output Power		0.1		1	W
Line regulation	For Vin change of 1%			0.25	%
Load regulation	10% to 100% full load			1	%
Output voltage accuracy	Rated input, 100% full load	3%	3%	3%	3%
Temperature drift	100% full load			0.03	%/°C
Output ripple & noise	20Hz-300KHz bandwidth		50	100	mVp-p
Switching frequency	Full load, nominal input		100		KHz

Note:

1. All specifications measured at TA=25°C, humidity<75%, nominal input voltage and rated output unless otherwise specified.

TYPICAL CHARACTERISTICS

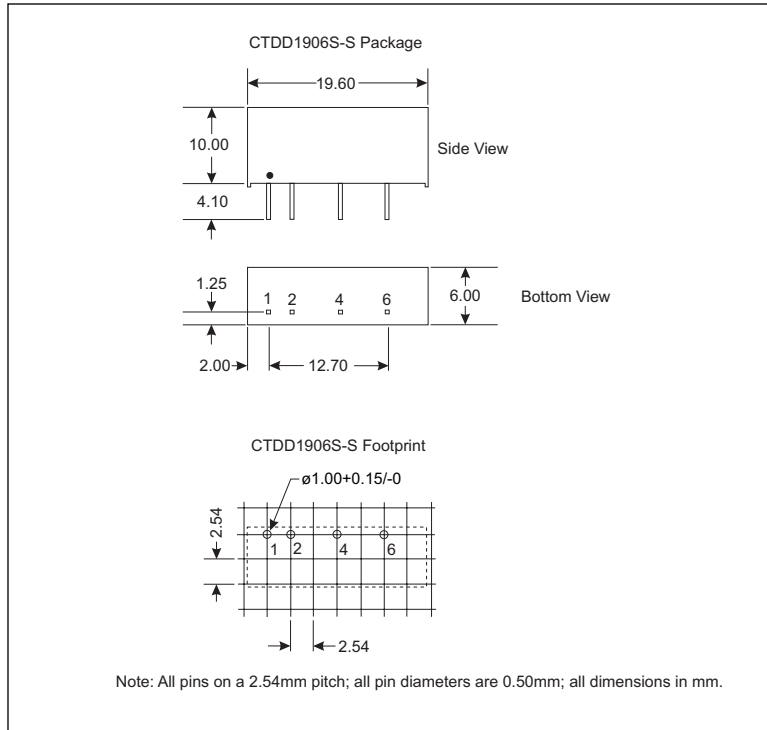


12.08.04

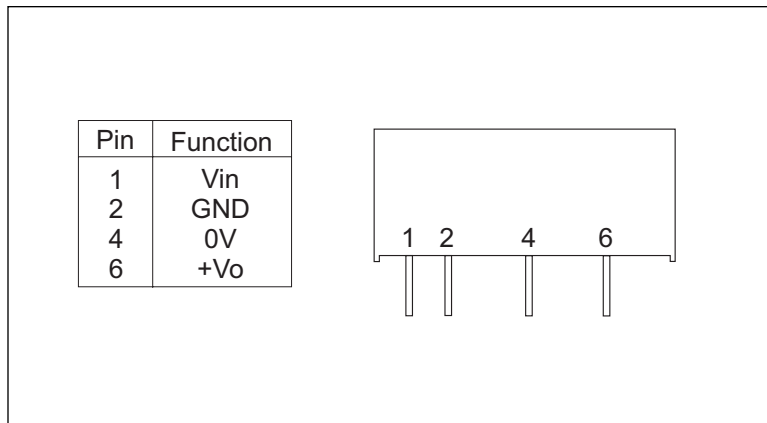
CTDD1906S-D Series

Fixed Input Isolated & Regulated
1W Output, Single Output

OUTLINE DIMENSIONS & RECOMMENDED FOOTPRINT DETAILS



PIN CONNECTIONS



12.08.04