

DC COOLING FAN

120x120x25mm

- Voltage: 12 & 24 VDC
- Bearing options: Ball, Sleeve or Oil Bearing
- Material on housing: Plastic Housing to UL94V-0
- Airflow range: 72 - 98.6 CFM
- Suitable for PSU, Racks and Test Instruments



SPECIFICATION

Part No.	Bearing	Voltage(V)	Current(A)	Power (W)	Speed(RPM)	Air flow(CFM)	Pressure(mmAq)	Noise(dB/A)	Weight(g)
DBF12025x12U	Ball, Sleeve, Oil	12	0.50	6.00	2500	98.6	4.48	43.3	164
DBF12025x12H	Sleeve, Oil	12	0.44	5.28	2200	85.2	3.45	39.1	164
DBF12025B12H	Ball	12	0.37	4.44	2200	85.2	3.45	39.1	164
DBF12025x12M	Sleeve, Oil	12	0.34	4.08	2050	80.5	2.97	38.0	164
DBF12025B12M	Ball	12	0.33	3.96	2050	80.5	2.97	38.0	164
DBF12025x12L	Ball, Sleeve, Oil	12	0.24	2.88	1800	72.0	2.41	34.4	164
DBF12025x24H	Sleeve, Oil	24	0.24	5.76	2200	85.2	3.45	39.1	164
DBF12025B24H	Ball	24	0.19	4.56	2200	85.2	3.45	39.1	164
DBF12025x24M	Sleeve, Oil	24	0.20	4.80	2050	80.5	2.97	38.0	164
DBF12025B24M	Ball	24	0.17	4.08	2050	80.5	2.97	38.0	164
DBF12025x24L	Ball, Sleeve, Oil	24	0.14	3.36	1800	72.0	2.41	34.4	164

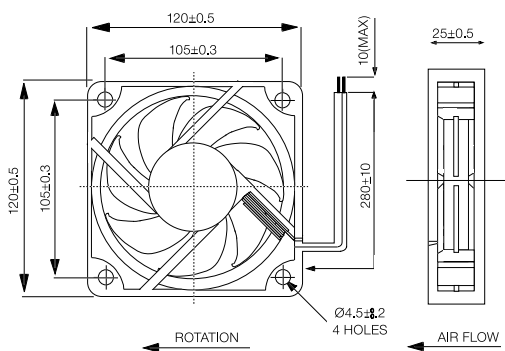
Impeller: Plastic (UL;94V-0)

Lead Wire: UL1007 AWG24

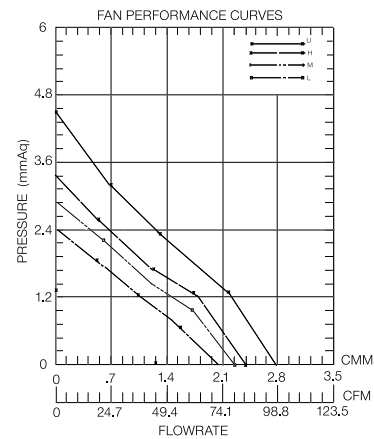
Protection: Current Limit

Operating Temp: -10° to 70° C

EXTERNAL DIMENSIONS



PERFORMANCE CURVE



ORDERING INFORMATION

DBF	12025	B	12	H	
Dubilier Fans	Size	Bearing	Voltage	Airflow	Options
	120x120x25mm	B=Ball S=Sleeve G=Oil	12=12vdc 24=24vdc	U=Ultra High H=High M=Medium L=Low	Blank=Standard A=Alarm Lead S=Speed Sensor T=Twin Speed Other options available