

**DC COOLING FAN**

**120x120x38mm**

- Voltage: 12, 24 & 48 VDC
- Bearing options: Ball, Sleeve or Oil Bearing
- Material on housing: Aluminium Alloy Housing
- Airflow range: 72.3 - 125.1 CFM
- Suitable for PSU, Racks and Test Instruments



**SPECIFICATION**

Part No.	Bearing	Voltage(V)	Current(A)	Power (W)	Speed(RPM)	Air flow(CFM)	Pressure(mmAq)	Noise(dB/A)	Weight(g)
DBF12038x12H	Ball, Sleeve, Oil	12	0.50	6.00	2800	104.8	6.86	42.8	320
DBF12038x12M	Ball, Sleeve, Oil	12	0.35	4.20	2540	94.0	6.20	41.0	320
DBF12038x12L	Ball, Sleeve, Oil	12	0.24	2.88	1950	72.3	3.43	32.9	320
DBF12038x24H	Ball, Sleeve, Oil	24	0.35	8.40	3200	125.1	9.50	48.1	320
DBF12038B24M	Ball	24	0.34	8.16	2800	104.8	6.86	42.8	320
DBF12038x24L	Sleeve, Oil	24	0.32	7.68	2800	104.8	6.86	42.8	320
DBF12038x48H	Ball, Sleeve, Oil	48	0.20	9.60	2800	104.8	6.86	42.8	320
DBF12038x48M	Ball, Sleeve, Oil	48	0.14	6.72	2540	94.0	6.20	41.0	320
DBF12038x48L	Ball, Sleeve, Oil	48	0.10	4.80	1950	72.3	3.43	32.9	320

SECTION 12

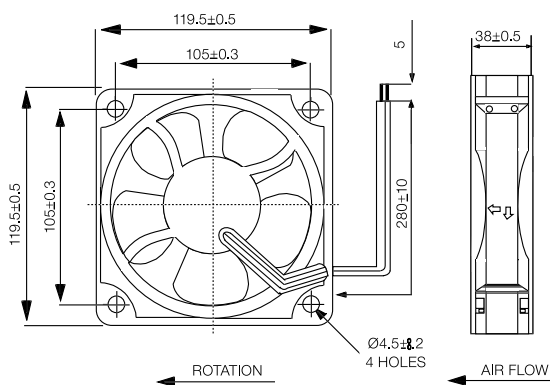
**Impeller:** Plastic (UL;94V-0)

**Lead Wire:** UL1007 AWG24

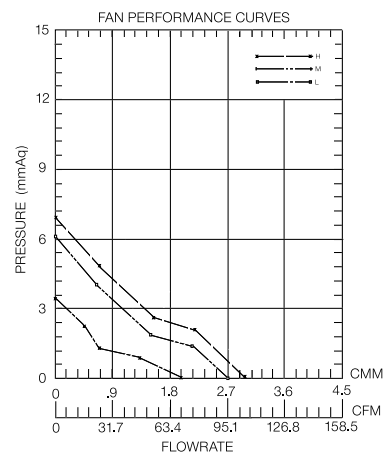
**Protection:** Current Limit

**Operating Temp:** -10° to 70° C

**EXTERNAL DIMENSIONS**



**PERFORMANCE CURVE**



**ORDERING INFORMATION**

DBF	12038	B	12	H	
Dubilier Fans	Size	Bearing	Voltage	Airflow	Options
	120x120x38mm	B=Ball S=Sleeve G=Oil	12=12vdc 24=24vdc 48=48vdc	H=High M=Medium L=Low	Blank=Standard A=Alarm Lead S=Speed Sensor T=Twin Speed Other options available