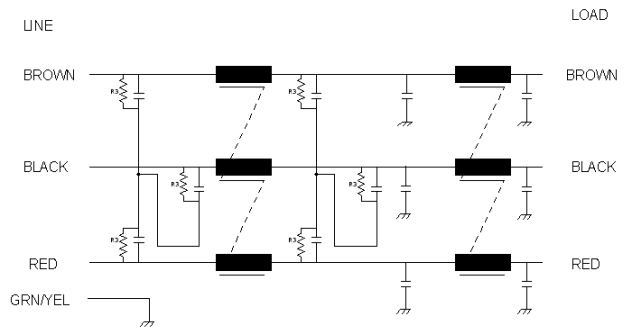




# FF-1237-10

The FF-1237-10 is a 3 phase delta filter designed to work with motors controls or other 3ph power conversion systems. The filter is configured to function in systems designed to meet the FCC requirements and EN55022. The "flying leads" provide for easy field or production line connections. Variation in lead lengths are available. If you require an adjustment to the lead length, please contact our engineering department for assistance at [info@jmkfilters.com](mailto:info@jmkfilters.com) or call us at 603 886-4100.



**Operating Voltage = 250/480VAC**  
**Operating Current = 3 10 amperes**  
**Operating Frequency = 50/60 Hz**  
**Operating Temperature = -20 to 50 deg. C**  
**Dielectric Withstanding (Line-Ground) = 1500 VDC for 1 minute**  
**Dielectric Withstanding (Line to Line) = 1500 VDC for 1 minutes**  
**Leakage Current = 2.0 mA per line @ 250 VAC, 50Hz**  
**Residual Voltage (Max after 1 sec.) = 42 Volts**  
**Agency Approvals UL, CSA**

