

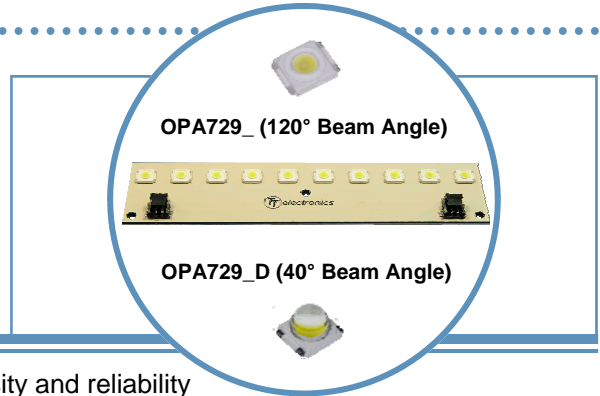
OPA729 Series

10 Watt Light Bar on Another Linear Heat Spreader



OPA729 Series

- 10, 1 watt LEDs per strip, can be linked with other OPA729's
- Mono-color per strip (Blue, Green, Red, Yellow, White)
- Two component beam angle options (120° or 40°)
- Power connected to either end
- Universal connector (Tyco 2-292173-2 mates with 173977-2)
- RoHS Compliant

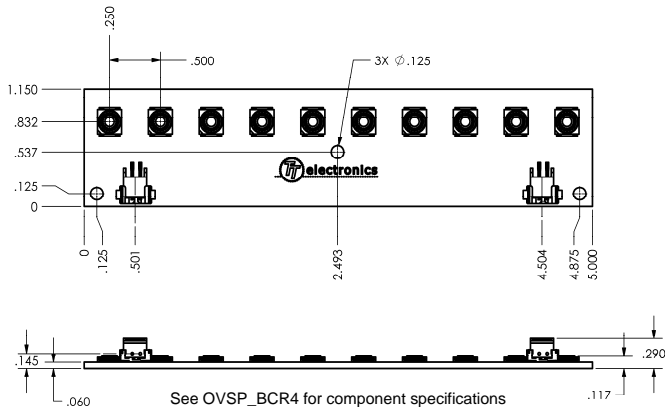


The **OPA729** Series are designed for areas where lighting intensity and reliability are essential. The light beam angles of 40° and 120° are ideal for illuminating small and medium size areas while requiring minimal space. A patented substrate is used to ensure the best heat dissipation of any light assembly in the industry.

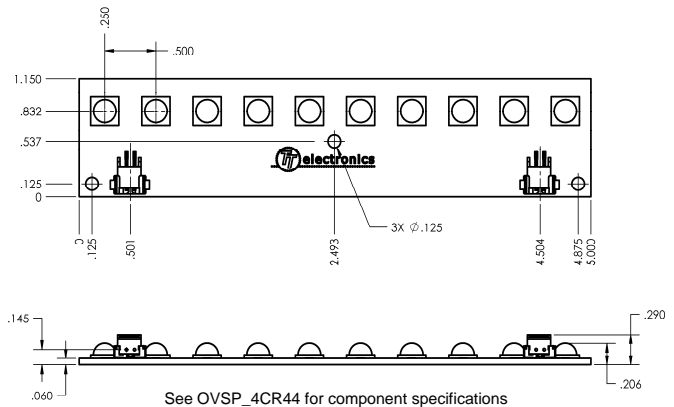
For custom colors and design contact your OPTEK representative.

Electrical / Optical Characteristics: $T_A=25^{\circ}\text{C}$, $I_F=700\text{mA}$

Part Number	Typical Forward Voltage (V)	Luminous Flux (lm)	Beam Angle	Color	Dominant Wavelength
OPA729Y	12.5	350	120°	Yellow	587 nm
OPA729B	18.0	90		Blue	470 nm
OPA729G	18.0	480		Green	530 nm
OPA729R	12.5	260		Red	625 nm
OPA729W	18.0	480		White	6,500°K
OPA729YD	12.5	350	40°	Yellow	587 nm
OPA729BD	18.0	90		Blue	470 nm
OPA729GD	18.0	480		Green	530 nm
OPA729RD	12.5	260		Red	625 nm
OPA729WD	18.0	480		White	6,500°K



OPA729_



OPA729_D



DO NOT LOOK DIRECTLY AT LED WITH UNSHIELDED EYES OR DAMAGE TO RETINA MAY OCCUR.

OPTEK reserves the right to make changes at any time in order to improve design and to supply the best product possible.