



TAI-SAW TECHNOLOGY CO., LTD.

No. 3, Industrial 2nd Rd., Ping-Chen Industrial District,
Taoyuan, 324, Taiwan, R.O.C.

TEL: 886-3-4690038 FAX: 886-3-4697532

E-mail: tstsales@mail.taisaw.com Web: www.taisaw.com

Product Specifications Approval Sheet

Issued Date:

Product Name: SAW IF Filter 255 MHz

TST Parts No.: TB0649A (package 5.0mm x5.0 mm)

Customer Parts No.: _____

Customer signature required
Company: _____
Division: _____
Approved by : _____
Date: _____

Checked by: _____ Kazuma Lee

Approval by: _____ Andrew Lee 

Date: _____ 10 / 29 / 2009

1. Customer signed back is required before TST can proceed with sample build and receive orders.
2. Orders received without customer signed back will be regarded as agreement on the specifications.
3. Any specifications changes must be approved upon by both parties and a new revision of specifications shall be released to reflect the changes.



TAI-SAW TECHNOLOGY CO., LTD.

No.3, Industrial 2nd Rd., Ping-Chen Industrial District, Taoyuan, Taiwan, R.O.C.

TEL: 886-3-4690038 FAX: 886-3-4697532

E-mail: tstsales3@mail.taisaw.com Web: www.taisaw.com

SAW Filter 255MHz 90 MHz BW (SMD 5×5 mm)

MODEL NO.: TB0649A

REV. NO.2

A. MAXIMUM RATING:

- 1.Storage Temperature: -40°C to 85°C
- 2.Operating Temperature: -20°C to 70°C
3. Input Power Level : 10 dBm

RoHS Compliant
Lead free
Lead-free soldering

B. Characteristics :

Item	Unit	Min.	Type.	Max.
Center frequency, Fc	MHz	-	255	-
Insertion Loss 210 to 300 MHz	dB	-	15.2	16
Passband Variation 210 to 300 MHz	MHz	-	1.2	3
Relative Attenuation at 166MHz	dB	20	50	-
Relative Attenuation at 306MHz	dB	-	20	-
Temp Coefficient	ppm/K	-	-76	-

C. Frequency Characteristics:

Wideband Response:(span 300MHz)

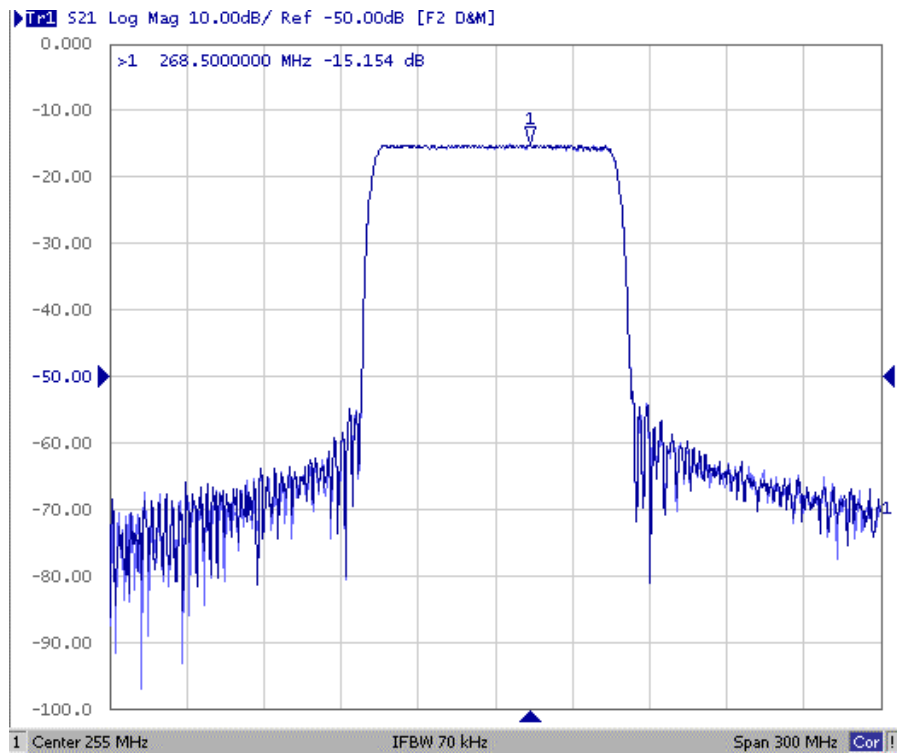


Fig1. Horizontal: 30MHz/Div Vertical: 10dB/Div

Passband Response:(span 100MHz)

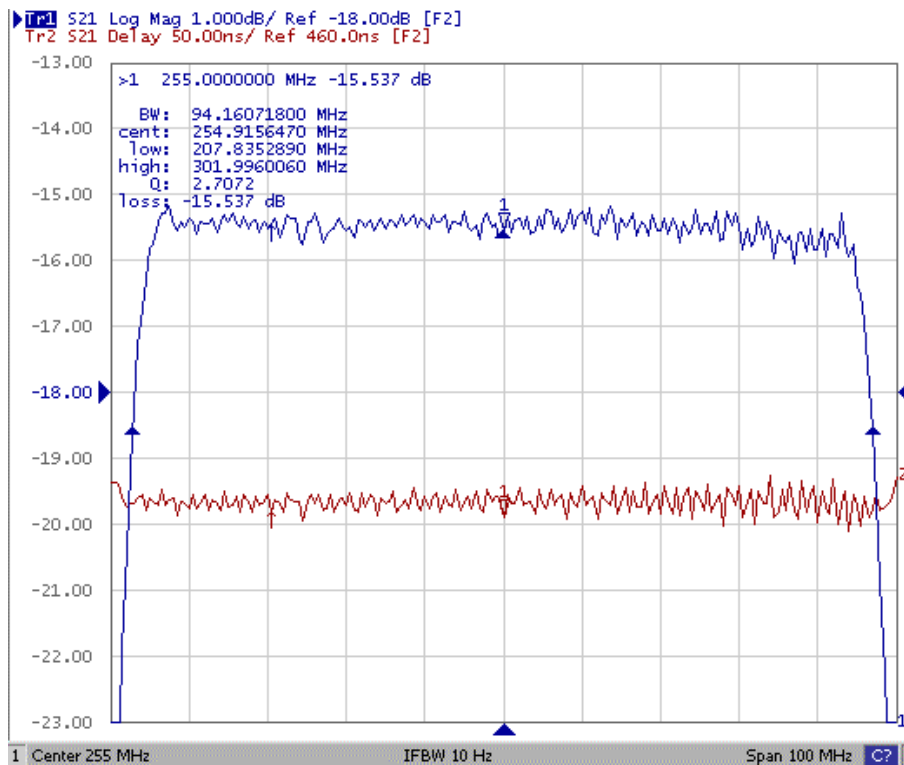
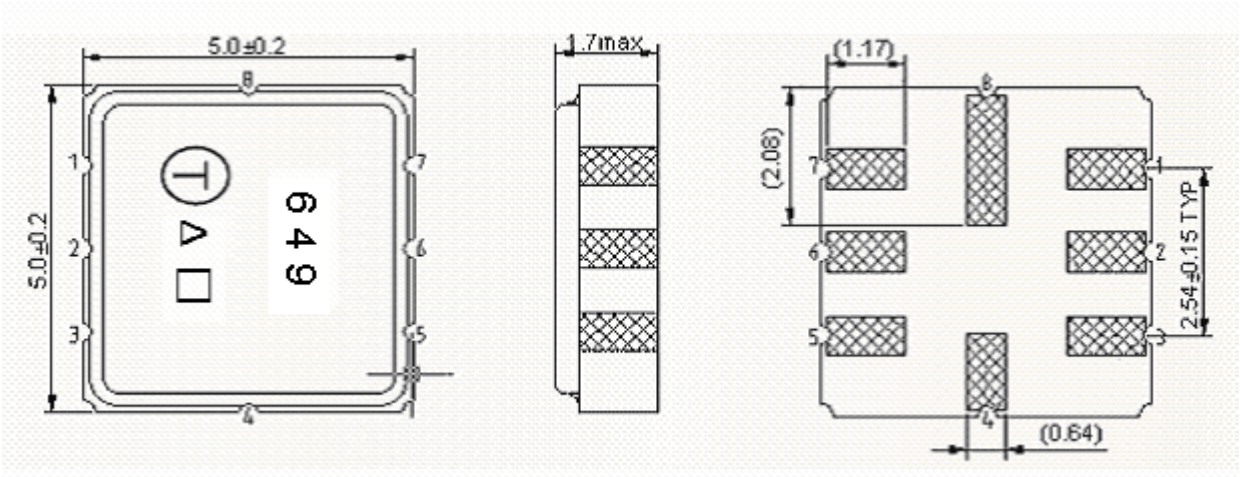


Fig2. Horizontal: 10MHz/Div Vertical 1: 1dB/Div
Vertical 2: 50nS/Div

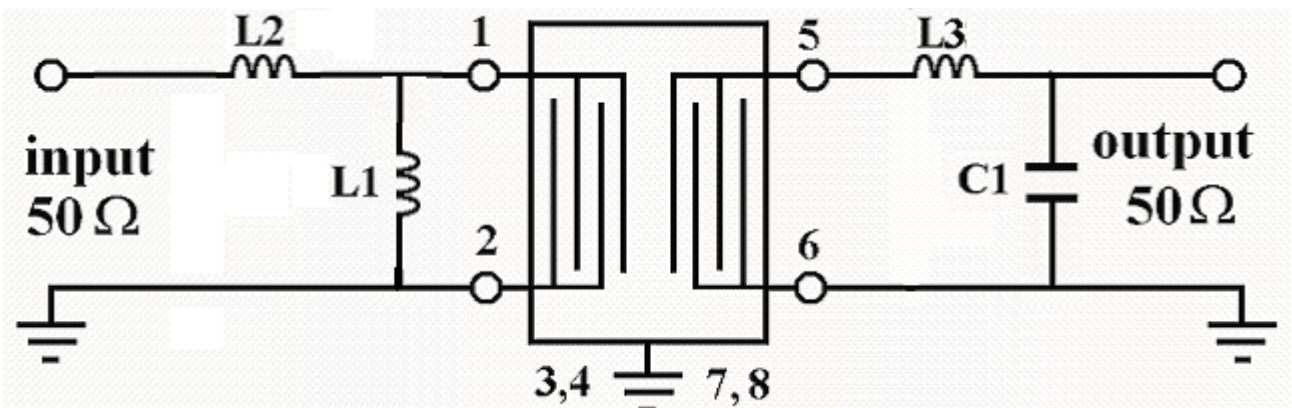
D. Outline Drawing:



- #1 –Input
- #2 –Input ground
- #5 – Output
- #6 – Output ground
- #3,4,7,8 – Ground
- : Week Code (Follow the table from planner each year)
- Unit : mm
- △ : Product / Year Code

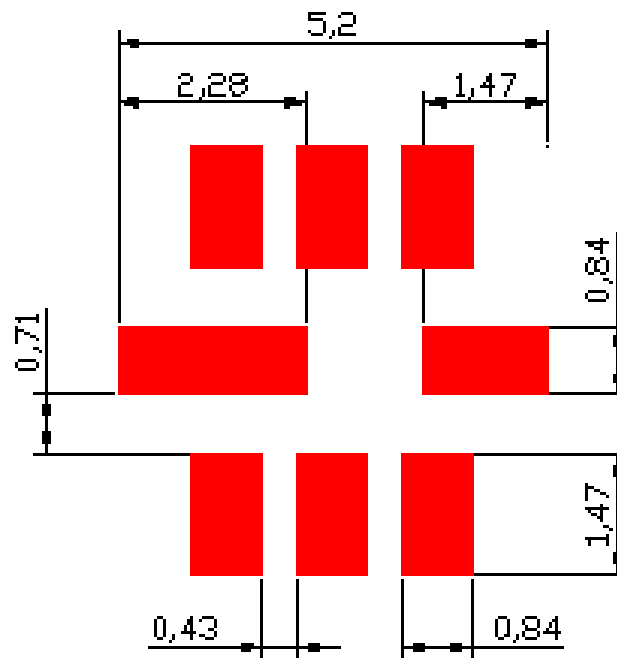
Year	2005 2009	2006 2010	2007 2011	2008 2012
Product Code	B	b	<u>B</u>	<u>b</u>

E. Matching Circuit: 50 Ohm single ended Input - 50 Ohm single ended Output



L1=180nH; L2=56nH; L3=22nH ;C1=15pF

F. PCB Footprint:



G. PACKING:

1. REEL DIMENSION:

