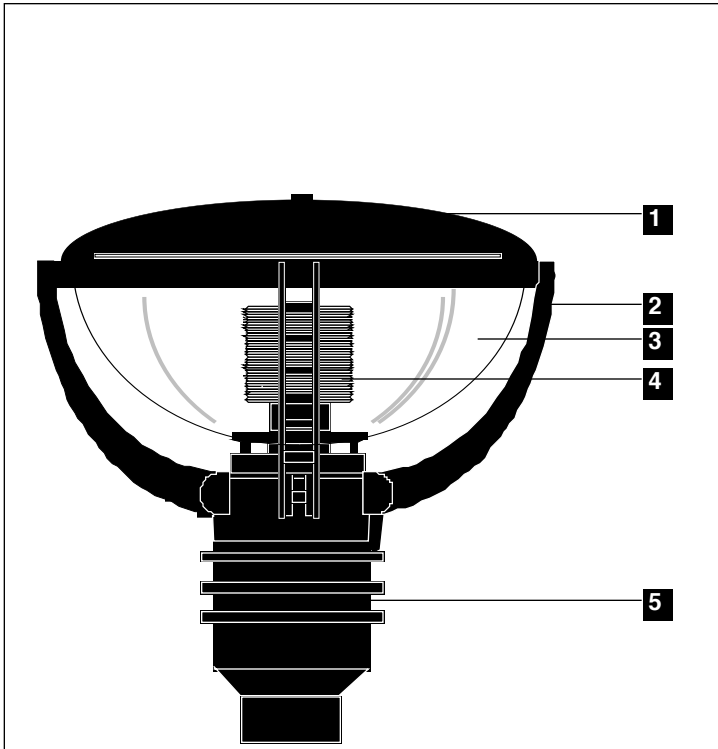


Specification

W800

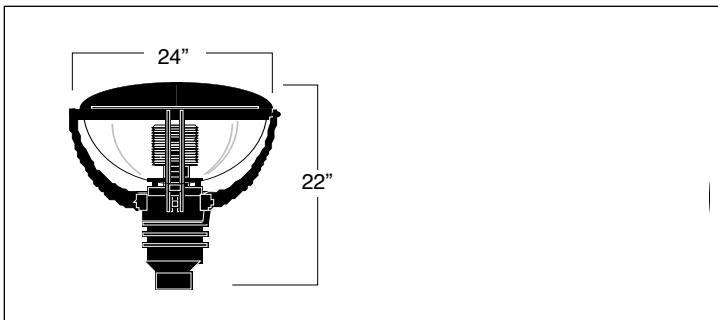


All exposed cast aluminum components are made of non corrosive pure aluminum copper free (Aluminum is less than .1% copper content.#356 alloy.)

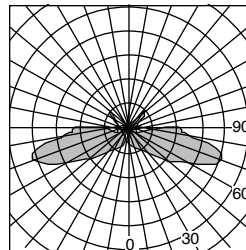
Finish: All polyester powder baked coatings preceded with a 5 baths preparation process. Meets military grade MIL-C781706 with a 2000 hours salt spray test.

- Pulse rated medium base porcelain socket.
- 75W/600V thermoplastic compact fluorescent socket.
- One-piece molded silicone gasket with memory retention.
- High power factor CWA ballast. Or 98% P.F.electronic smart ballast with end of life detection for compact fluorescent.
- All stainless steel hardware.
- All Moving and removable parts are sealed with a memory retention silicone gasket.

- 1- Min. .093" hard aluminum exterior dome with inner white enamel reflector for maximum reflectance.
- 2- Set of four heavy cast aluminum louvered arms.
- 3- Clear U.V. protected high impact acrylic spherical light chamber.
- 4- Standard type V borosilicate glass refractor.
- 5- Cast Aluminum ballast housing with dissipation fins to maximize heat dissipation and cool operation of ballast.



Photometry



Separate updated technical specification sheets with related models and light sources with I.E.S formatted photometry are available on www.luminis.com.

Certification Mounting & E.P.A.

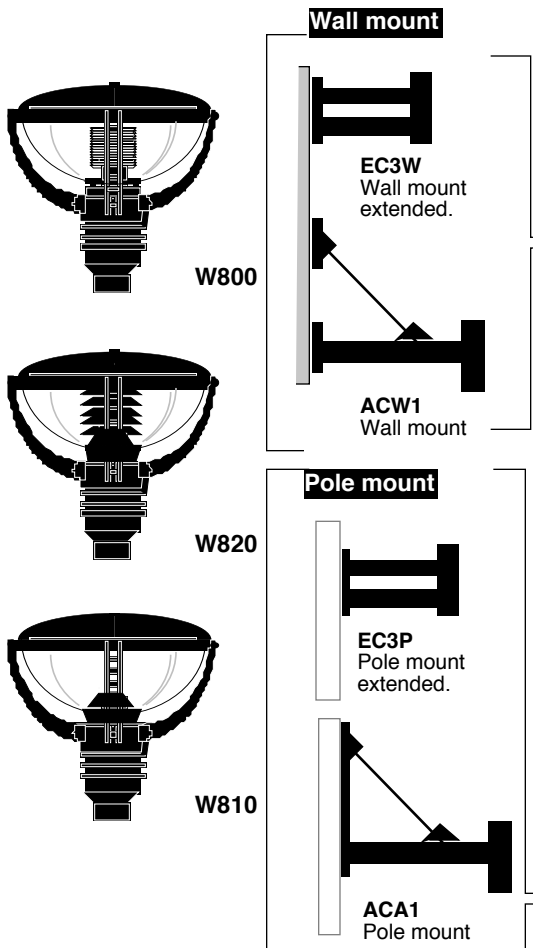
UL. Wet Location. IP54

E.P.A: 2.1 Max. weight: 47 lbs..
Installation: Mounts over a 4" or 5"O.D. Pole.X 4" deep tenon.

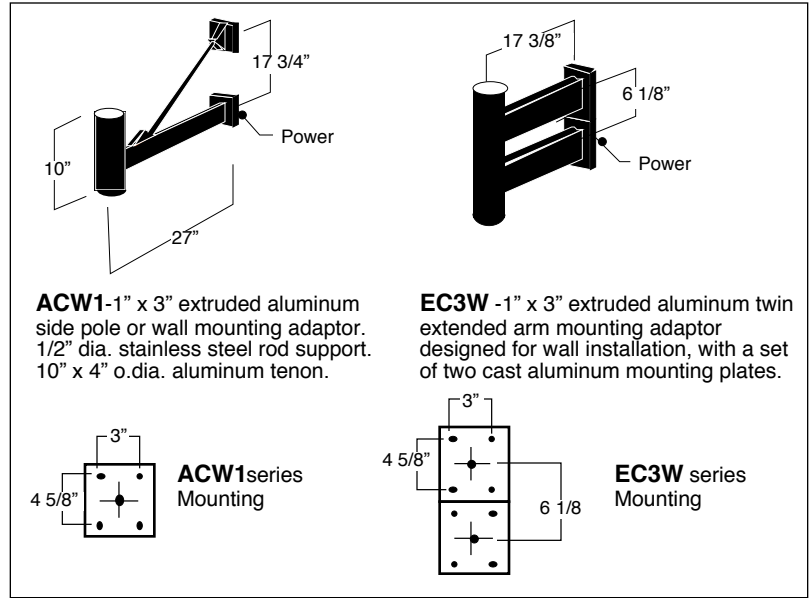
For options details and specifications, please refer to pages 26- 41-42 .

| Model# | Mounting | Light source selection | Voltage | Finish | Options |
|-------------------------------|--|---|---|--|---|
| <input type="checkbox"/> W800 | <input type="checkbox"/> ACA1 <input type="checkbox"/> ACW1 <input type="checkbox"/> EC3P <input type="checkbox"/> EC3W | MH (ED17) <input type="checkbox"/> M70 <input type="checkbox"/> M100 <input type="checkbox"/> M150 <input type="checkbox"/> M175 HPS (ED17) <input type="checkbox"/> H70 <input type="checkbox"/> H100 <input type="checkbox"/> H150 (Lamps by others) | 120 V Standard factory prewired (If no voltage is specified) For other voltages, please specify with catalog number. H.I.D. <input type="checkbox"/> 208 V <input type="checkbox"/> 240 V <input type="checkbox"/> 277 V <input type="checkbox"/> 347 V <input type="checkbox"/> 480 V | (Refer to color chart) <u>Standard selection</u> <input type="checkbox"/> WHT : Snow white <input type="checkbox"/> BKT : Jet black <input type="checkbox"/> BZT : Bronze <input type="checkbox"/> GRT : Titanium gray <input type="checkbox"/> DGT : Gun metal <input type="checkbox"/> CHT : Champagne <input type="checkbox"/> MST : Matte silver <input type="checkbox"/> GNT : Forest green <u>Optional colors</u> <input type="checkbox"/> CS : Custom color <input type="checkbox"/> RAL : RAL# color | <input type="checkbox"/> R3 : Type III refractor. <input type="checkbox"/> R4 : Type IV refractor. Electrical <input type="checkbox"/> FS : Fuse <input type="checkbox"/> PH1 : 120/277V photo cell <input type="checkbox"/> PH2 : 347V photo cell |

luminaires may be altered for design improvements or discontinued without prior notice.



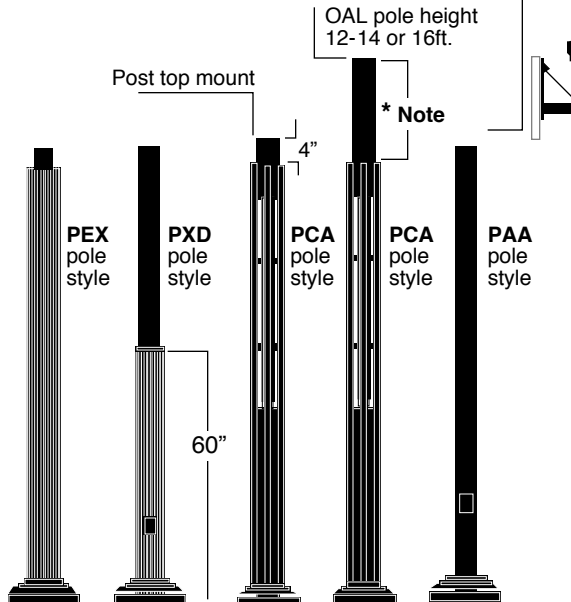
* Note:
36" extension with ACA attachment
24" extension with EC3P attachment



Compatible poles listing.

| Mounting style | Post top mounting | | | | | Pole height |
|----------------|--|------------|-----------|-----------|-----------|-------------|
| | 4"O.D. | 5"O.D. | 4"O.D. | 4"O.D. | 4"O.D. | |
| | PAA410 | PAA510-A | PCA10 | PEX10 | PXD10 | 10 ft |
| | PAA412 | PAA512-A | PCA12 | PEX12 | PXD12 | 12 ft |
| | PAA414 | PAA514-A | PCA14 | PEX14 | PXD14 | 14 ft |
| | PAA416 | PAA516-A | PCA16 | PEX16 | PXD16 | 16 ft |
| | PAA418 | PAA518-A | | PEX18 | PXD18 | 18 ft |
| | PAA420 | PAA520-A | | PEX20 | PXD20 | 20 ft |
| | Post side mount with EC3P attachment accessory | | | | | |
| | PAA410-C3P | PAA510-C3P | | | | 10 ft |
| | PAA412-C3P | PAA512-C3P | PCA12-C3P | PEX12-C3P | PXD12-C3P | 12 ft |
| | PAA414-C3P | PAA514-C3P | PCA14-C3P | PEX14-C3P | PXD14-C3P | 14 ft |
| | PAA416-C3P | PAA516-C3P | PCA16-C3P | PEX16-C3P | PXD16-C3P | 16 ft |
| | PAA418-C3P | PAA518-C3P | | PEX18-C3P | PXD18-C3P | 18 ft |
| | PAA420-C3P | PAA520-C3P | | | | 20 ft |
| | Post side mount with ACA1 attachment accessory | | | | | |
| | PAA414-ACA | PAA514-ACA | PCA14-ACA | PXD14-ACA | | 14 ft |
| | PAA416-ACA | PAA516-ACA | PCA16-ACA | PXD16-ACA | | 16 ft |
| | PAA418-ACA | PAA518-ACA | | PXD18-ACA | | 18 ft |
| | PAA420-ACA | PAA520-ACA | | PXD20-ACA | | 20 ft |

For poles details and specification, please refer to pages 140 to 144



luminaires may be altered for design improvements or discontinued without prior notice.