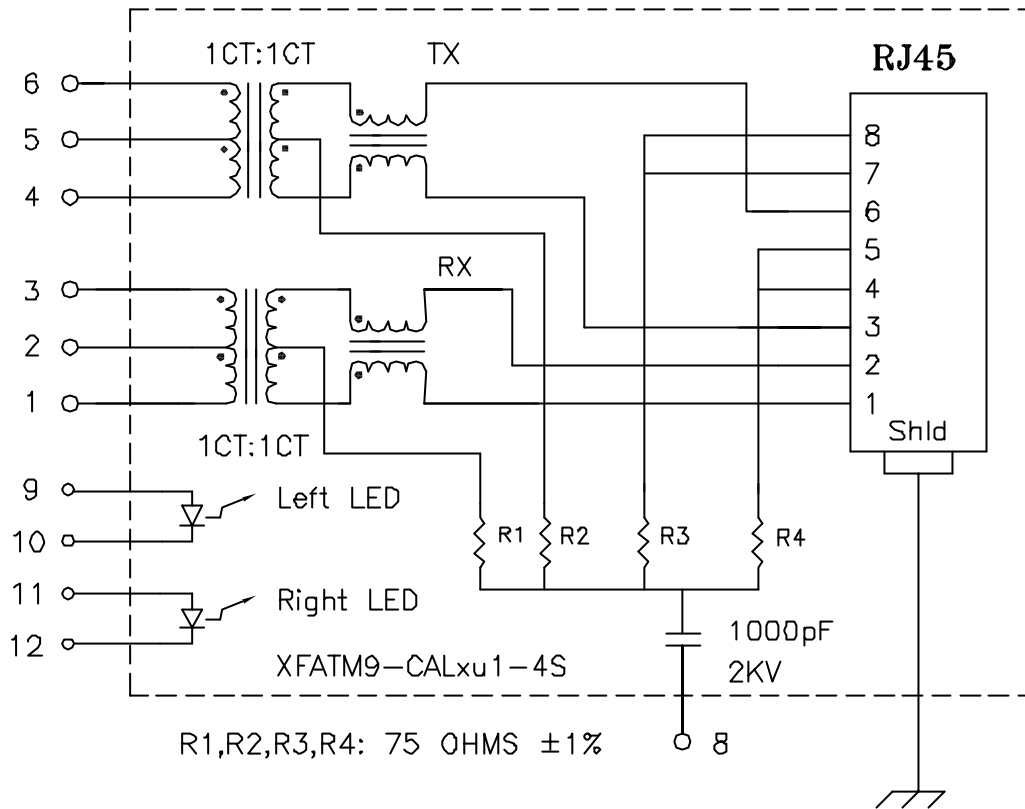


Schematic:



Electrical Specifications: @25°C

HIPOT: 1500Vac (Input to Output)
 HIPOT: 500Vac (P1+2+3 to P4+5+6)
 TURNS RATIO: TX 1CT:1CT \pm 3%, RX1CT:1CT \pm 3%
 CABLE SIDE OCL: 350uH Min @100KHz 0.1V 8mA_{dc}
 CW/W: 27pF Typ @100KHz 0.1V
 INSERTION LOSS: -1.0dB Max @300KHz-100MHz
 RETURN LOSS: -18dB Min @30MHz
 -12dB Min @80MHz

Notes:

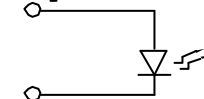
1. Solderability: Leads shall meet MIL-STD-202G, Method 208H for solderability.
2. Flammability: UL94V-0
3. ASTM oxygen index: > 28%
4. Insulation System: Class F 155°C, UL file E151556
5. Operating Temperature Range: All listed parameters are to be within tolerance from -40°C to +85°C
6. Storage Temperature Range: -55°C to +125°C
7. Aqueous wash compatible
8. Electrical and mechanical specifications 100% tested
9. RoHS Compliant Component

Complete the Comba P/N as follows:

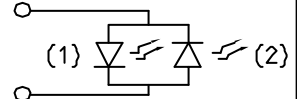
Replace 'x' & 'u' in the part number with one of the LED color letters:
 Y=Yellow
 G=Green
 A=Amber
 R=Red
 C=Green(1)/Amber(2) Bicolor
 D=Amber(1)/Green(2) Bicolor
 M=Green(1)/Yellow(2) Bicolor
 N=Yellow(1)/Green(2) Bicolor
 P=Red(1)/Green(2) Bicolor
 Q=Green(1)/Red(2) Bicolor
 E=Red(1)/Yellow(2) Bicolor
 F=Yellow(1)/Red(2) Bicolor
 H=Amber(1)/Yellow(2) Bicolor
 J=Green(1)/Green(2) Bicolor

'x' = Left LED Color
 'u' = Right LED Color

Single Color LED:



Bi-Color LED:



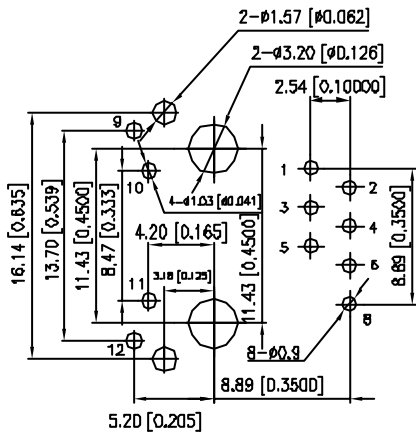
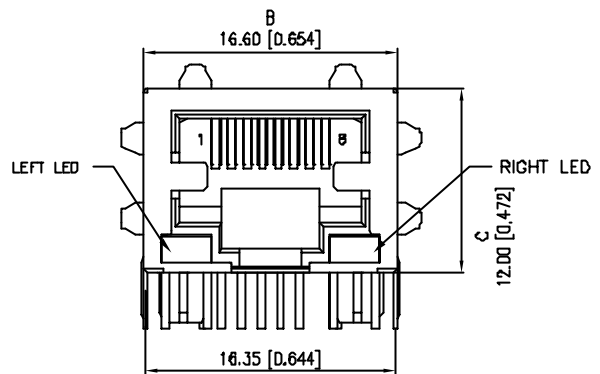
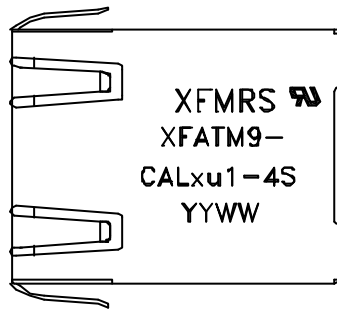
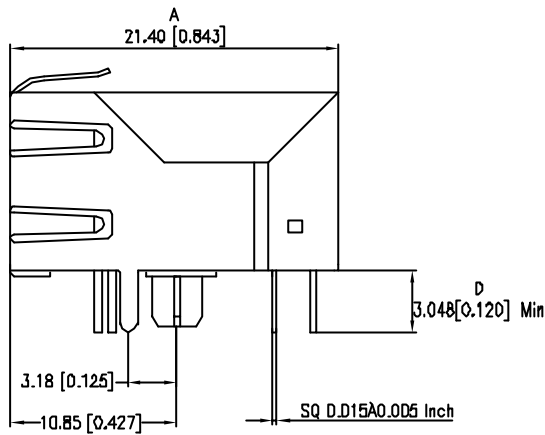
DOC REV: A/6

PROPRIETARY:

Document is the property of XFMRS Group & is not allowed to be duplicated without authorization.

XFMRS Inc www.XFMRS.com	Title: LOW PROFILE SINGLE PORT RJmag CONNECTOR			
	UNLESS OTHERWISE SPECIFIED TOLERANCES:	P/N: XFATM9-CALxu1-4S	REV. A	
.xx \pm 0.25	DWN.	Juan Mao	Dec-19-05	
.xxx \pm 0.010	CHK.	YK Liao	Dec-19-05	
Dimensions in MM/INCH	APP.	BW	Dec-19-05	
SHEET 1 OF 2				

Mechanical Dimensions:



RECOMMENDED PCB LAYOUT

*Remove Pin#7

DOC REV: A/6

PROPRIETARY:

Document is the property of XFMRS Group & is not allowed to be duplicated without authorization.

XFMRS Inc www.XFMRS.com	Title: LOW PROFILE SINGLE PORT RJmag CONNECTOR		
	UNLESS OTHERWISE SPECIFIED TOLERANCES: .xx ±0.25 .xxx ±0.010 Dimensions in MM/INCH	P/N: XFATM9-CALxu1-4S	REV. A
	DWN.	Juan Mao	Dec-19-07
	CHK.	YK Liao	Dec-19-07
SHEET 2 OF 2	APP.	BW	Dec-19-07