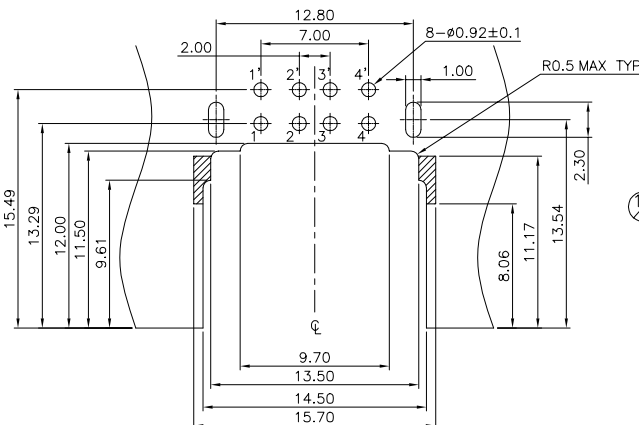
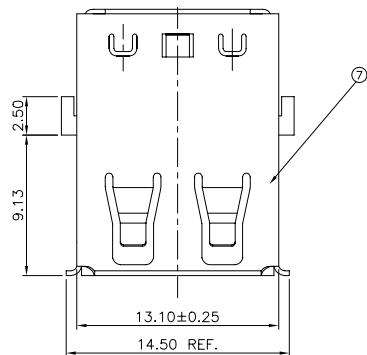


Recommended P.C.B Layout(Component Side)



NOTE:

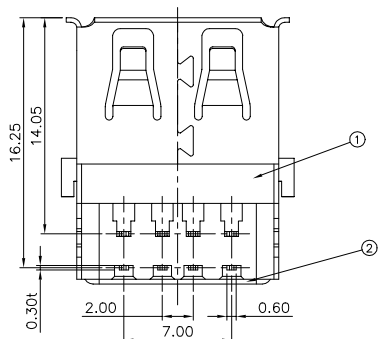
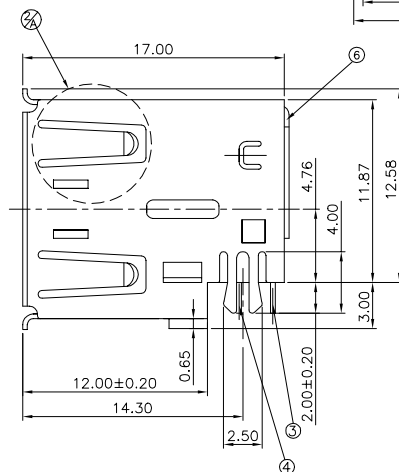
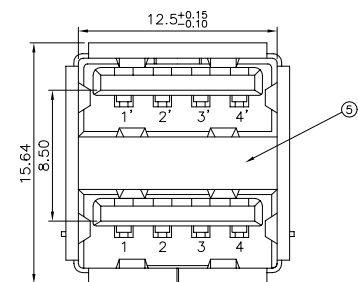
A. 020122MR008 S□ 20ZX(2522AX-08 G□ T -T)

1. Selective plating
 - 'S1(G1T)-05u" select gold in contact/ Min. 100u" tin in solder area
 - 'S2(G2T)-Gold flash in contact area/ Min. 100u" tin in solder area
 - 'S3(G3T)-10u" select gold in contact/ Min. 100" tin in solder area
 - 'S4(G4T)-15u" select gold in contact/ Min. 100u" tin in solder area
 - *'S5(G5T)-30u" select gold in contact/ Min. 100u" tin in solder area
 - *'S6(G6T)-50u" select gold in contact/ Min. 100u" tin in solder area

* 符合 USB協會認證

Dimensional Information

SUYIN P/NO.	SUYIN P/NO.(OLD)	PACKAGE
020122MR008SX20ZU	2522A-08GXT-T	TUBE
020122MR008SX20ZA	2522AY-08GXT-T	TRAY



NO.	DESCRIPTION	MATERIAL	COLOR	REMARK
7	Shell	Copper	—	Nickel Plated
6	Top Shell	Copper	—	Nickel Plated
5	Middle Shell	Copper	—	Nickel Plated
4	Terminal	Pho.Bronze	—	Gold/Tin Plated
3	Terminal	Pho.Bronze	—	Gold/Tin Plated
2	Back-CAP	LCP	Black	UL 94V-0
1	Housing	LCP	Black	UL 94V-0

SUYIN
CONNECTOR

NOTE:

CUSTOMER COPY	TITLE: USB Series A Type R/A Dual Port Dip Type
PART NO.	020122MR008SX20ZX
PART NO. (OLD)	2522AX-08GXT-T
DRAWING NO.	D ING 020122MR008SX20ZX
SCALE	4:1
UNIT	mm
A4	☉

ECN (DCN) NO.	REV	DATE	DESCRIPTION	CHANGE	APPRO.	GENERAL TOLERANCE UNLESS OTHERWISE NOTED	APPRO.
	B		B1,B2: 增加系列表, 變更料號			Angle ±2°	
EC1T-021209-17	A	02/12/09	A1: 增加新料號; A2: 修改側彈片	宋勃逸	宋權哲	30 ~ ±0.50	DRAW 李儒平 02/10/28
	O	02/11/01	NEW	李儒平	宋權哲	10 ~ 30 ±0.30	DESIGN 李儒平 02/10/28
						~ 10 ±0.15	CHECK 宋權哲 02/10/28
							APPRO. 宋權哲 02/10/28