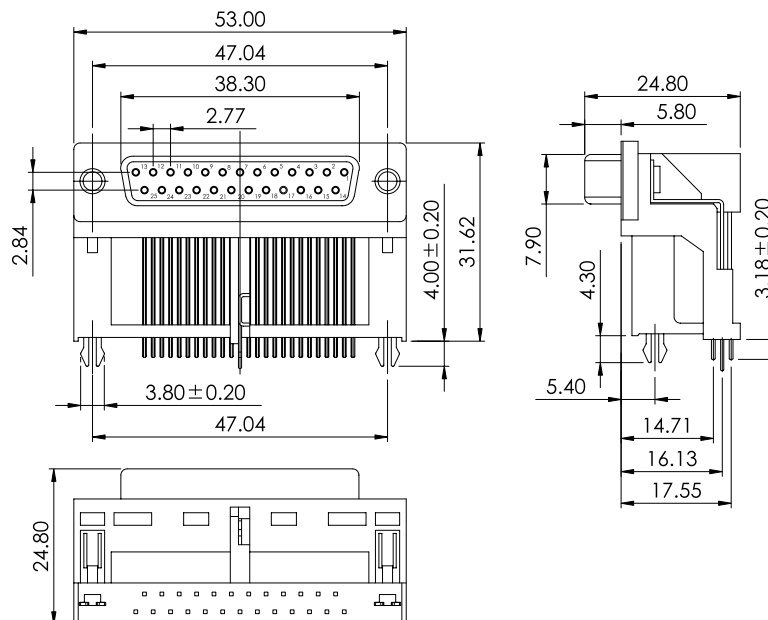




070610FR Series

Specifications:

- **Insulator material** : P.B.T UL 94V-0
- **Operating Type Range** : -40°C TO +105°C
- **Terminal Material** : Phos Bronze
- **Platings** : Selective Gold/Tin
- **Max. Current Rating** : 2.5A
- **Max. Voltage Rating** : 250V AC
- **Dielectric Strength** : 500V AC For 60 Seconds



Desk
Top

Order Information

070610FR025□□18AA
 1 2 3 4 5

1. 'R' : Right Angle DIP Type
 2. No. of Pins
 3. Plating
 4. Color 'A' : Purple
 5. Package
 'A' : Tray Package Without Cap
- Reference Page II

Recommended P.C.B Layout

